

Parts list

Series 4312 split-coupled Vertical In-Line twin pump

7/8" impeller bore - 1 1/4" mechanical seal

File No: 6043T.100

Date: JULY 16, 2012

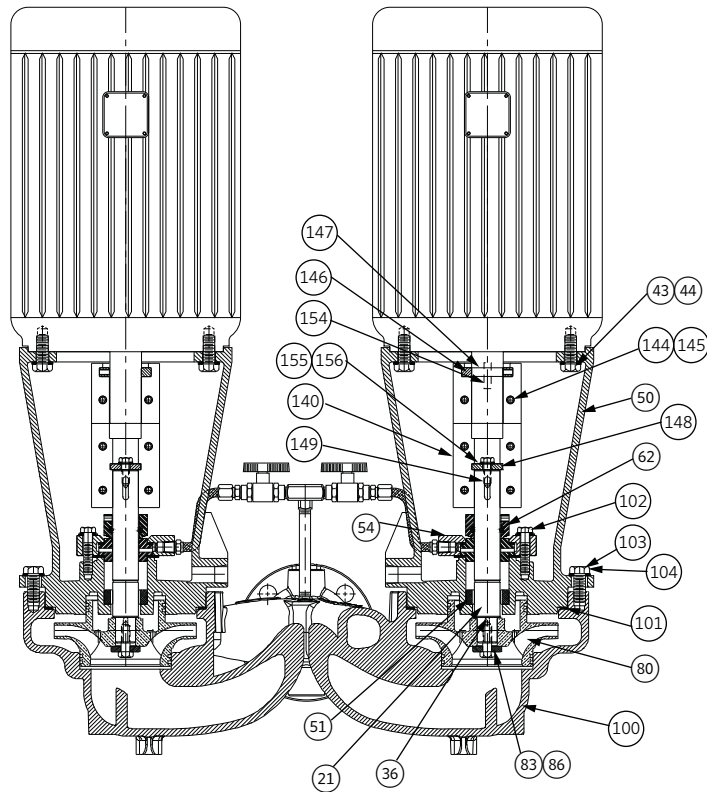
Supersedes: NEW

Date: NEW

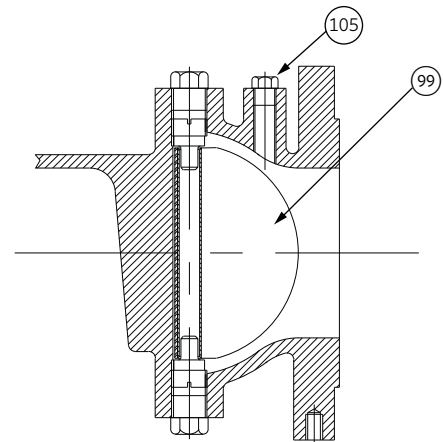
Model 4312

Vertical In-Line twin pump

$\frac{7}{8}$ " IMPELLER BORE - $1\frac{1}{4}$ " MECHANICAL SEAL



4312 CUTAWAY



FLAPPER VALVE ASSEMBLY

Model 4312

Vertical In-Line twin pump

7/8" IMPELLER BORE - 1 1/4" MECHANICAL SEAL

INDEX

ITEM	DESCRIPTION	PAGE	ITEM	DESCRIPTION	PAGE
100	CASING	4	44	LOCK WASHER	13
101	CASING GASKET	4	21	PUMP SHAFT	14
103	CASING CAPSCREW	5	36	IMPELLER KEY	14
104	LOCK WASHER	5		CASING SUPPORT FOOT	14
102	CASING GAUGE PLUG	5	51	SEAL CHAMBER BUSHING	14
99	FLAPPER VALVE ASSEMBLY	6	83	IMPELLER WASHER	14
80	IMPELLER	7	86	IMPELLER CAPSCREW	14
50	PEDESTAL	8	102	GAUGE PLUG	14
	13" - PUMP MOTOR ADAPTER RING (ALL CONSTRUCTIONS)	8	144	COUPLER CAPSCREW	14
	13" - PUMP STUFFING BOX	9	145	LOCK WASHER	14
154	MOTOR KEY	9	148	SHAFT COUPLER COLLAR	14
140	COUPLER	10	149	COUPLER KEY (PUMP SHAFT)	14
	COUPLER OSHA GUARD	11	155	CAPSCREW LOCKWASHER	14
	SCREW ROUND HEAD	11	156	COUPLER COLLAR CAPSCREW	14
	NUT OPEN END	11	62	ARMSTRONG SEAL	15
	WASHER	11	103	CAPSCREW (4 REQUIRED)	15
	BOLT RETAINER	11	104	WASHER (4 REQUIRED)	15
146	MOTOR COUPLER COLLAR SET SCREW	12	54	SEAL COVER	15
147	MOTOR COUPLER COLLAR	12		STANDARD MECHANICAL SEAL (FLUSH LINE) ASSEMBLY	15
43	MOTOR CAPSCREW	13		SERVICE COVER KIT	16

Model 4312

Vertical In-Line twin pump

$\frac{7}{8}$ " IMPELLER BORE - $1\frac{1}{4}$ " MECHANICAL SEAL

ITEM 100 CASING (Without flapper valve assembly and casing wearing-ring)

PUMP SIZE	PART NUMBER ANSI 125 - C.I.
2 × 2 × 6	427759-011
3 × 3 × 6	427311-011
4 × 4 × 6	427832-011
2 × 2 × 8	427828-011
3 × 3 × 8	427803-011
4 × 4 × 8	427830-011
6 × 6 × 8	427831-011
2 × 2 × 10	427758-011
3 × 3 × 10	427829-011
4 × 4 × 10	427827-011
4 × 4 × 13	427802-011
5 × 5 × 13	427383-011

ITEM 101 CASING GASKET

PUMP SIZE	PART NUMBER
2 × 2 × 6	
3 × 3 × 6	426401-002
4 × 4 × 6	
2 × 2 × 8	
3 × 3 × 8	426401-003
4 × 4 × 8	
6 × 6 × 8	
2 × 2 × 10	
3 × 3 × 10	426401-004
4 × 4 × 10	
4 × 4 × 13	426401-005
5 × 5 × 13	

Model 4312

Vertical In-Line twin pump

$\frac{7}{8}$ " IMPELLER BORE - $1\frac{1}{4}$ " MECHANICAL SEAL

ITEM 103 & 104 CASING CAPSCREW & LOCK WASHER

PUMP SIZE	NO. REQUIRED	SIZE	PART NUMBER
2 × 2 × 6	16	CAPSCREW $\frac{1}{2}$ " - 13NC × $1\frac{1}{2}$ " LONG	911125-110
3 × 3 × 6		LOCK WASHER $\frac{1}{2}$ "	927213-100
4 × 4 × 6			
2 × 2 × 8	16	CAPSCREW $\frac{5}{8}$ " - 11NC × $1\frac{1}{2}$ " LONG	911129-112
3 × 3 × 8			
4 × 4 × 8		LOCK WASHER $\frac{5}{8}$ " - SAE FLAT	927215-100
6 × 6 × 8			
2 × 2 × 10	24	CAPSCREW $\frac{5}{8}$ " - 11NC × $1\frac{1}{2}$ " LONG	911129-112
3 × 3 × 10		LOCK WASHER $\frac{5}{8}$ " - SAE FLAT	927215-100
4 × 4 × 10			
4 × 4 × 13	32	CAPSCREW $\frac{5}{8}$ " - 11NC × $2\frac{3}{4}$ " LONG	911129-122
5 × 5 × 13		WASHER $\frac{5}{8}$ " - SAE FLAT	927121-100

ITEM 102 CASING GAUGE PLUG

PUMP SIZE	NO. REQUIRED	MATERIAL	SIZE	PART NUMBER
ALL	4	CAD PLATED	$\frac{1}{4}$ " NPT	937105-201

Model 4312

Vertical In-Line twin pump

$\frac{7}{8}$ " IMPELLER BORE - $1\frac{1}{4}$ " MECHANICAL SEAL

ITEM 99 FLAPPER VALVE ASSEMBLY

PUMP SIZE	PART NUMBER
2 × 2 × 6	FV-50A
3 × 3 × 6	FV-80A
4 × 4 × 6	FV-100A
2 × 2 × 8	FV-50A
3 × 3 × 8	FV-80A
4 × 4 × 8	FV-100A
6 × 6 × 8	FV-150A
2 × 2 × 10	FV-50A
3 × 3 × 10	FV-80A
4 × 4 × 10	FV-100A
4 × 4 × 13	FV-100A
5 × 5 × 13	FV-125A

Model 4312

Vertical In-Line twin pump

$\frac{7}{8}$ " IMPELLER BORE - $1\frac{1}{4}$ " MECHANICAL SEAL

ITEM 80 IMPELLER**

PUMP SIZE	MATERIAL	IMPELLER BORE	MAXIMUM DIAMETER	PART NUMBER
2 × 2 × 6	BRONZE	$\frac{7}{8}$ "	6.188"	427109-041
		$1\frac{1}{4}$ "		N/A
3 × 3 × 6	BRONZE	$\frac{7}{8}$ "	6.188"	427103-041
		$1\frac{1}{4}$ "		N/A
4 × 4 × 6	BRONZE	$\frac{7}{8}$ "	6.188"	427115-041
		$1\frac{1}{4}$ "		427116-041
2 × 2 × 8	BRONZE	$\frac{7}{8}$ "	8.188"	427121-041
		$1\frac{1}{4}$ "		427122-041
3 × 3 × 8	BRONZE	$\frac{7}{8}$ "	8.188"	427129-041
		$1\frac{1}{4}$ "		427130-041
4 × 4 × 8	BRONZE	$\frac{7}{8}$ "	8.188"	427137-041
		$1\frac{1}{4}$ "		427138-041
6 × 6 × 8	BRONZE	$\frac{7}{8}$ "	8.188"	427139-041
		$1\frac{1}{4}$ "		427140-041
2 × 2 × 10	BRONZE	$\frac{7}{8}$ "	10.187"	427179-041
		$1\frac{1}{4}$ "		427180-041
3 × 3 × 10	BRONZE	$\frac{7}{8}$ "	10.188"	427163-041
		$1\frac{1}{4}$ "		427164-041
4 × 4 × 10	BRONZE	$\frac{7}{8}$ "	10.188"	427149-041
		$1\frac{1}{4}$ "		427150-041
4 × 4 × 13	BRONZE	$\frac{7}{8}$ "	13.180"	N/A
		$1\frac{1}{4}$ "		427169-041
5 × 5 × 13	BRONZE	$1\frac{1}{4}$ "	13.188"	427186-041

NOTE:

** Impeller part numbers are for full or maximum diameter impellers. Always specify pump serial number and where possible, measure and indicate the diameter of the impeller being replaced on these pumps.

8

Model 4312

Vertical In-Line twin pump

 $\frac{7}{8}$ " IMPELLER BORE - $1\frac{1}{4}$ " MECHANICAL SEAL

ITEM 50 PEDESTAL

PUMP SIZE	MOTOR FRAME					
	143-145TC	182-184TC	213-215TC	254-256TC	284-286TSC	324-326TSC
2 × 2 × 6	427700-011	427703-011	427703-011	427703-011		
3 × 3 × 6	427700-011	427703-011	427703-011	427703-011		
4 × 4 × 6	427700-011	427703-011	427703-011	427703-011		
2 × 2 × 8	427701-011	427704-011	427704-011	427704-011	427707-011	
3 × 3 × 8	427701-011	427704-011	427704-011	427704-011	427707-011	427710-011
4 × 4 × 8	427701-011	427704-011	427704-011	427704-011		
6 × 6 × 8		427704-011	427704-011	427704-011		
2 × 2 × 10	427702-011	427705-011	427705-011	427705-011	427708-011	427711-011
3 × 3 × 10	427702-011	427705-011	427705-011	427705-011	427708-011	427711-011
4 × 4 × 10	427702-011	427705-011	427705-011	427705-011	427708-015	427711-015
4 × 4 × 13			427840-011	427840-011	427841-011*	427842-011**
5 × 5 × 13			427840-011	427840-011	427841-011*	427842-011**

NOTE:

- Part numbers are for bronze fitted construction.

* 284-286TC

** 324-326TC

13" PUMPS MOTOR ADAPTER RING ALL CONSTRUCTIONS

MECHANICAL SEAL	MOTOR FRAME	MATERIAL	PART NUMBER
ALL	284 - 286TC	STEEL	427850-000

Model 4312

Vertical In-Line twin pump

7/8" IMPELLER BORE - 1 1/4" MECHANICAL SEAL

13" PUMPS STUFFING BOX

PUMP SIZE	MOTOR FRAME	MATERIAL	PART NUMBER
13" PUMPS	ALL	CAST IRON	427884-011

ITEM 154 MOTOR KEY

PUMP SIZE	MOTOR FRAME					
	143-145TC	182-184TC	213-215TC	254-256TC	284-286TSC	324-326TSC
2 × 2 × 6	428160-708	428161-712	428162-115	428163-714		
3 × 3 × 6	428160-708	428161-712	428162-115	428163-714		
4 × 4 × 6	428160-708	428161-712	428162-115	428163-714		
2 × 2 × 8	428160-708	428161-712	428162-115	428163-714	428163-714	
3 × 3 × 8	428160-708	428161-712	428162-115	428163-714	428163-714	428164-112
4 × 4 × 8	428160-708	428161-712	428162-115	428163-714		
6 × 6 × 8		428161-712	428162-115	428163-714		
2 × 2 × 10	428160-708	428161-712	428162-115	428163-714	428163-714	428164-112
3 × 3 × 10	428160-708	428161-712	428162-115	428163-714	428163-714	428164-112
4 × 4 × 10	428160-708	428161-712	428162-115	428163-714	428163-714	428164-112
4 × 4 × 13			428162-115	428163-714	428164-116*	428164-116**
5 × 5 × 13			428162-115	428163-714	428164-116*	428164-116**

NOTE:

* 284-286TC

** 324-326TC

10

Model 4312

Vertical In-Line twin pump

 $\frac{7}{8}$ " IMPELLER BORE - $1\frac{1}{4}$ " MECHANICAL SEAL

ITEM 140 COUPLER

PUMP SIZE	MOTOR FRAME					
	143-145TC	182-184TC	213-215TC	254-256TC	284-286TSC	324-326TSC
2 × 2 × 6	427731-000	427732-000	427733-000	427734-000		
3 × 3 × 6	427731-000	427732-000	427733-000	427734-000		
4 × 4 × 6	427731-000	427732-000	427733-000	427734-000		
2 × 2 × 8	427731-000	427732-000	427733-000	427734-000	427735-000	
3 × 3 × 8	427731-000	427732-000	427733-000	427734-000	427735-000	427737-000
4 × 4 × 8	427731-000	427732-000	427733-000	427734-000		
6 × 6 × 8		427732-000	427733-000	427734-000		
2 × 2 × 10	427731-000	427732-000	427733-000	427734-000	427735-000	427737-000
3 × 3 × 10	427731-000	427732-000	427733-000	427734-000	427735-000	427737-000
4 × 4 × 10	427731-000	427732-000	427733-000	427734-000	427735-000	427737-000
4 × 4 × 13			427865-000	427866-000	427736-000*	427738-000**
5 × 5 × 13			427865-000	427866-000	427736-000*	427738-000**

NOTE:

* 284-286TC

** 324-326TC

Model 4312

Vertical In-Line twin pump

7/8" IMPELLER BORE - 1 1/4" MECHANICAL SEAL

COUPLER OSHA GUARD

PUMP SIZE	MOTOR FRAME					
	143-145TC	182-184TC	213-215TC	254-256TC	284-286TC	324-326TC
2 × 2 × 6						
3 × 3 × 6	427761-201	427761-102	427761-102	427761-102	—	—
4 × 4 × 6	427761-601	427761-502	427761-502	427761-502		
2 × 2 × 8						—
3 × 3 × 8	427761-103 427761-503	427761-104 427761-504	427761-104 427761-504	427761-104 427761-504	427761-205 427761-605	427761-106 427761-506
4 × 4 × 8					—	—
6 × 6 × 8	—					
2 × 2 × 10						
3 × 3 × 10	427761-207	427761-208	427761-208	427761-208	427761-109	427761-110
4 × 4 × 10	427761-607	427761-608	427761-608	427761-608	427761-509	427761-510
4 × 4 × 13	—	—	427761-114	427761-114	427761-114*	427761-115**
5 × 5 × 13			427761-514	427761-514	427761-514*	427761-515**

NOTE:

* 284-286TC

** 324-326TC

COUPLER GUARD FASTENERS

DESCRIPTION	QTY REQUIRED	SIZE	PART NUMBER
SCREW ROUND HEAD	4	#10 - 24NC × 2"	916264-132
NUT OPEN END	4	#10 - 24NC	921903-100
WASHER	4	#10	927156-100
BOLT RETAINER	4	#10	927507-100

Model 4312

Vertical In-Line twin pump

$\frac{7}{8}$ " IMPELLER BORE - $1\frac{1}{4}$ " MECHANICAL SEAL

ITEM 146 MOTOR COUPLER COLLAR SET SCREW

IMPELLER BORE	MOTOR FRAME	PART NUMBER
$\frac{7}{8}$ "	143-215TC	916517-106
$\frac{7}{8}$ "	254-256TC	916519-106
$1\frac{1}{4}$ "	182-365TC(S)	916519-106

ITEM 147 MOTOR COUPLER COLLAR

PUMP SIZE	MOTOR FRAME					
	143-145TC	182-184TC	213-215TC	254-256TC	284-286TSC	324-326TSC
2 × 2 × 6	427748-000	427749-000	427750-000	427751-000		
3 × 3 × 6	427748-000	427749-000	427750-000	427751-000		
4 × 4 × 6	427748-000	427749-000	427750-000	427751-000		
2 × 2 × 8	427748-000	427749-000	427750-000	427751-000	427751-000	
3 × 3 × 8	427748-000	427749-000	427750-000	427751-000	427751-000	427752-000
4 × 4 × 8	427748-000	427749-000	427750-000	427751-000		
6 × 6 × 8		427749-000	427750-000	427751-000		
2 × 2 × 10	427748-000	427749-000	427750-000	427751-000	427751-000	427752-000
3 × 3 × 10	427748-000	427749-000	427750-000	427751-000	427751-000	427752-000
4 × 4 × 10	427748-000	427749-000	427750-000	427751-000	427751-000	427752-000
4 × 4 × 13			427750-000	427751-000	427752-000*	427753-000**
5 × 5 × 13			427750-000	427751-000	427752-000*	427753-000**

NOTE:

* 284-286TC

** 324-326TC

Model 4312

Vertical In-Line twin pump

7/8" IMPELLER BORE - 1 1/4" MECHANICAL SEAL

ITEM 43 & 44 MOTOR CAPSCREW & LOCKWASHER

PUMP SIZE	MOTOR FRAME					
	143-145TC	182-184TC	213-215TC	254-256TC	284-286TSC	324-326TSC
	8 REQUIRED	8 REQUIRED	8 REQUIRED	8 REQUIRED	8 REQUIRED	12 REQUIRED
2 x 2 x 6	CAPSCREW 3/8" - 16 x 1"	CAPSCREW 1/2" - 13NC x 1 1/4" LONG	CAPSCREW 1/2" - 13NC x 1 1/4" LONG	CAPSCREW 1/2" - 13NC x 1 1/4" LONG		
3 x 3 x 6	PART #: 911121-108	PART #: 911125-110	PART #: 911125-110	PART #: 911125-110		
4 x 4 x 6						
2 x 2 x 8†	LOCK WASHER 3/8" FLAT	LOCK WASHER 1/2" FLAT	LOCK WASHER 1/2" FLAT	LOCK WASHER 1/2" FLAT	CAPSCREW 1/2" - 13NC x 1 1/4" LONG	
3 x 3 x 8	PART #: 927211-100	PART #: 927213-100	PART #: 927213-100	PART #: 927213-100	PART #: 911125-110	CAPSCREW 5/8" - 11NC x 1 1/2" LONG
4 x 4 x 8*†						PART #: 911129-112
6 x 6 x 8*†					LOCK WASHER 1/2" FLAT	
2 x 2 x 10					PART #: 927213-100	LOCK WASHER 1/2" FLAT
3 x 3 x 10						PART #: 927215-100
4 x 4 x 10						
4 x 4 x 13			CAPSCREW 1/2" - 13NC x 1 3/4" LONG	CAPSCREW 1/2" - 13NC x 1 3/4" LONG	CAPSCREW 1/2" - 13NC x 2 1/4" LONG	CAPSCREW 5/8" - 11NC x 1 3/4" LONG
5 x 5 x 13			PART #: 911125-114	PART #: 911125-114	PART #: 911125-118**	PART #: 911129-114‡
			LOCK WASHER 1/2" FLAT	LOCK WASHER 1/2" FLAT	LOCK WASHER 1/2" FLAT	LOCK WASHER PART #: 927215-100‡
			PART #: 927213-100	PART #: 927213-100	PART #: 927213-100**	

NOTE:

- 4x4x8 and 6x6x8 without 280TSC and 320TSC
- 6x6x8 without 140TC

* 4x4x8 and 6x6x8 not for 143-145TC

† 2x2x8, 4x4x8 and 6x6x8 not for 324-326TSC

** 284-286TC

‡ 324-326TC

Model 4312

Vertical In-Line twin pump

7/8" IMPELLER BORE - 1 1/4" MECHANICAL SEAL

COMMON PARTS

ITEM NO.	DESCRIPTION	MECHANICAL SEAL	PART NUMBER
21	PUMP SHAFT	1 1/8 "	427713-000
		1 5/8 "	427714-000
36	IMPELLER KEY	1 1/8 "	428160-708
		1 5/8 "	428161-714
51	SEAL CHAMBER BUSHING	1 1/8 "	425520-002
		1 5/8 "	425520-001
83	IMPELLER WASHER	1 1/8 "	425742-001
		1 5/8 "	425742-003
86	IMPELLER CAPSCREW	1 1/8 "	911900-114
		1 5/8 "	911900-119
102	GAUGE PLUG (8 REQUIRED) 1/4" NPT CAD. PLATED	1 1/8 "	937105-201
		1 5/8 "	
144	COUPLER CAPSCREW (12 REQUIRED) FRAMES 143 TO 215TC	1 1/8 "	911819-112
	COUPLER CAPSCREW (12 REQUIRED) FRAME 254/256TC		911821-116
	COUPLER CAPSCREW (6 REQUIRED) FRAMES 182-365TC & 324-446TSC		911819-116
145	LOCK WASHER (12 REQUIRED) FRAMES 143 TO 215TC	1 1/8 "	927210-100
	LOCK WASHER (12 REQUIRED) FRAME 254/256TC		927211-100
	LOCK WASHER (12 REQUIRED) FRAMES 182-365TC & 324-446TSC		927211-100
148	SHAFT COUPLER COLLAR	1 1/8 "	427756-000
		1 5/8 "	427757-000
149	COUPLER KEY (PUMP SHAFT)	1 1/8 "	428161-106
		1 5/8 "	428163-712
155	CAPSCREW LOCK WASHER	1 1/8 "	927211-400
		1 5/8 "	927213-400
156	COUPLER COLLAR CAPSCREW	1 1/8 "	911121-106
		1 5/8 "	911125-408

Model 4312

Vertical In-Line twin pump

7/8" IMPELLER BORE - 1 1/4" MECHANICAL SEAL

COMMON PARTS

ITEM NO.	DESCRIPTION	MECHANICAL SEAL	PART NUMBER	
62	ARMSTRONG SEAL	1 1/8 "	975002-304	
		1 5/8 "	975002-334	
	DURAMETALLIC STD. SEAL	1 1/8 "	975002-003	
		1 5/8 "	975002-033	
	DURAMETALLIC T.C.	1 1/8 "	975002-001	
		1 5/8 "	975002-031	
	JOHN CRANE STD.	1 1/8 "	975000-955	
		1 5/8 "	975000-956	
	JOHN CRANE T.C.	1 1/8 "	975000-965	
		1 5/8 "	975000-966	
	103	CAPSCREW (4 REQUIRED)	1 1/8 "	911121-416
			1 5/8 "	911125-414
104	WASHER (4 REQUIRED)	1 1/8 "	927114-000	
		1 5/8 "	927118-000	
54	SEAL COVER	1 1/8 "	426484-003	
		1 5/8 "	426485-003	

STANDARD MECHANICAL SEAL (FLUSH LINE) ASSEMBLY

Call factory

Model 4312

Vertical In-Line twin pump

$\frac{7}{8}$ " IMPELLER BORE - $1\frac{1}{4}$ " MECHANICAL SEAL

SERVICE COVER KIT

(Kit includes one blanking plate and one casing gasket)

PUMP SIZE	PART NUMBER
2 × 2 × 6	
3 × 3 × 6	427804-0612
4 × 4 × 6	
<hr/>	
2 × 2 × 8	
3 × 3 × 8	427804-0812
4 × 4 × 8	
6 × 6 × 8	
<hr/>	
2 × 2 × 10	
3 × 3 × 10	427804-1012
4 × 4 × 10	
<hr/>	
4 × 4 × 13	427804-1312
5 × 5 × 13	

TORONTO

+416 755 2291

BUFFALO

+716 693 8813

BIRMINGHAM

+44 (0) 8444 145 145

MANCHESTER

+44 (0) 8444 145 145

BANGALORE

+91 (0) 80 4906 3555

SHANGHAI

+86 21 3756 6696

ARMSTRONG INTEGRATED
ESTABLISHED 1934

ARMSTRONGINTEGRATED.COM