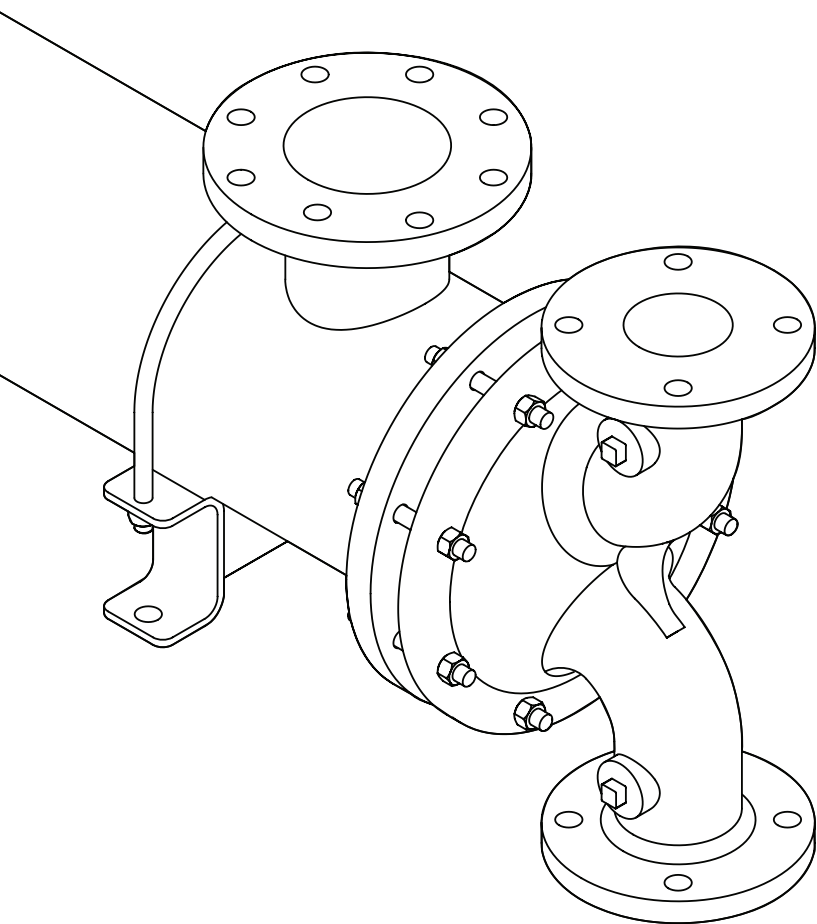


Shell and Tube Heat Exchangers

Parts list

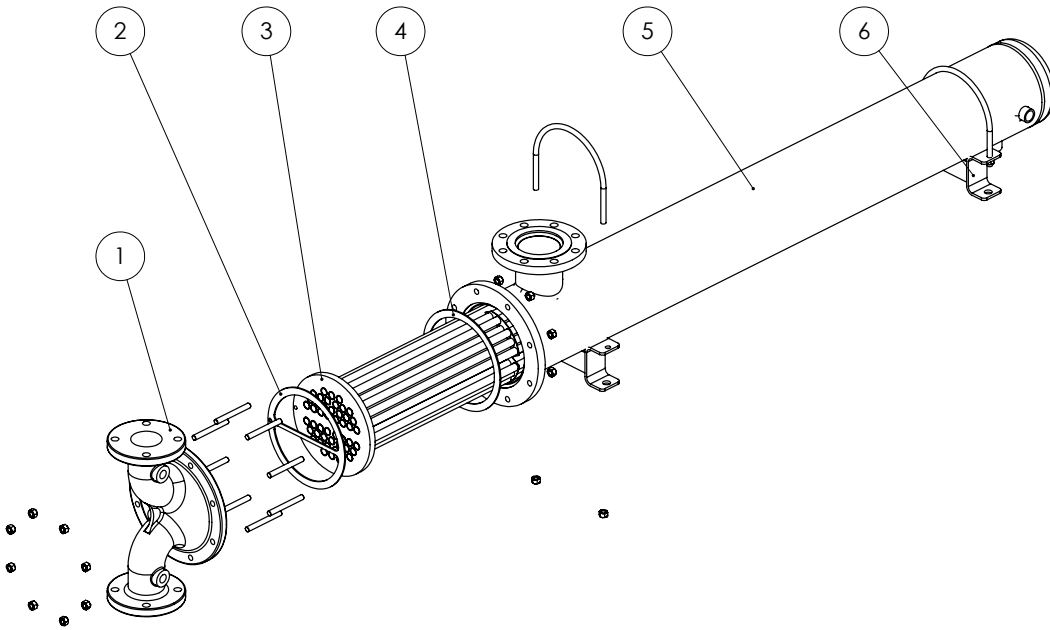
File No: 6112.10
Date: MAY 08, 2014
Supersedes: 6112.10
Date: APRIL 08, 2014



Shell & Tube

Heat Exchangers

Typical section view



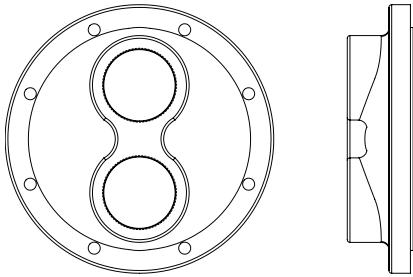
INDEX

ITEM	DESCRIPTION
①	Heat Exchanger Head
②	Head gasket
③	Tube bundle
④	Shell gasket
⑤	Shell
⑥	Support feet

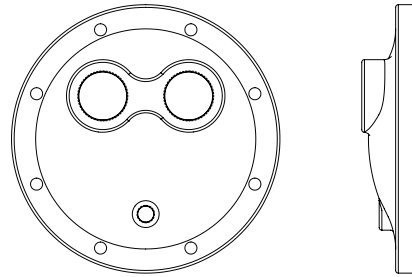
Shell & Tube Heat Exchangers

HEAT EXCHANGERS

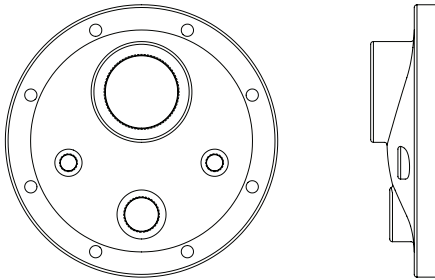
TYPE #1 (2PASS)



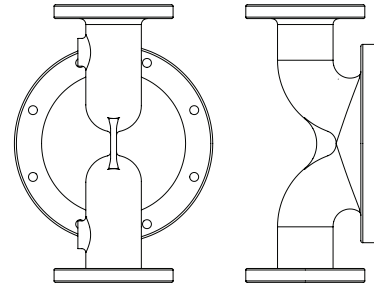
TYPE #1 (4PASS)



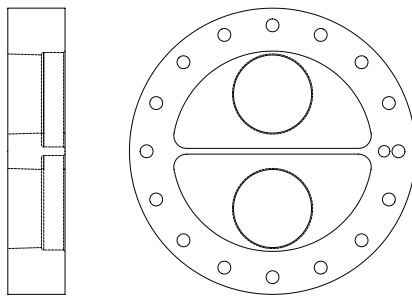
TYPE #1 (STEAM)



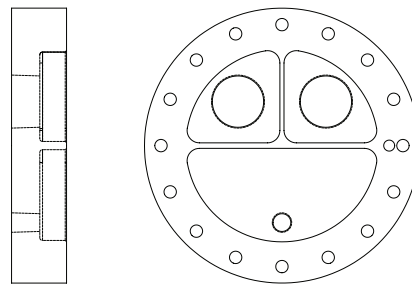
TYPE #2 (2PASS)



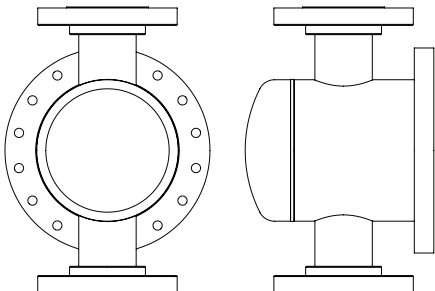
TYPE #3 (2PASS)



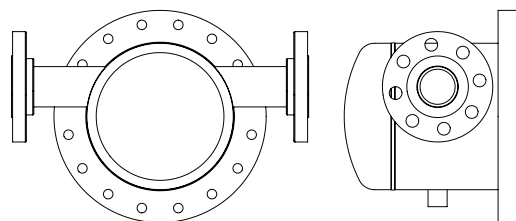
TYPE #3 (4PASS)



TYPE #4 (2PASS)



TYPE #4 (4PASS)



STANDARD GASKET

SIZE	2 PASS	4 PASS	SHELL	2 PASS	4 PASS	SHELL
	150# & 300#	150# & 300#	150# & 300#	400#	400#	400#
4"	691301-001	691302-001	691300-001	692270-001	692271-001	692280-001
6"	691301-002	691302-002	691300-002	692270-002	692271-002	692280-002
8"	691301-003	691302-003	691300-003	692270-003	692271-003	692280-003
10"	691301-004	691302-004	691300-004	692270-004	692271-004	692280-004
12"	691301-005	691302-005	691300-005	692270-005	692271-005	692280-005
14"	691301-006	691302-006	691300-006	—	—	—
16"	691301-007	691302-007	691300-007	—	—	—
18"	691301-008	691302-008	691300-008	—	—	—
20"	691301-009	691302-009	691300-009	—	—	—
22"	691301-010	691302-010	691300-010	—	—	—
24"	691301-011	691302-011	691300-011	—	—	—
26"	691301-012	691302-012	691300-012	—	—	—
28"	691301-013	691302-013	691300-013	—	—	—
30"	691301-014	691302-014	691300-014	—	—	—

MATERIAL GROUPS

691300 to 691302	Non asbestos
692270 to 692280	Spiralwound

STANDARD #1 & #2 HEADS

SIZE	2 PASS	4 PASS	STEAM	2 PASS
	#1	#1	#1	#2
4"	8606117	8606118	8606119	8615359
6"	8606134	8606135	8606136	8615361
8"	8606159	8606160	8606161	8615909
10"	8606849	8606850	8606851	8614847
12"	8606913	8606914	8606915	8614848
14"	8606916	8606917	8606918	8614849
16"	8606919	8606920	8607570	8614850
18"	8617171	8617172	—	8614236
20"	8612605	8612606	—	8614851
22"	—	—	—	—
24"	—	—	—	—
26"	—	—	—	—
28"	—	—	—	—
30"	—	—	—	—

MATERIAL GROUPS

-011	Cast iron
-041	Cast bronze

STANDARD #3 HEADS

SIZE	2 PASS	4 PASS	2 PASS	2 PASS	4 PASS	2 PASS	4 PASS
	150#	150#	150#	300#	300#	400#	400#
	STM HD						
4"	8693731	8693732	8693733	8693464	8693465	8692355	8692350
6"	8693734	8693735	8693736	8693467	8693468	8692356	8692351
8"	8693737	8693738	8693739	8693470	8693471	8692357	8692352
10"	8693740*	8693741	8693742*	8693473	8693474	8692358	8692353
12"	8693743*	8693744*	8693745	8693476	8693477	8692359	8692354
14"	—	—	—	—	—	—	—
16"	—	—	—	—	—	—	—
18"	—	—	—	—	—	—	—
20"	—	—	—	—	—	—	—
22"	—	—	—	—	—	—	—
24"	—	—	—	—	—	—	—
26"	—	—	—	—	—	—	—
28"	—	—	—	—	—	—	—
30"	—	—	—	—	—	—	—

*Rated for 125#

MATERIAL GROUPS	
-011	Carbon steel
-072	Stainless steel (316L)

STANDARD CARBON STEEL #4 HEADS

SIZE	2 PASS	4 PASS
	150#	150#
4"	8614935	8614943
6"	8614936	8614944
8"	8614937	8614945
10"	8614938	8614946
12"	8614468	8614471
14"	8614939	8614947
16"	8614940	8614948
18"	8614941	8614949
20"	8614905	8614950
22"	8692520	8692521
24"	8692522	8692523
26"	8692524	8692525
28"	8692526	8692527
30"	8692528	8692529

MATERIAL GROUPS	
-011	Carbon steel

TORONTO

23 BERTRAND AVENUE
TORONTO, ONTARIO
CANADA
M1L 2P3
+1 416 755 2291

BUFFALO

93 EAST AVENUE
NORTH TONAWANDA, NEW YORK
U.S.A.
14120-6594
+1 716 693 8813

BIRMINGHAM

HEYWOOD WHARF, MUCKLOW HILL
HALESOWEN, WEST MIDLANDS
UNITED KINGDOM
B62 8DJ
+44 (0) 8444 145 145

MANCHESTER

WOLVERTON STREET
MANCHESTER
UNITED KINGDOM
M11 2ET
+44 (0) 8444 145 145

BANGALORE

#59, FIRST FLOOR, 3RD MAIN
MARGOSA ROAD, MALLESWARAM
BANGALORE, INDIA
560 003
+91 (0) 80 4906 3555

SHANGHAI

NO. 1619 HU HANG ROAD, XI DU TOWNSHIP
FENG XIAN DISTRICT, SHANGHAI
P.R.C.
201401
+86 21 3756 6696

**MAKING
ENERGY
MAKE
SENSE™**