

Series 4300 Vertical in-line

Equal suction & discharge 'S' designation

Parts list

TC motors only, groups 1 to 4

$\frac{7}{8}$ " impeller bore

$1\frac{1}{8}$ " mechanical seal or
packing gland

File No: 6043.132

Date: DECEMBER 04, 2015

Supersedes: 6043.132

Date: OCTOBER 15, 2013

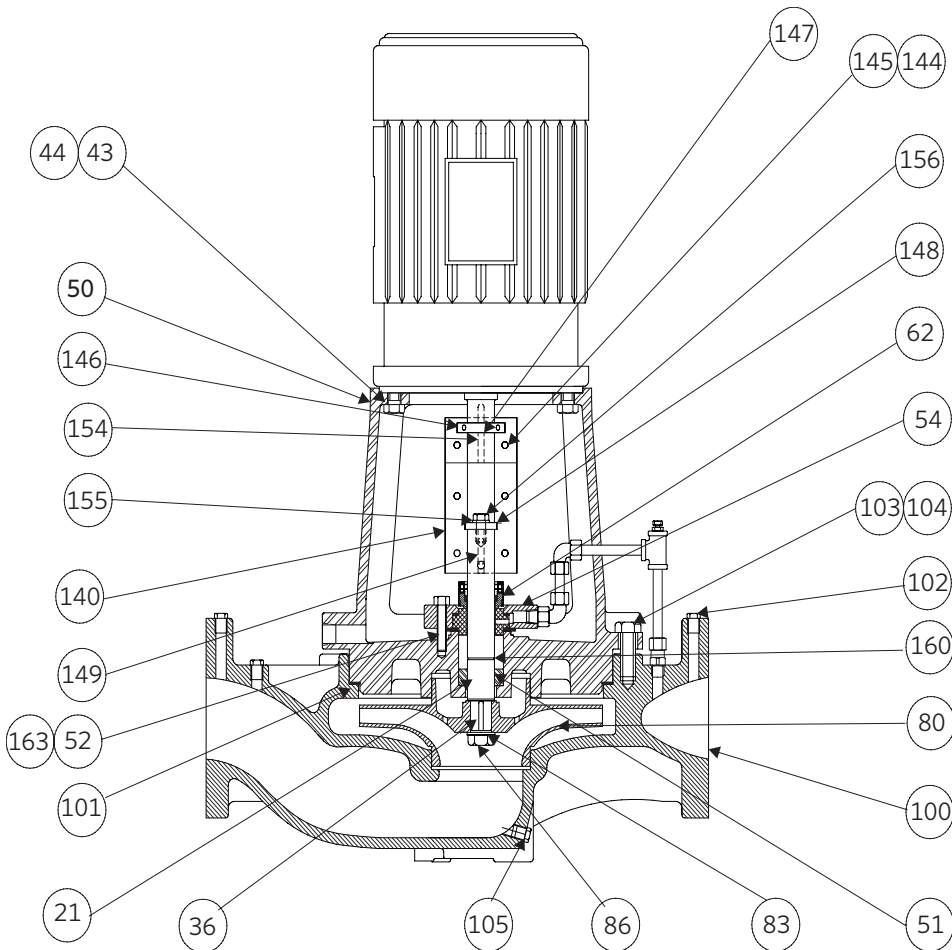
4300 POWER FRAMES: ALL SPEEDS

PUMP SIZE	GROUP NUMBER	MOTOR FRAME									
		143 145	182 184	FT215 213 215	254 256	284 286	324 326	FF300/FF350 364 365	404 405	444 445	447 449
1 1/2 x 1 x 6	1	TC	—	—	—	—	—	—	—	—	—
	2	—	TC	—	—	—	—	—	—	—	—
2 x 2 x 6	1	TC	—	—	—	—	—	—	—	—	—
	2	—	TC	—	—	—	—	—	—	—	—
	3	—	—	TC	—	—	—	—	—	—	—
3 x 3 x 6	1	TC	—	—	—	—	—	—	—	—	—
	2	—	TC	—	—	—	—	—	—	—	—
	3	—	—	TC	—	—	—	—	—	—	—
	4	—	—	—	TC	—	—	—	—	—	—
4 x 4 x 6	1	TC	—	—	—	—	—	—	—	—	—
	2	—	TC	—	—	—	—	—	—	—	—
	3	—	—	TC	—	—	—	—	—	—	—
	4	—	—	—	TC	—	—	—	—	—	—
1 1/2 x 1 1/2 x 8	1	TC	—	—	—	—	—	—	—	—	—
	2	—	TC	—	—	—	—	—	—	—	—
	3	—	—	TC	—	—	—	—	—	—	—
2 x 2 x 8	1	TC	—	—	—	—	—	—	—	—	—
	2	—	TC	—	—	—	—	—	—	—	—
	3	—	—	TC	—	—	—	—	—	—	—
	4	—	—	—	TC	—	—	—	—	—	—
	5	—	—	—	—	—	—	—	—	—	—
3 x 3 x 8	1	TC	—	—	—	—	—	—	—	—	—
	2	—	TC	—	—	—	—	—	—	—	—
	3	—	—	TC	—	—	—	—	—	—	—
	4	—	—	—	TC	—	—	—	—	—	—
	5	—	—	—	—	—	—	—	—	—	—
	6	—	—	—	—	—	—	—	—	—	—
4 x 4 x 8	1	TC	—	—	—	—	—	—	—	—	—
	2	—	TC	—	—	—	—	—	—	—	—
	3	—	—	TC	—	—	—	—	—	—	—
	4	—	—	—	TC	—	—	—	—	—	—
	5	—	—	—	—	—	—	—	—	—	—
	6	—	—	—	—	—	—	—	—	—	—
5 x 5 x 8	1	TC	—	—	—	—	—	—	—	—	—
	2	—	TC	—	—	—	—	—	—	—	—
	3	—	—	TC	—	—	—	—	—	—	—
	4	—	—	—	TC	—	—	—	—	—	—
	5	—	—	—	—	—	—	—	—	—	—
	6	—	—	—	—	—	—	—	—	—	—
6 x 6 x 8	2	—	TC	—	—	—	—	—	—	—	—
	3	—	—	TC	—	—	—	—	—	—	—
	4	—	—	—	TC	—	—	—	—	—	—
8 x 8 x 8	2	—	TC	—	—	—	—	—	—	—	—
	3	—	—	TC	—	—	—	—	—	—	—
	4	—	—	—	TC	—	—	—	—	—	—
	4	—	—	—	—	TC	—	—	—	—	—

4300 POWER FRAMES: ALL SPEEDS (continued)

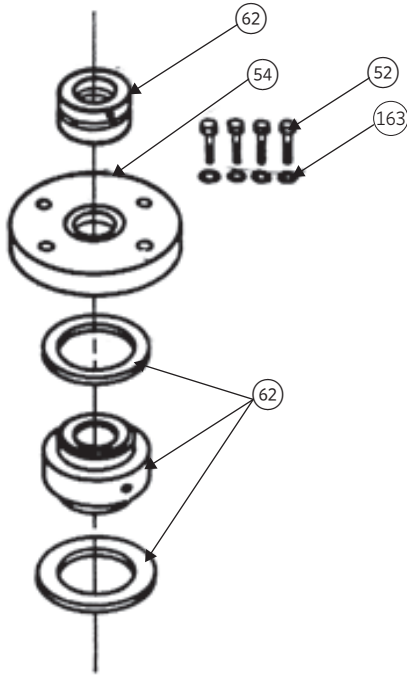
4300 GROUP NUMBER		1	2	3	4
SEAL SIZE AND PUMP SHAFT DIAMETER		$1\frac{1}{8}$	$1\frac{1}{8}$	$1\frac{1}{8}$	$1\frac{1}{8}$
IMPELLER BORE		$\frac{7}{8}$	$\frac{7}{8}$	$\frac{7}{8}$	$\frac{7}{8}$
COUPLING BORE	MOTOR SHAFT DIAMETER	$\frac{7}{8}$	$1\frac{1}{8}$	$1\frac{3}{8}$	$1\frac{1}{2}$
	PUMP SHAFT DIAMETER	$1\frac{1}{8}$	$1\frac{1}{8}$	$1\frac{1}{8}$	$1\frac{1}{8}$
SHAFT GAP BETWEEN PUMP AND MOTOR		$1\frac{3}{8}$	$2\frac{1}{2}$	2	$1\frac{3}{8}$

CROSS SECTION VIEW

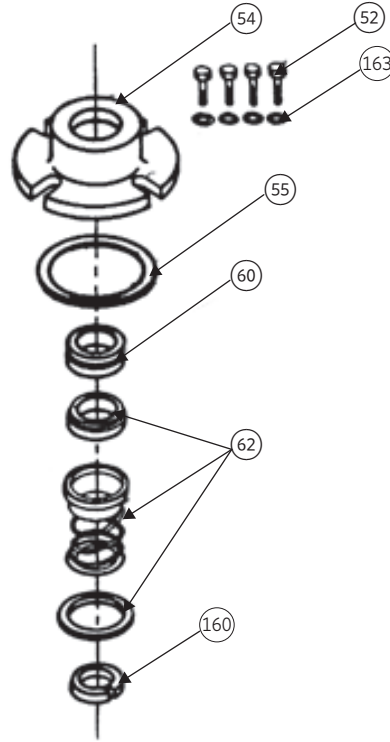


MECHANICAL SEAL

Exploded view



OUTSIDE MECHANICAL SEAL



INSIDE MECHANICAL SEAL

INDEX

ITEM	DESCRIPTION	PAGE
21	Shaft	22
36	Impeller key	22
43	Lockwasher	
44	Motor capscrew	18
50	Stuffing box/adapter	14 to 16
51	Seal chamber bushing	22
52	Seal cover capscrew	23
54	Seal cover	22
55	Inside seal cover gasket	23
58	Male straight connector	23
59	Tubing	23
60	Inside seal seat	
62	Outside mechanical seal John crane STD.	22
62	Outside mechanical seal John crane T.C.	22
62	Outside mechanical seal Durametallic STD.	22
62	Outside mechanical seal Durametallic T.C.	22
62	Inside mechanical seal head B.F. & A.I. construction	23
63	1/4" NPT tee	23
68	Air vent	23
80	Impeller	9&10
83	Impeller washer	22
86	Impeller capscrew	22
90	Case wear ring	12&13

ITEM	DESCRIPTION	PAGE
100	Casing	7&8
101	Casing gasket	10
102	Gauge plug	22
103	Casing capscrew washer	11
104	Casing capscrew	11
105	Casing drain plug	12
140	Coupler	21
144	Coupler capscrew	22
145	Lockwasher	22
146	Coupler collar set screw	19
147	Shaft coupler collar	19
148	Motor coupler collar	22
149	Coupler square key (pump)	22
150	Coupling guard (not shown)	17
151	Coupler guard bolt (not shown)	17
152	Nut (not shown)	17
153	Washer (not shown)	17
154	Coup. Square key (motor)	20
155	Capscrew lockwasher	22
156	Shaft capscrew	22
160	Inside seal retaining ring	23
163	Seal cover capscrew washer	23
194	Male 90° angle connection	23

ITEM 100 CASING**

PUMP SIZE	PRESSURE RATING (LB)	CONSTRUCTION	PART NUMBER
1 1/2 x 1 1/2 x 6	125#	Cast iron	427035-011
	250#	Ductile iron	427036-031
	125#	All bronze	427035-041
2 x 2 x 6	125#	Cast iron	427037-011
	250#	Ductile iron	427038-031
	125#	All bronze	427037-041
3 x 3 x 6	125#	Cast iron	427041-011
	250#	Ductile iron	427042-031
	125#	All bronze	427041-041
4 x 4 x 6	125#	Cast iron	427043-011
	250#	Ductile iron	427044-031
	125#	All bronze	427043-041
1 1/2 x 1 1/2 x 8	125#	Cast iron	427045-011
	250#	Ductile iron	427046-031
	125#	All bronze	427045-041
2 x 2 x 8	125#	Cast iron	427047-011
	250#	Ductile iron	427048-031
	125#	All bronze	427047-041
3 x 3 x 8	125#	Cast iron	427051-011
	250#	Ductile iron	427052-031
	125#	All bronze	427051-041
4 x 4 x 8	125#	Cast iron	426241-011 [†]
	250#	Ductile iron	426242-031 [†]
	125#	All bronze	426241-041 [†]
5 x 5 x 8	125#	Cast iron	427024-011
	250#	Ductile iron	427025-031
	125#	All bronze	427024-041
6 x 6 x 8	125#	Cast iron	427055-011
	250#	Ductile iron	427056-031
	125#	All bronze	427055-041
8 x 8 x 8	125#	Cast iron	427915-011
	250#	Ductile iron	427916-031
	125#	All bronze	427915-041
2 x 2 x 10	125#	Cast iron	427059-011
	250#	Ductile iron	427060-031
	125#	All bronze	427059-041

ITEM 100 CASING (continued)**

PUMP SIZE	PRESSURE RATING (LB)	CONSTRUCTION	PART NUMBER
3×3×10	125#	Cast iron	427061-011
	250#	Ductile iron	427062-031
	125#	All bronze	427061-041
4×4×10	125#	Cast iron	427063-011
	250#	Ductile iron	427064-031
	125#	All bronze	427063-041
6×6×10	125#	Cast iron	427065-011
	250#	Ductile iron	427066-031
	125#	All bronze	427065-041
8×8×10	125#	Cast iron	427067-011
	250#	Ductile iron	427068-031
	125#	All bronze	427067-041
4×4×11 1/2	125#	Cast iron	426119-011
	250#	Ductile iron	426120-031
	125#	All bronze	426119-041
5×5×11 1/2	125#	Cast iron	426123-011
	250#	Ductile iron	426124-031
	125#	All bronze	426123-041
6×6×11 1/2	125#	Cast iron	426127-011
	250#	Ductile iron	426128-031
	125#	All bronze	426127-041
8×8×11 1/2	125#	Cast iron	426131-011
	250#	Ductile iron	426132-031
	125#	All bronze	426131-041

NOTES:

** Casing part numbers are for casing only, casing wear ring is sold separately.
 If new casing is required, it must be ordered c/w wear ring.

ITEM 80 IMPELLER 7/8" BORE**

PUMP SIZE	MATERIAL	IMPELLER BORE	MAXIMUM DIAMETER	PART NUMBER
1 1/2 x 1 1/2 x 6	Bronze	7/8"	6"	427099-041
	Cast iron	7/8"	6"	427099-011
2 x 2 x 6	Bronze	7/8"	6"	427109-041
	Cast iron	7/8"	6"	427109-011
3 x 3 x 6	Bronze	7/8"	6"	427103-041
	Cast iron	7/8"	6"	427103-011
4 x 4 x 6	Bronze	7/8"	6"	427115-041
	Cast iron	7/8"	6"	427115-011
1 1/2 x 1 1/2 x 8	Bronze	7/8"	8"	427119-041
	Cast iron	7/8"	8"	427119-011
2 x 2 x 8	Bronze	7/8"	8"	427121-041
	Cast iron	7/8"	8"	427121-011
3 x 3 x 8	Bronze	7/8"	8"	427129-041
	Cast iron	7/8"	8"	427129-011
4 x 4 x 8	Bronze	7/8"	8"	427137-041 [†]
	Cast iron	7/8"	8"	427137-011 [†]
4 x 4 x 8	Bronze	7/8"	8"	426239-041 ^{††}
	Cast iron	7/8"	8"	426239-011 ^{††}
5 x 5 x 8	Bronze	7/8"	8"	427131-041
	Cast iron	7/8"	8"	427131-011
6 x 6 x 8	Bronze	7/8"	8"	427139-041
	Cast iron	7/8"	8"	427139-011
8 x 8 x 8	Bronze	7/8"	8"	427917-041
	Cast iron	7/8"	8"	427917-011
2 x 2 x 10	Bronze	7/8"	10"	427151-041
	Cast iron	7/8"	10"	427151-011
3 x 3 x 10	Bronze	7/8"	10"	427163-041
	Cast iron	7/8"	10"	427163-011
4 x 4 x 10	Bronze	7/8"	10"	427149-041
	Cast iron	7/8"	10"	427149-011
6 x 6 x 10	Bronze	7/8"	10"	427153-041
	Cast iron	7/8"	10"	427153-011
8 x 8 x 10	Bronze	7/8"	10"	427156-041
	Cast iron	7/8"	10"	427156-011
4 x 4 x 11 1/2	Bronze	7/8"	11 1/2"	426281-041
	Cast iron	7/8"	11 1/2"	426281-011
5 x 5 x 11 1/2	Bronze	7/8"	11 1/2"	426283-041
	Cast iron	7/8"	11 1/2"	426283-011

10

ITEM 80 IMPELLER 7/8" BORE (continued)**

PUMP SIZE	MATERIAL	IMPELLER BORE	MAXIMUM DIAMETER	PART NUMBER
6×6×11 1/2	Bronze	7/8"	11 1/2"	426290-041
	Cast iron	7/8"	11 1/2"	426290-011
8×8×11 1/2	Bronze	7/8"	11 1/2"	426294-041
	Cast iron	7/8"	11 1/2"	426294-011

NOTES:

** Impeller part numbers are for full or maximum diameter impellers. Always specify pump serial number and where possible, measure and advise the diameter of the Impeller being replaced on these Pumps.

† For pre-July 2010 pumps

†† For post-July 2010 pumps (**do not** use for Twin or DualArm 6×6×8)

ITEM 101 CASING GASKET

PUMP SIZE	CONSTRUCTION	PART NUMBER
1 1/2×1 1/2×6	ALL	426401-002
2×2×6		
3×3×6		
4×4×6		
1 1/2×1 1/2×8	ALL	426401-003
2×2×8		
3×3×8		
4×4×8		
5×5×8		
6×6×8		
8×8×8	ALL	426401-004
2×2×10		
3×3×10		
4×4×10		
6×6×10	ALL	426401-006
8×8×10		
4×4×11 1/2		
5×5×11 1/2		
6×6×11 1/2	ALL	426401-006
8×8×11 1/2		

ITEM 103 CASING CAPSCREW & ITEM 104 WASHER

PUMP SIZE	NUMBER REQUIRED	SIZE	PART NUMBER
1 1/2 x 1 1/2 x 6	8	CAPSCREW 1/2-13NC x 1 1/4"	911125-110
2 x 2 x 6			
3 x 3 x 6	8	LOCKWASHER 1/2"	927213-100
4 x 4 x 6			
1 1/2 x 1 1/2 x 8	8	CAPSCREW 5/8-11NC x 1 1/2"	911129-112
2 x 2 x 8			
3 x 3 x 8			
4 x 4 x 8			
5 x 5 x 8	8	WASHER 5/8" FLAT	927121-100
6 x 6 x 8			
8 x 8 x 8			
2 x 2 x 10	12	CAPSCREW 5/8-11NC x 1 1/2"	911129-112
3 x 3 x 10	12	WASHER 5/8" FLAT	927121-100
4 x 4 x 10	12	CAPSCREW 5/8-11NC x 1 3/4"	911129-114
	12	LOCKWASHER 5/8"	927215-100
6 x 6 x 10	12	CAPSCREW 5/8-11NC x 1 1/2"	911129-112
8 x 8 x 10	12	WASHER 5/8" FLAT	927121-100
4 x 4 x 11 1/2	16	CAPSCREW 1/2-13NC x 1 1/2"	911125-112
5 x 5 x 11 1/2			
6 x 6 x 11 1/2	16	WASHER 1/2" FLAT	927117-100
8 x 8 x 11 1/2			

ITEM 105 CASING DRAIN PLUG

PUMP SIZE	MATERIAL	NUMBER REQUIRED	SIZE	PART NUMBER
1 1/2 x 1 1/2 x 6	CAD PLATED	1	1/4" NPT	937105-201
2 x 2 x 6				
3 x 3 x 6				
4 x 4 x 6				
1 1/2 x 1 1/2 x 8				
2 x 2 x 8				
3 x 3 x 8				
4 x 4 x 8				
6 x 6 x 8				
8 x 8 x 8				
2 x 2 x 10				
3 x 3 x 10				
4 x 4 x 10				
8 x 8 x 10				
5 x 5 x 8	CAD PLATED	1	1/2" NPT	937105-203
6 x 6 x 10				
4 x 4 x 11 1/2	CAD PLATED	1	1/4" NPT	937105-201
5 x 5 x 11 1/2				
6 x 6 x 11 1/2	CAD PLATED	1	1/2" NPT	937105-203
8 x 8 x 11 1/2				

ITEM 90 CASE WEAR RING

PUMP SIZE	MATERIAL	PART NUMBER
1 1/2 x 1 1/2 x 6	SAE 660 BRONZE	426413-401
	CLASS 30 C.I.	426413-101
2 x 2 x 6	SAE 660 BRONZE	426413-403
	CLASS 30 C.I.	426413-103
3 x 3 x 6	SAE 660 BRONZE	426413-406
	CLASS 30 C.I.	426413-106
4 x 4 x 6	SAE 660 BRONZE	426413-404
	CLASS 30 C.I.	426413-104
1 1/2 x 1 1/2 x 8	SAE 660 BRONZE	426413-402
	CLASS 30 C.I.	426413-102

ITEM 90 CASE WEAR RING (continued)

PUMP SIZE	MATERIAL	PART NUMBER
2×2×8	SAE 660 BRONZE	426413-404
	CLASS 30 C.I.	426413-104
3×3×8	SAE 660 BRONZE	426413-407
	CLASS 30 C.I.	426413-107
4×4×8	SAE 660 BRONZE	426413-410
	CLASS 30 C.I.	426413-110
5×5×8	SAE 660 BRONZE	426413-413
	CLASS 30 C.I.	426413-113
6×6×8	SAE 660 BRONZE	426413-404
	CLASS 30 C.I.	426413-104
8×8×8	SAE 660 BRONZE	
	CLASS 30 C.I.	
2×2×10	SAE 660 BRONZE	426413-404
	CLASS 30 C.I.	426413-104
3×3×10	SAE 660 BRONZE	426413-404
	CLASS 30 C.I.	426413-104
4×4×10	SAE 660 BRONZE	426413-408
	CLASS 30 C.I.	426413-108
6×6×10	SAE 660 BRONZE	426413-412
	CLASS 30 C.I.	426413-112
8×8×10	SAE 660 BRONZE	426413-414
	CLASS 30 C.I.	426413-114
4×4×11½	SAE 660 BRONZE	426412-405
	CLASS 30 C.I.	426412-105
5×5×11½	SAE 660 BRONZE	426412-411
	CLASS 30 C.I.	426413-111
6×6×11½	SAE 660 BRONZE	426412-420
	CLASS 30 C.I.	426412-120
8×8×11½	SAE 660 BRONZE	426412-421
	CLASS 30 C.I.	426412-121

ITEM 50 ADAPTER

Bronze fitted and All iron construction

PUMP SIZE	MOTOR FRAME SIZE	MATERIAL	PART NUMBER
1 1/2 x 1 1/2 x 6	143 - 145TC	CAST IRON	427700-011
2 x 2 x 6			
3 x 3 x 6	182 - 256TC		427703-011
4 x 4 x 6			
1 1/2 x 1 1/2 x 8	143 - 145TC	CAST IRON	427701-011
2 x 2 x 8			
3 x 3 x 8			
4 x 4 x 8			
5 x 5 x 8	182 - 256TC		427704-011
6 x 6 x 8			
8 x 8 x 8			
2 x 2 x 10	143 - 145TC	CAST IRON	427702-011
3 x 3 x 10			
4 x 4 x 10			
6 x 6 x 10	182 - 256TC		427705-011
8 x 8 x 10			
4 x 4 x 11 1/2	182 - 256TC	CAST IRON	427706-011
5 x 5 x 11 1/2			
6 x 6 x 11 1/2			
8 x 8 x 11 1/2			

ITEM 50 ADAPTER

Ductile iron and Ductile bronze fitted construction

PUMP SIZE	MOTOR FRAME SIZE	MATERIAL	PART NUMBER
1 1/2 x 1 1/2 x 6	143 - 145TC	CAST IRON	427700-031
2 x 2 x 6			
3 x 3 x 6	182 - 256TC		427703-031
4 x 4 x 6			
1 1/2 x 1 1/2 x 8	143 - 145TC	CAST IRON	427701-031
2 x 2 x 8			
3 x 3 x 8	182 - 256TC		427704-031
4 x 4 x 8			
5 x 5 x 8	182 - 256TC	427704-031	
6 x 6 x 8			
8 x 8 x 8			
2 x 2 x 10	143 - 145TC	CAST IRON	427702-031
3 x 3 x 10			
4 x 4 x 10	182 - 256TC		427705-031
6 x 6 x 10			
8 x 8 x 10	182 - 256TC	CAST IRON	427706-031
4 x 4 x 11 1/2			
5 x 5 x 11 1/2			
6 x 6 x 11 1/2			
8 x 8 x 11 1/2			

ITEM 50 ADAPTER

All bronze construction

PUMP SIZE	MOTOR FRAME SIZE	MATERIAL	PART NUMBER
1 1/2 x 1 1/2 x 6	143 - 145TC	CAST BRONZE	427700-041
2 x 2 x 6			
3 x 3 x 6	182 - 256TC		427703-041
4 x 4 x 6			
1 1/2 x 1 1/2 x 8	143 - 145TC	CAST BRONZE	427701-041
2 x 2 x 8			
3 x 3 x 8			
4 x 4 x 8			
5 x 5 x 8	182 - 256TC		427704-041
6 x 6 x 8			
8 x 8 x 8			
2 x 2 x 10	143 - 145TC	CAST BRONZE	427702-041
3 x 3 x 10			
4 x 4 x 10			
6 x 6 x 10	182 - 256TC		427705-041
8 x 8 x 10			
4 x 4 x 11 1/2	182 - 256TC	CAST BRONZE	427706-041
5 x 5 x 11 1/2			
6 x 6 x 11 1/2			
8 x 8 x 11 1/2			

ITEM 150 COUPLER GUARD

PUMP SIZE	MOTOR FRAME SIZE	PART NUMBER
1 1/2 x 1 1/2 x 6	143 - 145TC	427761-001
2 x 2 x 6		
3 x 3 x 6	182 - 256TC	427761-003
4 x 4 x 6		
1 1/2 x 1 1/2 x 8	143 - 145TC	427761-001
2 x 2 x 8		
3 x 3 x 8		
4 x 4 x 8		
5 x 5 x 8	182 - 256TC	427761-004
6 x 6 x 8		
8 x 8 x 8		
2 x 2 x 10	143 - 145TC	427761-002
3 x 3 x 10		
4 x 4 x 10		
6 x 6 x 10	182 - 256TC	427761-005
8 x 8 x 10		
4 x 4 x 11 1/2	182 - 256TC	427761-005
5 x 5 x 11 1/2		
6 x 6 x 11 1/2		
8 x 8 x 11 1/2		

COUPLER GUARD FASTENERS

ITEM NUMBER	DESCRIPTION	NUMBER REQUIRED	SIZE	PART NUMBER
151	Bolt - RD. HD.	2	#8-32 x 1 1/2"	916262-120
152	Nut	2	#8-32	913162-116
153	Washer	2	#8-32	927105-100

ITEM 44 MOTOR CAPSCREW & ITEM 43 LOCKWASHER

PUMP SIZE	MOTOR FRAME SIZE	ITEM DESCRIPTION	PART NUMBER
1 1/2 x 1 1/2 x 6	143 - 145TC	CAPSCREW	911121-108
2 x 2 x 6		LOCKWASHER	927211-100
3 x 3 x 6	182 - 256TC	CAPSCREW	911125-110
4 x 4 x 6		LOCKWASHER	927213-100
1 1/2 x 1 1/2 x 8	143 - 145TC	CAPSCREW	911121-108
2 x 2 x 8		LOCKWASHER	927211-100
3 x 3 x 8	182 - 215TC	LOCKWASHER	927211-100
4 x 4 x 8		CAPSCREW	911125-110
5 x 5 x 8		LOCKWASHER	911125-110
6 x 6 x 8		CAPSCREW	911125-110
8 x 8 x 8		LOCKWASHER	911125-110
2 x 2 x 10	143 - 145TC	CAPSCREW	911121-108
3 x 3 x 10		LOCKWASHER	927211-100
4 x 4 x 10	182-256TC	CAPSCREW	911125-110
6 x 6 x 10		LOCKWASHER	927213-100
8 x 8 x 10		CAPSCREW	911125-110
4 x 4 x 11 1/2	182 - 256TC	LOCKWASHER	927213-110
5 x 5 x 11 1/2		CAPSCREW	911125-110
6 x 6 x 11 1/2		LOCKWASHER	927213-110
8 x 8 x 11 1/2		CAPSCREW	911125-110

ITEM 147 MOTOR COUPLER COLLAR

PUMP SIZE	MOTOR FRAME SIZE	PART NUMBER
1 1/2 x 1 1/2 x 6	143 - 145TC	427748-000
2 x 2 x 6	182 - 184TC	427749-000
3 x 3 x 6	213 - 215TC	427750-000
4 x 4 x 6	254 - 256TC	427751-000
1 1/2 x 1 1/2 x 8	143 - 145TC	427748-000
2 x 2 x 8	182 - 184TC	427749-000
3 x 3 x 8	213 - 215TC	427750-000
4 x 4 x 8	254 - 256TC	427751-000
5 x 5 x 8	213 - 215TC	427750-000
6 x 6 x 8	254 - 256TC	427751-000
8 x 8 x 8	254 - 256TC	427751-000
2 x 2 x 10	143 - 145TC	427748-000
3 x 3 x 10	182 - 184TC	427749-000
4 x 4 x 10	213 - 215TC	427750-000
6 x 6 x 10	254 - 256TC	427751-000
8 x 8 x 10	254 - 256TC	427751-000
4 x 4 x 11 1/2	213 - 215TC	427750-000
5 x 5 x 11 1/2	213 - 215TC	427750-000
6 x 6 x 11 1/2	254 - 256TC	427751-000
8 x 8 x 11 1/2	254 - 256TC	427751-000

ITEM 146 MOTOR COUPLER COLLAR SET SCREW

PUMP SIZE	MOTOR FRAME SIZE	PART NUMBER
ALL	143 - 215TC	916517-106
	254 - 256TC	916519-106

ITEM 154 MOTOR KEY

PUMP SIZE	MOTOR FRAME SIZE	PART NUMBER
1 1/2 x 1 1/2 x 6	143 - 145TC	428160-708
2 x 2 x 6	182 - 184TC	428161-712
3 x 3 x 6	213 - 215TC	428162-115
4 x 4 x 6	254 - 256TC	428163-714
1 1/2 x 1 1/2 x 8	143 - 145TC	428160-708
2 x 2 x 8	182 - 184TC	428161-712
3 x 3 x 8	213 - 215TC	428162-115
4 x 4 x 8	254 - 256TC	428163-714
5 x 5 x 8	213 - 215TC	428162-115
6 x 6 x 8	254 - 256TC	428163-714
8 x 8 x 8	254 - 256TC	428163-714
2 x 2 x 10	143 - 145TC	428160-708
3 x 3 x 10	182 - 184TC	428161-712
4 x 4 x 10	213 - 215TC	428162-115
6 x 6 x 10	254 - 256TC	428163-714
8 x 8 x 10	254 - 256TC	428163-714
4 x 4 x 11 1/2	213 - 215TC	428162-115
5 x 5 x 11 1/2	213 - 215TC	428162-115
6 x 6 x 11 1/2	254 - 256TC	428163-714
8 x 8 x 11 1/2	254 - 256TC	428163-714

ITEM 140 COUPLER

PUMP SIZE	MOTOR FRAME SIZE	PART NUMBER
1 1/2 x 1 1/2 x 6	143 - 145TC	427731-000
2 x 2 x 6	182 - 184TC	427732-000
3 x 3 x 6	213 - 215TC	427733-000
4 x 4 x 6	254 - 256TC	427734-000
1 1/2 x 1 1/2 x 8	143 - 145TC	427731-000
2 x 2 x 8	182 - 184TC	427732-000
3 x 3 x 8	213 - 215TC	427733-000
4 x 4 x 8	254 - 256TC	427734-000
5 x 5 x 8	213 - 215TC	427733-000
6 x 6 x 8	254 - 256TC	427734-000
8 x 8 x 8	254 - 256TC	427734-000
2 x 2 x 10	143 - 145TC	427731-000
3 x 3 x 10	182 - 184TC	427732-000
4 x 4 x 10	213 - 215TC	427733-000
6 x 6 x 10	254 - 256TC	427734-000
8 x 8 x 10	254 - 256TC	427734-000
4 x 4 x 11 1/2	213 - 215TC	427733-000
5 x 5 x 11 1/2	213 - 215TC	427733-000
6 x 6 x 11 1/2	254 - 256TC	427734-000
8 x 8 x 11 1/2	254 - 256TC	427734-000

COMMON PARTS

All constructions

ITEM NUMBER	DESCRIPTION	PART NUMBER
21	1 1/8" Pump shaft	427713-000
36	Impeller key	428160-708
51	Seal chamber bushing	425520-002
83	Impeller washer	425742-001
86	Impeller capscrew	911900-114
102	Gauge plug (4 required) 1/4" NPT. CAD plated	937105-201
144	Coupler capscrew (6 required) Frames 143 to 215TC	911819-112
144	Coupler capscrew (6 required) Frame 254/256TC	911821-116
145	Lockwasher (for item 144) Frames 143 TO 215TC (6 required)	927210-100
145	Lockwasher (for item 144) Frame 254/256TC	927211-100
148	Coupler collar (pump shaft)	427756-000
149	Cplr. Key (pump shaft)	428161-106
155	Capscrew lockwasher	927211-400
156	Collar capscrew	911121-106

PARTS FOR 1 1/8" OUTSIDE SEAL

ITEM NUMBER	DESCRIPTION	CONSTRUCTION	PART NUMBER
62	Mechanical seal		
	Armstrong seal	All	975002-304
	Durametallic STD.	All	975002-003
	Durametallic T.C.	All	975002-001
	John crane STD.	All	975000-955
	John crane T.C.	All	975000-965
103	Capscrew - 4 required 3/8" -16NCx1 1/2" S/S	All	911121-416
104	Washer - 4 required 3/8" FLAT	All	427114-100
54	Seal cover	Bronze fitted, All bronze, Ductile bronze fitted	426484-002
		All iron, Ductile iron	426484-001

PARTS FOR 1 1/8" INSIDE MECHANICAL SEAL ARRANGEMENT

ITEM NUMBER	DESCRIPTION	CONSTRUCTION	PART NUMBER
62	Mechanical seal	All	810150-143
52	Capscrew - 4 required 3/8"-16NCx1" S/S	All	911121-408
163	Washer - 4 required 3/8" FLAT	All	427114-100
54	Seal cover	Bronze fitted, All bronze, Ductile bronze fitted	426464-011
		All iron, Ductile iron	426464-001
55	Gasket	All	426467-001
160	Retaining ring	All	923104-434

STANDARD MECHANICAL SEAL FLUSH LINE PARTS

ITEM NUMBER	DESCRIPTION	NUMBER REQUIRED	CONSTRUCTION	PART NUMBER
58	MALE STRAIGHT CONNECTION 3/8" TUBE x 1/4" NPT	1	Bronze fitted, All bronze, Ductile bronze fitted	939001-114
			All iron, Ductile iron	939001-314
59	TUBING 20" REQUIRED 3/8" OD x .035 WALL	20"	Bronze fitted, All bronze, Ductile bronze fitted	997531-004
			All iron, Ductile iron	997153-004
63	TEE 1/4" NPT	1	Bronze fitted, All bronze, Ductile bronze fitted	935101-001
			All iron, Ductile iron	931101-101
64	BUSHING 1/4" MNPT x 1/8" FNPT	1	Bronze fitted, All bronze, Ductile bronze fitted	935123-050
			All iron, Ductile iron	931123-150
67	NIPPLE 1/4" NPT x 2 1/2" NPT	1	Bronze fitted, All bronze, Ductile bronze fitted	938103-001
			All iron, Ductile iron	938003-101
68	AIR VENT	1	Bronze fitted, All bronze, Ductile bronze fitted	939018-101
			All iron, Ductile iron	218644-000
194	MALE 90° CONNECTION 3/8" TUBE x 1/4" NPT	1	Bronze fitted, All bronze, Ductile bronze fitted	939003-109
			All iron, Ductile iron	939003-309

FOR OTHER FLUSH LINE OPTIONS, SEE FLUSH LINE OPTIONS PARTS LIST

TORONTO

23 BERTRAND AVENUE
TORONTO, ONTARIO
CANADA
M1L 2P3
+1 416 755 2291

BUFFALO

93 EAST AVENUE
NORTH TONAWANDA, NEW YORK
U.S.A.
14120-6594
+1 716 693 8813

BIRMINGHAM

HEYWOOD WHARF, MUCKLOW HILL
HALESOWEN, WEST MIDLANDS
UNITED KINGDOM
B62 8DJ
+44 (0) 8444 145 145

MANCHESTER

WOLVERTON STREET
MANCHESTER
UNITED KINGDOM
M11 2ET
+44 (0) 8444 145 145

BANGALORE

#59, FIRST FLOOR, 3RD MAIN
MARGOSA ROAD, MALLESWARAM
BANGALORE, INDIA
560 003
+91 (0) 80 4906 3555

SHANGHAI

NO. 1619 HU HANG ROAD, XI DU TOWNSHIP
FENG XIAN DISTRICT, SHANGHAI
P.R.C.
201401
+86 21 3756 6696

SÃO PAULO

RUA JOSÉ SEMIÃO RODRIGUES AGOSTINHO,
1370 GALPÃO 6
EMBU DAS ARTES
SAO PAULO, BRAZIL
+55 11 4781 5500

ARMSTRONG FLUID TECHNOLOGY
ESTABLISHED 1934

ARMSTRONGFLUIDTECHNOLOGY.COM

MAKING
ENERGY
MAKE
SENSE™