

Suction Guides and Flo-Trex Valves

Engineered for Maximum Efficiency, Cost Savings and Protection of your HVAC System

SOLUTION GUIDE

FILE NO: 35.11
DATE: JANUARY 2023

SUPERSEDES: 35.11
DATE: JUNE 2022

THE BEST AVAILABLE PROTECTION FOR HVAC COMPONENTS



Armstrong Suction Guides are installed on the suction side of pumps to protect against damage from debris and foreign matter, and to optimize flow efficiency. Most pump installations require a long-radius elbow, flow-straightening entrance pipe, and y strainer. The Suction Guide's versatile 4-function design saves space and installation costs by incorporating all these devices into a single solution.

Protection for HVAC components

Ensures reliable operation

Extends component life

Eliminates unnecessary costs in HVAC systems

Reduces component and material costs

Reduces installation labour and costs

Reduces HVAC system maintenance costs

MAXIMUM COST SAVINGS

Eliminate the purchase and installation of unnecessary components. Most installations require a long radius elbow, flow straightening entrance pipe, and y strainer.

Versatile 4-function design of the Suction Guide reduces installed costs by combining

90° elbow

In-line strainer

Reducing elbow

Guide vanes



FLUID SUPPLY TO THE PUMP PERFECTLY MANAGED

Labour savings

Protection from debris

Extra protection during
the commissioning and
start-up phase

Minimize pressure drop

Mechanical room
space savings



DESIGN LEADERSHIP

Flow stabilizing vanes on the outlet create smooth, laminar flow to protect pump components. A Suction Guide can be bolted directly to the pump inlet, eliminating the cost and the space requirement for an added spool piece.

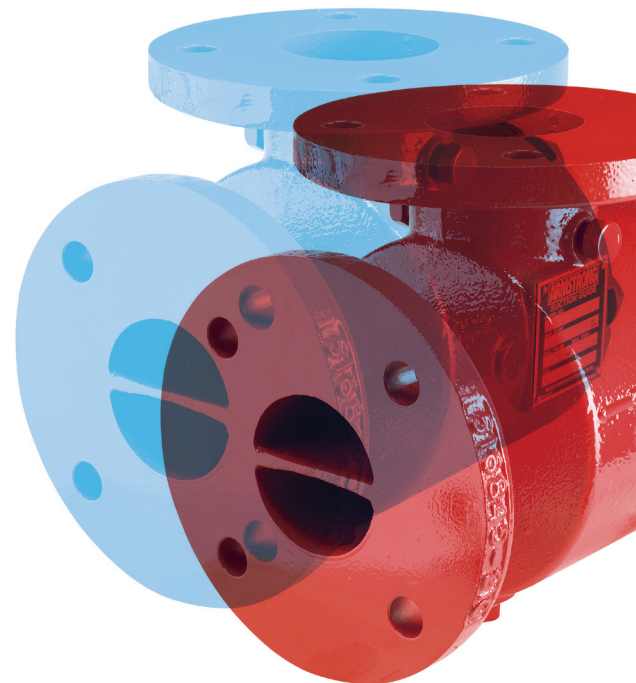
Permanent stainless-steel strainer protects the pump and other downstream components from debris. The integrated strainer has a free surface area of at least 250% of pipe sectional area. Small amounts of accumulated debris will not restrict flow or cause a pressure drop. The strainer removes particles as small as $\frac{1}{8}$ inch.

Disposable fine-mesh filter for the start-up phase provides filtering of debris introduced during construction. Mesh #16 rated filter removes particles as small as 1200 Microns.

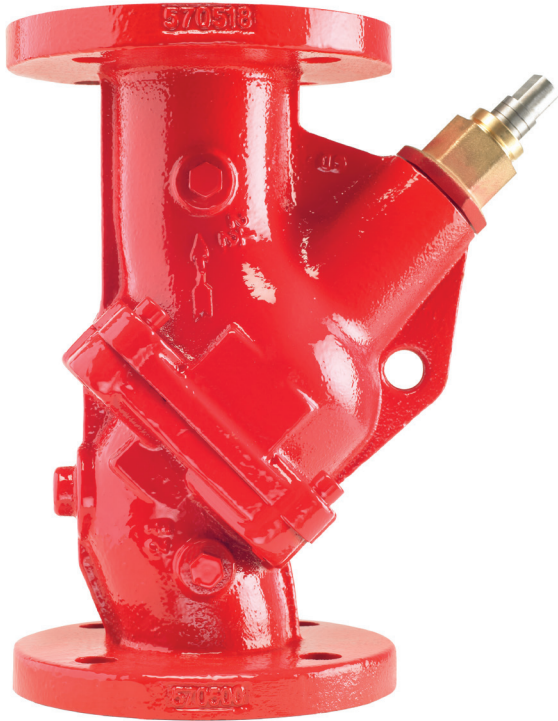
Connects to the same-size piping as the pump suction. Models are available to connect to inlet piping one size larger than the pump suction, eliminating a reducing spool.

Wide range of sizes and configurations for different pipe and flange choices creates flexibility for system design. 6" piping can be connected to 4 sizes of pump flange.

A Suction Guide can be utilized as a 90° elbow avoiding long radius elbow.



FLO-TREX VALVES



To protect pumps from damage and keep them operating at peak efficiency, Armstrong Flo-Trex Valves are used on the discharge side of pumping equipment.

Flo-Trex Valves function as a shut-off valve, a non-slam check valve, a flow throttling valve and a 90° elbow - all in a single device.

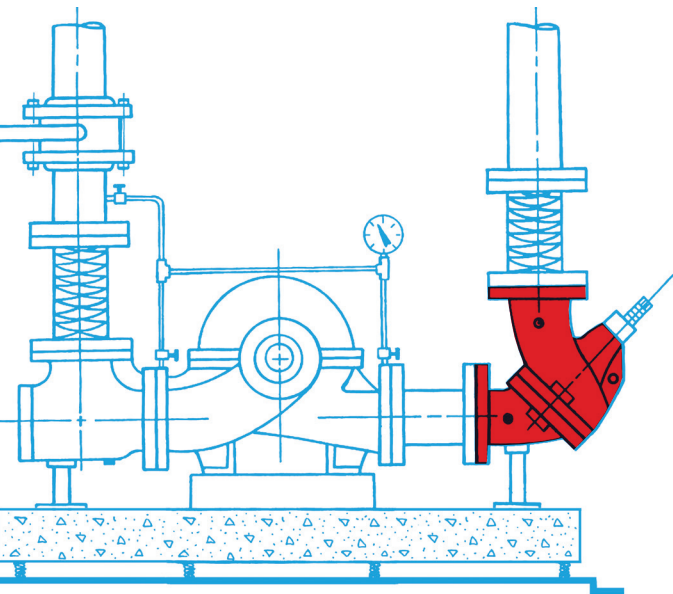
Extended operating life for system components

Installation labor savings

All-in-one protection and flow control

Flexibility for system design and installation

Reduced space requirement in mechanical room



MAXIMUM COST SAVINGS

Eliminate the purchase and installation of unnecessary components. Flo-Trex Valves serve 4 functions and eliminate the need for

Discharge long-radius elbow

Discharge check valve

Discharge globe valve

Flow-balancing valve



ALWAYS IN CONTROL

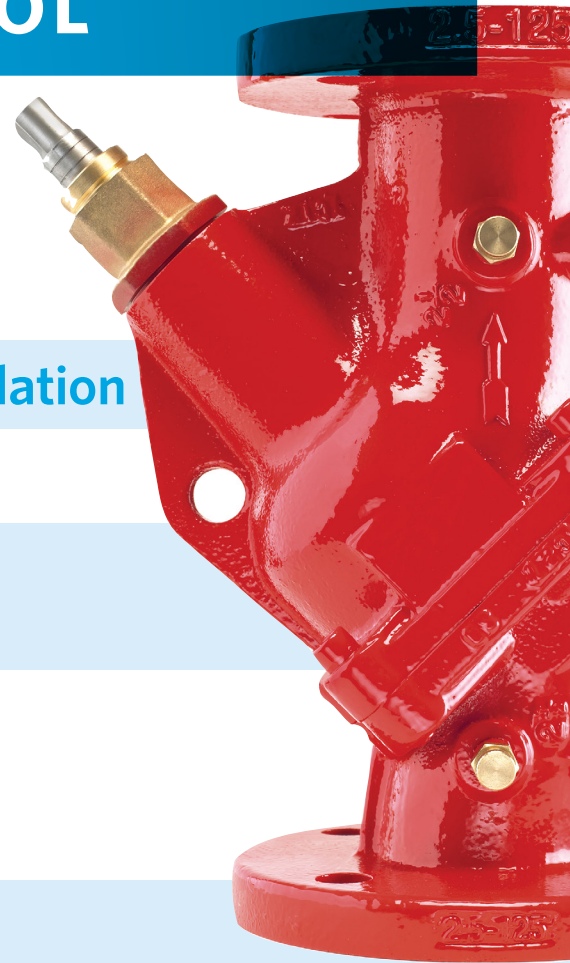
Precise control of flow

Effective shut-off for pump isolation

Low pressure drop

Protection against slamming
and reverse flow

Reduced system noise



DESIGN LEADERSHIP

Flo-Trex Valves provide an all-in-one combination of check valve and throttling valve in elbow configuration.

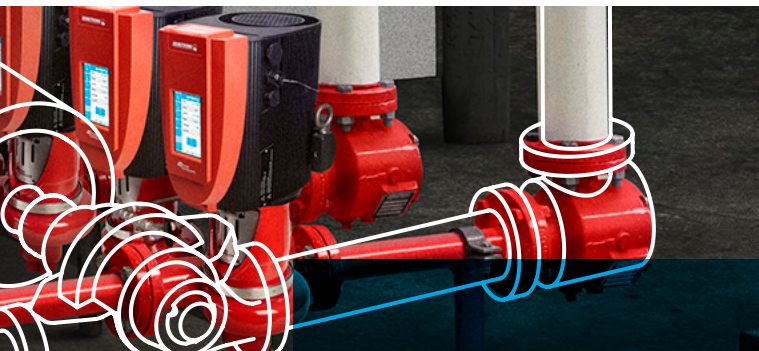
Plug and disc valve design is the most effective system for accurate throttling of flow and isolation. When the valve is closed, the disk closes off the flow path completely. When the valve is fully open the disk is removed from the flow path completely.

Drip-tight shut-off capability provides drip-tight isolation at 150% of maximum working pressure.

Check valve capability, with spring closure design and elastomer seal, protects the pump from reverse flow and prevents slamming.

Convertible body design for sizes 2.5" and up – permits the valve to be changed on-site from straight to 90° angle configuration.

Valve setting accuracy markings on valve stem indicate settings for easy return to the correct flow rate after maintenance.



Armstrong Suction Guides and Flo-Trex Valves

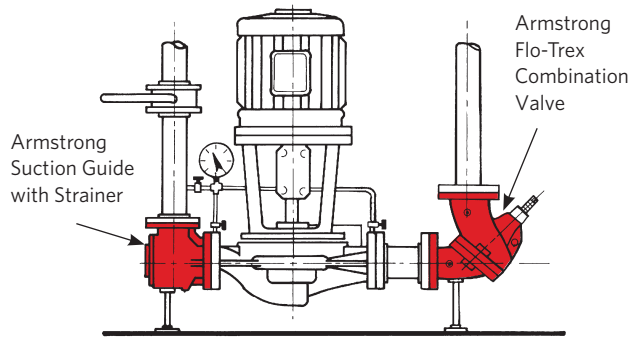
ARMSTRONG METHOD

Fewer components required

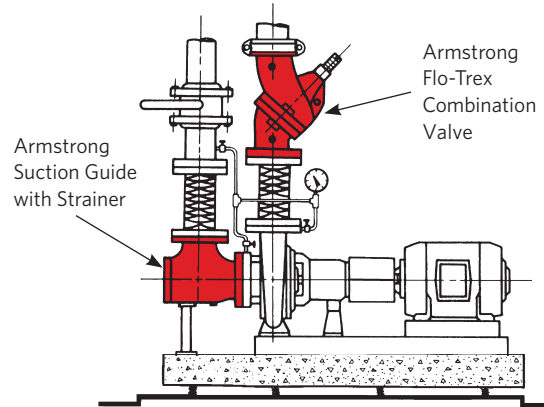
Fewer connections required

Less installation time required

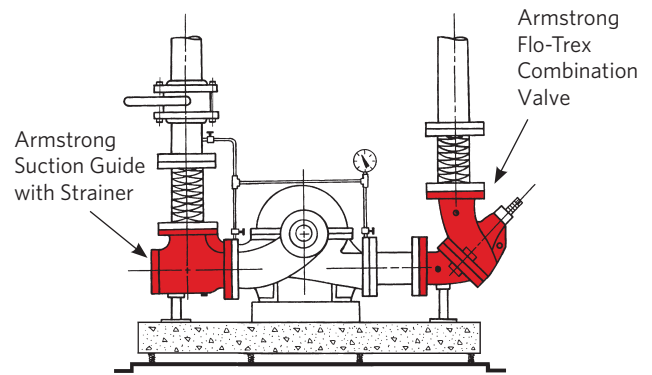
Less installation space required



Vertical In-Line Pump



Base Mounted Single Suction Pump



Base Mounted Double Suction Pump

The Smart Choice

An Armstrong Vertical In-Line Pump installation requires the fewest components and connections, maximizing savings and minimizing installation time.

MATERIALS OF CONSTRUCTION

Suction Guides

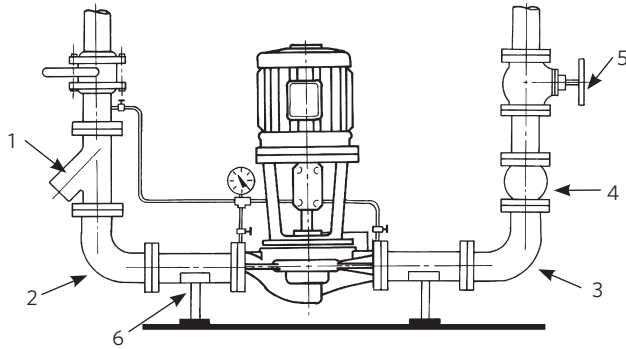
MODEL	BODY	COVER	STRAINER ELEMENT	FINE-MESH STRAINER	GUIDE VANES
SG-TF (threaded inlet up to 2")	Ductile Iron	Ductile Iron	Stainless Steel	Galvanized Steel	Ductile Iron
SG (flanged up to 12")	Cast Iron	Cast Iron	Stainless Steel	Galvanized Steel	Cast Iron
SG (14" & larger)	Carbon Steel	Carbon Steel	Stainless Steel	Galvanized Steel	Carbon Steel
SGG, SGHH	Ductile Iron	Ductile Iron	Stainless Steel	Galvanized Steel	Ductile Iron

Flo-Trex Valves

MODEL	BODY	DISC	STEM & SPRING	SEAT & O-RING	PORT FITTING
FTV-TS, FTV-GS	Stainless Steel	Brass	Stainless Steel	EPDM	Brass
FTV-F (2.5" to 12") ANSI-125/PN16	Cast Iron	Bronze	Stainless Steel	EPDM	Brass
FTV-FS (14" & larger) ANSI-125/PN16	Cast Iron	Carbon Steel/EPDM	Stainless Steel	Bronze/EPDM	Brass
FTV-HF ANSI-250/PN25	Ductile Iron	Bronze	Stainless Steel	EPDM	Brass
FTV-G	Ductile Iron	Bronze	Stainless Steel	EPDM	Brass

Reduce Field Installation and Materials Costs

CONVENTIONAL METHOD



Vertical In-Line Pump

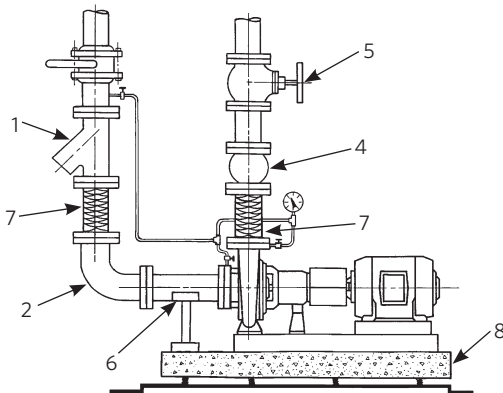
Components eliminated using Armstrong Flo-Trex Valves and Suction Guide strainer for base mounted single and double suction pump installations and Vertical In-Line installations:

- 1 Y Strainer
- 2 Suction long radius elbow
- 3 Discharge long radius elbow
- 4 Discharge check valve
- 5 Discharge globe valve
- 6 Suction spool piece

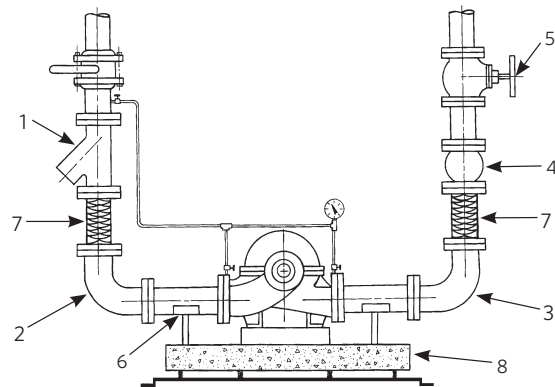
In addition, use of the FTV-G style eliminates three welded flange connections.

Additional components and labour eliminated when Armstrong Vertical In-Line pumps are used instead of base-mounted pumps:

- 7 Flexible connectors
- 8 Inertia base isolation
- 9 Field shaft alignment (not shown)



Base Mounted Single Suction Pump



Base Mounted Double Suction Pump

Maximum Operating Parameters

MAX OPERATING CONDITIONS	ANSI 125	ANSI 250
	175 psig at 140°F (12 bars at 60°C)	375 psig at 100°F (26 bars at 38°C)
	130 psig at 230°F (9 bars at 110°C)	300 psig at 230°F (21 bars at 110°C)

NOTE:

- Units are hydrostatically tested to 150% of maximum working pressure.
- Pressure/Temperature parameters not shown for:
 - » SG and FTV models 14" and larger
 - » FTVs smaller than 2.5"
- Throttling at the pump in variable speed systems is not recommended. But one common trend in most HVAC designs, is that system might require throttling after the pump has been installed to minimize downtime/ capital loss*

* refer to Technical paper for more details.

Please refer to submittal data for those models.

TORONTO

23 BERTRAND AVENUE,
TORONTO, ONTARIO,
CANADA, M1L 2P3
+1 416 755 2291

BUFFALO

93 EAST AVENUE, NORTH
TONAWANDA, NEW YORK,
U.S.A., 14120-6594
+1 716 693 8813

DROITWICH SPA

POINTON WAY, STONEBRIDGE CROSS
BUSINESS PARK, DROITWICH SPA,
WORCESTERSHIRE,
UNITED KINGDOM, WR9 0LW
+44 121 550 5333

MANCHESTER

WOLVERTON STREET, MANCHESTER
UNITED KINGDOM, M11 2ET
+44 161 223 2223

BANGALORE

#18, LEWIS WORKSPACE, 3RD FLOOR,
OFF MILLERS - NANDIDURGA ROAD,
JAYAMAHAL CBD, BENSON TOWN,
BANGALORE, INDIA 560 046
+91 80 4906 3555

SHANGHAI

UNIT 903, 888 NORTH SICHUAN RD.
HONGKOU DISTRICT, SHANGHAI
CHINA, 200085
+86 21 5237 0909

BEIJING

ROOM 1612, NANYIN BUILDING NO.2
NORTH EAST THRID RING ROAD
CHAOYANG DISTRICT, BEIJING,
CHINA 100027
+86 21 5237 0909

SÃO PAULO

RUA JOSÉ SEMIÃO RODRIGUES
AGOSTINHO, 1370 GALPÃO 6 EMBU
DAS ARTES, SAO PAULO, BRAZIL
+55 11 4785 1330

LYON

93 RUE DE LA VILLETTE
LYON, 69003 FRANCE
+33 4 26 83 78 74

DUBAI

JAFZA VIEW 19, OFFICE 402
P.O. BOX 18226 JAFZA,
DUBAI - UNITED ARAB EMIRATES
+971 4 887 6775

JIMBOLIA

STR CALEA MOTILOR NR. 2C
JIMBOLIA 305400, JUD.TIMIS
ROMANIA
+40 256 360 030

ARMSTRONG FLUID TECHNOLOGY®
ESTABLISHED 1934

ARMSTRONGFLUIDTECHNOLOGY.COM

