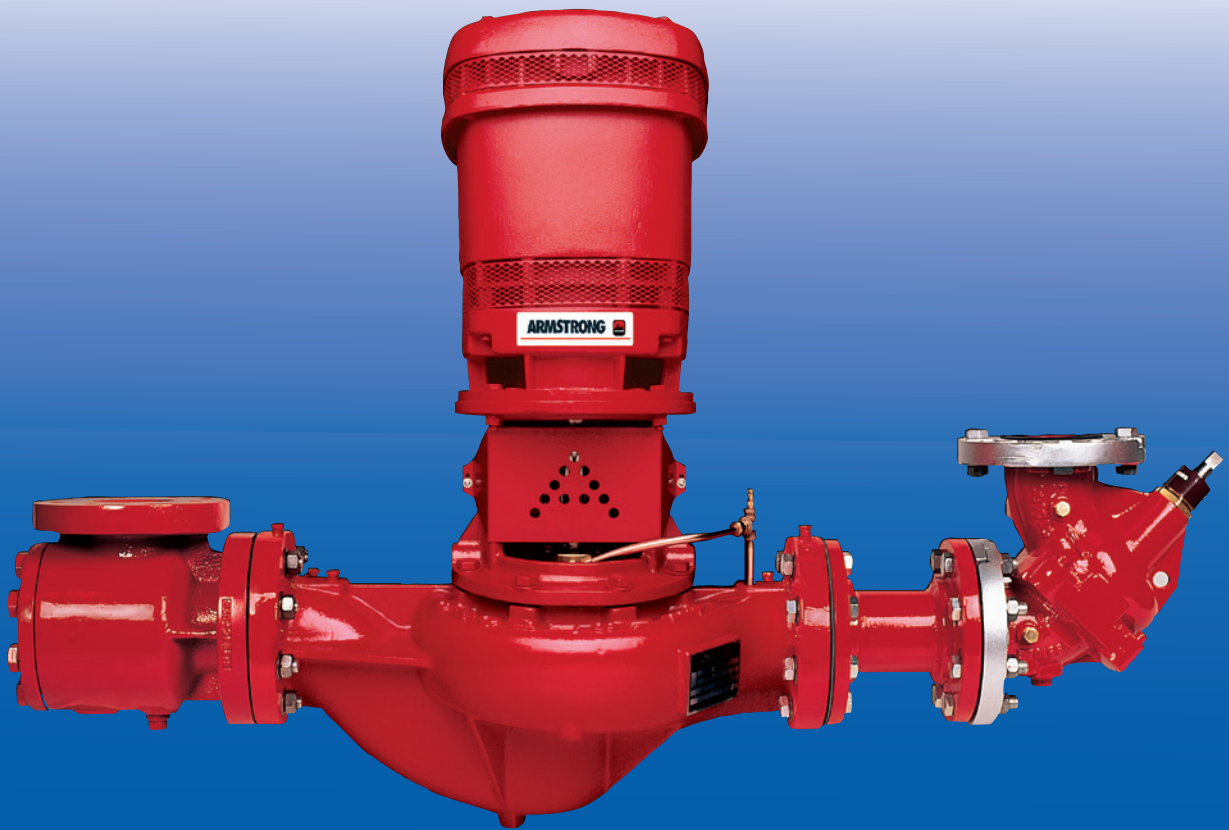


# ARMSTRONG



## Suction Guides & Flo-Trex Valves

File no.:	35.11L
Date:	NOV. 15, 2013
Supersedes:	35.11IN
Date:	FEBRUARY 05, 2013

# Suction Guides

Designed for direct mounting on the suction flange of horizontal and vertical pumps.



SGHH series illustrated

Armstrong Suction Guides (sgs) are installed on the suction side of pumps to protect against damage from debris and foreign matter, and optimize flow efficiency. Most installations require a long radius elbow, flow-

straightening entrance pipe, and 'Y' strainer - the Suction Guide's versatile four function design saves space and installation costs by incorporating all these devices into a single solution.

## Model SG, SG-TF, SGG, SGHH, SGH-TF Suction Guides

### Four function pump fitting

#### 90° elbow

Mounting the Suction Guide on any pump suction turns the piping 90°, replacing an elbow. In addition, the Suction Guide can be rotated to any position allowed by the pump suction bolts, from vertical to horizontal.

#### In-line strainer

The stainless steel strainer has free area of at least 250% of pipe sectional area. A disposable fine-mesh strainer is installed for start-up cleaning.

#### Reducing elbow

The Suction Guide connects same size piping to the pump suction, but can also connect to inlet piping one size larger than the pump suction, eliminating a reducing elbow.

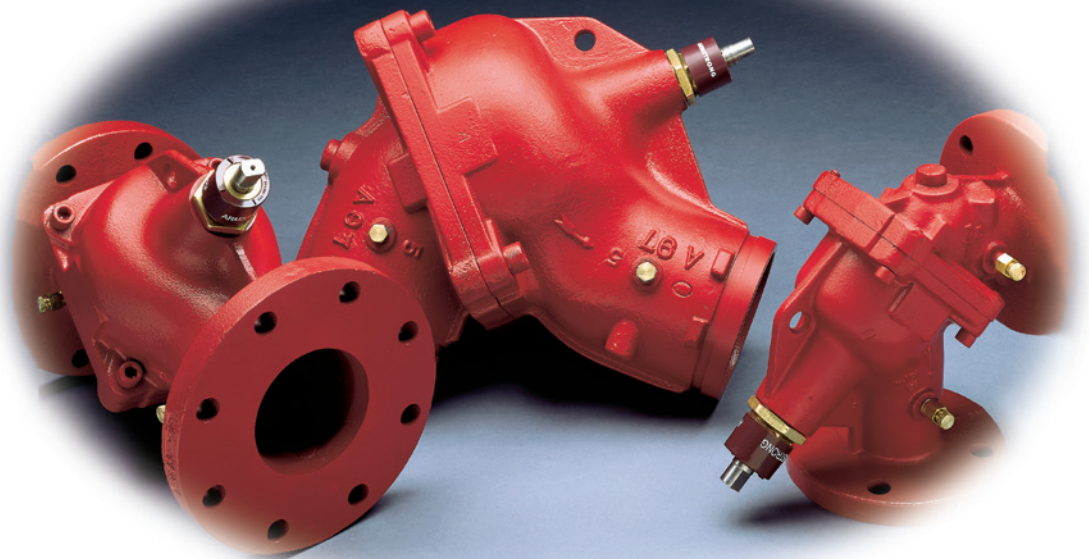
#### Guide vanes

Flow stabilizing vanes on the outlet allow the Suction Guide to bolt directly to the pump, saving the space and cost of a long straight pipe length.

# Flo-Trex Valves

---

Designed for installation on the discharge side of centrifugal pumps.



To protect pumps from damage and keep them operating at peak efficiency, Armstrong Flo-Trex Valves (FTVs) are used on the discharge side of pumping equipment. The

Flo-Trex Valve can act as a shut-off valve, non-slam check valve, flow throttling valve and 90 degree elbow - all in a single device.

## Model FTV Flo-Trex Valves

### Drip-tight shut off valve

The Armstrong Flo-Trex valve is designed and tested for drip-tight isolation at 150% of maximum working pressure.

### Non-slam check valve

The Armstrong Flo-Trex valve incorporates a spring closure design that closes the valve in a controlled manner, protecting the valve from slamming due to a reversal in flow caused by gravity or recirculation from a parallel pump.

### Flow throttling valve

The Armstrong Flo-Trex valve uses a plug and disc design which is the most effective valve type for combining throttling of flow and isolation. Other design valves may be effective for throttling or isolation, but not both.

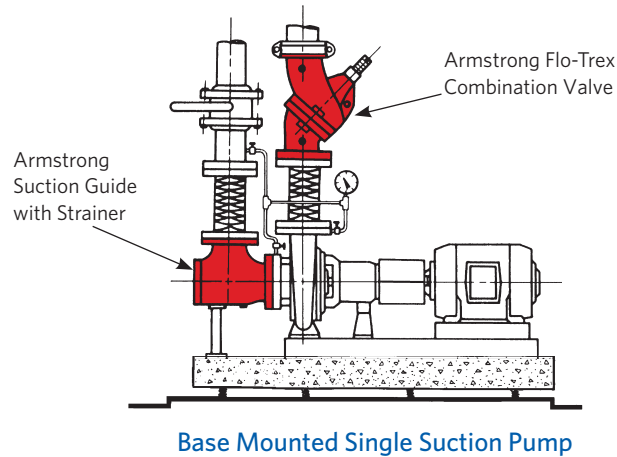
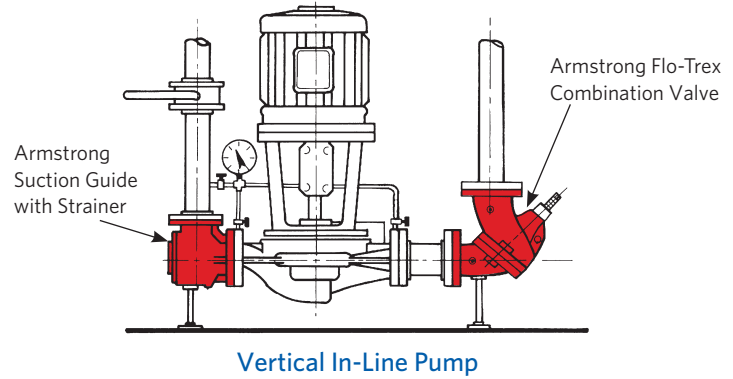
### Convertible body design

The Armstrong Flo-Trex convertible body design permits the valve to be changed on-site from straight to angle configuration.

# Armstrong Suction Guides and Flo-Trex Valves...

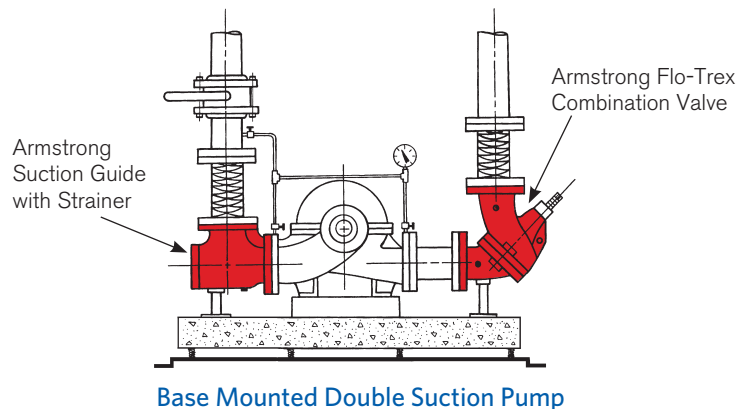
## Armstrong method

- Fewer components required as redundant fittings are eliminated.
- Fewer connections required with Armstrong's multi-purpose fittings.
- Less installation time required by reducing the number of fittings.
- Less installation space required as pump inlet spool piece is eliminated.



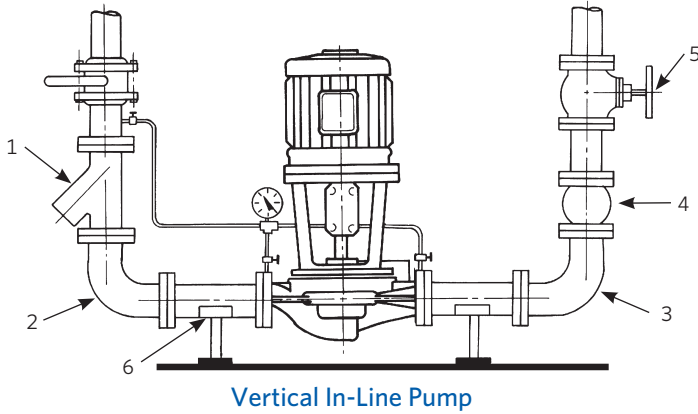
## The smart choice

An Armstrong Vertical In-Line Pump installation requires the fewest components and connections, maximizing savings and minimizing installation time.



# Reduce Field Installation and Materials Costs

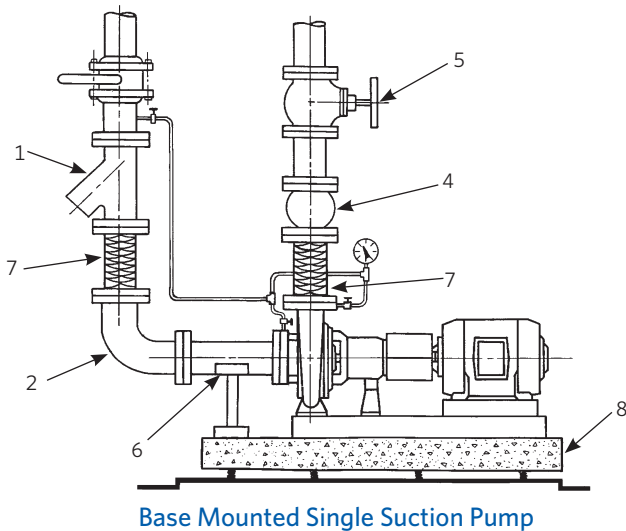
## Conventional method



Components eliminated using Armstrong Flo-Trex Valves and Suction Guide strainer for base mounted single and double suction pump installations and Vertical In-line installations:

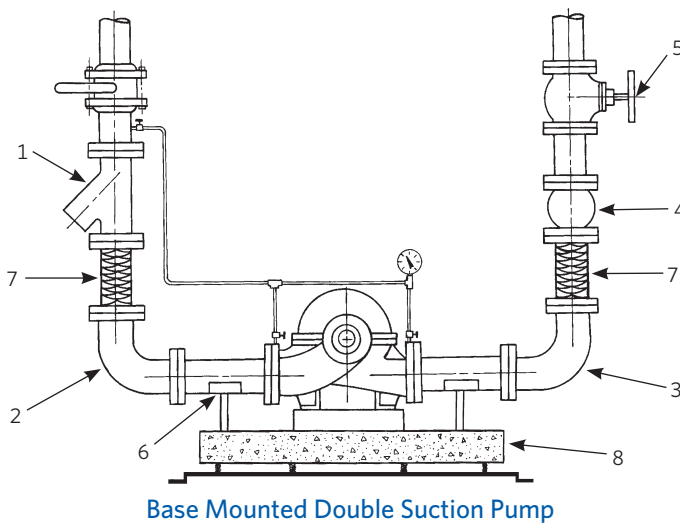
1. 'Y' strainer
2. Suction long radius elbow
3. Discharge long radius elbow
4. Discharge check valve
5. Discharge globe valve
6. Suction pool piece

In addition, use of the FTV-G style eliminates three welded flange connections.



Additional components eliminated using Armstrong Vertical In-line pumps with Flo-Trex Valves and Suction Guide strainers in place of base mounted applications:

7. Flexible connectors
8. Inertia base isolation
9. Field shaft alignment (not shown)



# Materials of construction

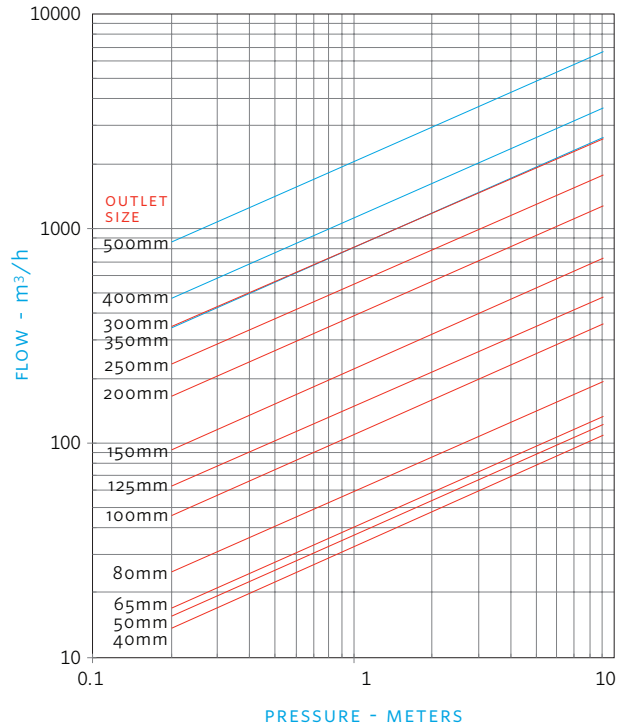
## Suction Guides

MODEL	BODY	COVER	STRAINER ELEMENT	FINE-MESH STRAINER	GUIDE VANES
SG-TF (threaded inlet up to 50MM)	Ductile Iron	Ductile Iron	Stainless Steel	Galvanized Steel	Ductile Iron
SG (up to 300 mm)	Cast iron	Cast iron	Stainless steel	Galvanized steel	Cast iron
SG (350 mm & larger)	Carbon steel	Carbon steel	Stainless steel	Galvanized steel	Carbon steel
SGG, SGHH	Ductile iron	Ductile iron	Stainless steel	Galvanized steel	Ductile Iron

## Flo-Trex Valves

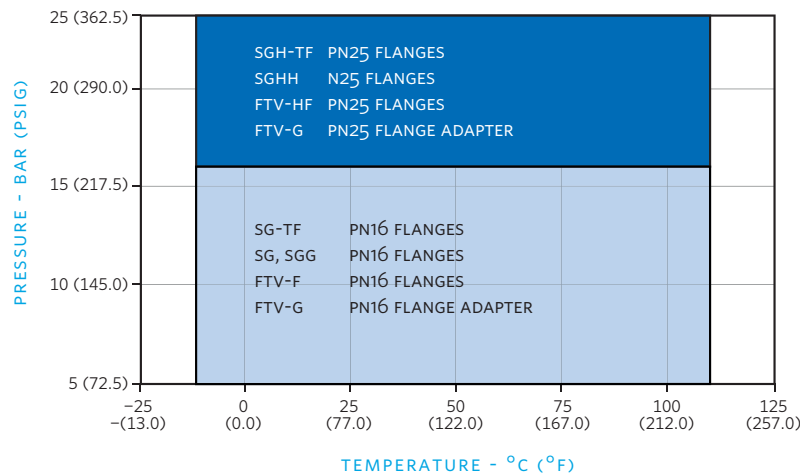
MODEL	BODY	DISC	STEM & SPRING	SEAT & O-RING	PORT FITTING
FTV-F (up to 300 mm) PN16	Cast iron	Bronze	Stainless steel	EPDM	Brass
FTV-FS (350 mm & larger) PN16	Cast iron	Carbon steel/EPDM	Stainless steel	Bronze/EPDM	Brass
FTV-HF PN25	Ductile iron	Bronze	Stainless steel	EPDM	Brass
FTV-G	Ductile iron	Bronze	Stainless steel	EPDM	Brass

# Pressure drop chart



# Maximum Operating Parameters

## Suction Guide & Flo-Trex pressure/temperature parameters



MAX PRESSURE / TEMPERATURE	PN 16	PN 25
UP TO 12"/300mm - CAST	16 bar at 110°C (230 psig at 230°F)	25 bar at 110°C (360 psig at 230°F)
ABOVE 12"/300mm - FABRICATED	12 bar at 149°C (175 psig at 300°F)	N/A

**Note:**  
Units are hydrostatically tested to 150% of maximum working pressure.



## Design benefits

### Suction Guide

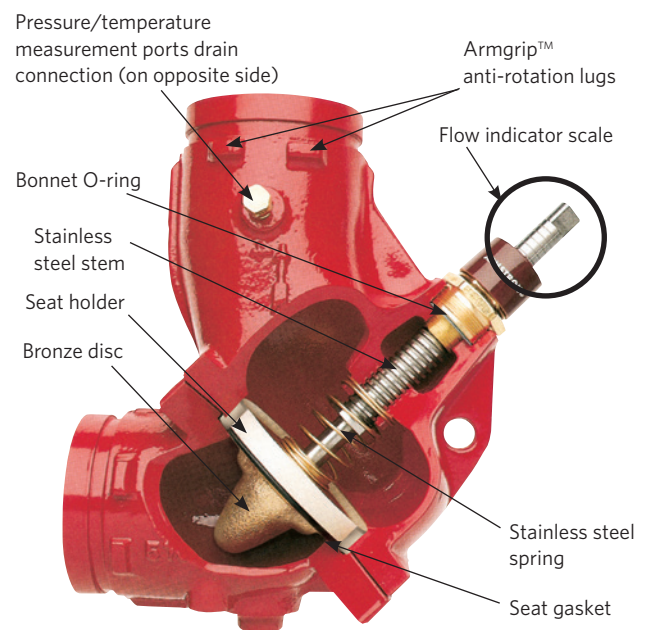
- Suction guide body made of cast iron, ductile iron, or carbon steel, with DIN flanges. Same size ports are available with oversized inlet flange to eliminate reducer. Threaded inlet available to 50mm(2")
- Guide vanes reduce turbulence, thereby creating optimum flow conditions and minimizing stress on pump components.
- Strainer with 3 mm ( $\frac{1}{8}$ " ) perforated stainless steel. Star-shaped for added strength and designed to provide large free flow area to reduce pressure drop.
- Removable fine mesh start-up strainer, furnished as a standard item, helps prevent mechanical seal or instrument damage during initial run period.
- Optional magnet to help eliminate free floating metallic particles from system.
- Removable cover, with O-ring, enables easy access to strainer.



Armstrong model sg Suction Guide

### Flo-Trex Valve

- Reduced field installation and material costs.
- Cast iron or ductile valve body with hard flanges, or ductile iron valve body with standard grooved ends.
- Eliminates requirement for two separate valves on pump discharge and, in some cases, a 90° elbow.
- FTV-G eliminates three welded flange connections.
- Soft seat to ensure tight shut-off.
- Spring-closure design uses a non-slam silent check valve feature for vertical mounting.
- Pressure measurement and pump throttling capabilities.
- Temperature measurement capability.
- Spring-closure design check valve prevents gravity or reverse circulation when pump is not operating.
- Bonnet O-ring can be replaced under full system pressure by back seating of valve stem.
- Suitable for maximum working pressure up to 25 bars (375 psi) and temperatures up to 150°C (300°F).
- Valve seat can be changed in the field without use of special tools.
- Low pressure drop due to 'Y' pattern valve design.
- Valve Cv designed to ASHARE flow recommendations for quiet system operation.
- Flow indicator scale includes valve stem, grooved rings and positioning sleeve. The quarter turn graduations on the sleeve, with the scribe line on the stem provide for approximate flow measurement.



Armstrong model FTV-GA Flo-Trex valve



Flow indicator scale

# Options and Accessories

## Connection types & configurations

### Armstrong Suction Guide design:

- Model SG: Supplied with cast iron or carbon steel body and DIN flanges. Available up to 500 mm outlet size.
- Model SG-TF: Supplied with ductile iron body, BSPT threaded inlet and PN16 outlet flange. Available 40mm to 50mm
- Model SGG: Supplied with ductile iron body with grooved inlet connection and PN16 outlet flange. Available up to 300 mm outlet size.
- Model SGHH: Supplied with ductile iron body and PN25 flanges. Available up to 300 mm outlet size.
- Model SGH-TF: Supplied with ductile iron body, BSPT threaded inlet and PN25 outlet flange. Available 40mm to 50mm



### Armstrong Model FTV Flo-Trex combination valves

- FTV-FA & FTV-FS: Flo-Trex valve is supplied with hard (cast-in) flanges.  
FA: Flanged-angled configuration, available up to 300 mm size.  
FS: Flanged-straight configuration, available up to 600 mm size.
- FTV-GA & FTV-GS: Flo-Trex valve is supplied with grooved port connections, designed for Armstrong Armgrip™ flange adapters or standard grooved pipe fittings.  
GA: Grooved-angled configuration, available up to 300 mm size.  
GS: Grooved-straight configuration, available up to 300 mm size.
- FTV-HFA & FTV-HFS: Supplied with PN25 flanges in angled or straight configuration, available in 200 mm - 300 mm size.



### Hard flanged body or Armgrip™ flange adapter

The hard flanged body or the combination of the Armstrong flange adapter and Flo-Trex body, equipped with the unique Armgrip™ anti-rotation lugs, ensures a rigid pump installation.



Armstrong Armgrip™ Flange adapter

### Spool pieces

Spool pieces with hardware kits are available up to 300 mm size to connect the Flo-Trex valves to the discharge of the pump.

**TORONTO**  
23 Bertrand Avenue  
Toronto, Ontario  
Canada, M1L 2P3  
T +1 416 755 2291  
F +1 416 759 9101

**BUFFALO**  
93 East Avenue  
North Tonawanda, New York  
U.S.A., 14120-6594  
T +1 716 693 8813  
F +1 716 693 8970

**MANCHESTER**  
Wenlock Way  
Manchester  
United Kingdom, M12 5JL  
T +44 (0) 8444 145 145  
F +44 (0) 8444 145 146



©ARMSTRONG FLUID TECHNOLOGY 2013