



Vertical Multistage Pumps Series 4700

SOLUTION OUTLINE

FILE NO: 47.11IN
DATE: OCTOBER 2024

SUPERSEDES: 47.11IN
DATE: FEBRUARY 2015

**HIGH-EFFICIENCY
RELIABLE PERFORMANCE**

VERTICAL MULTISTAGE PUMPS

EFFICIENT
DURABLE
PERFORMANT

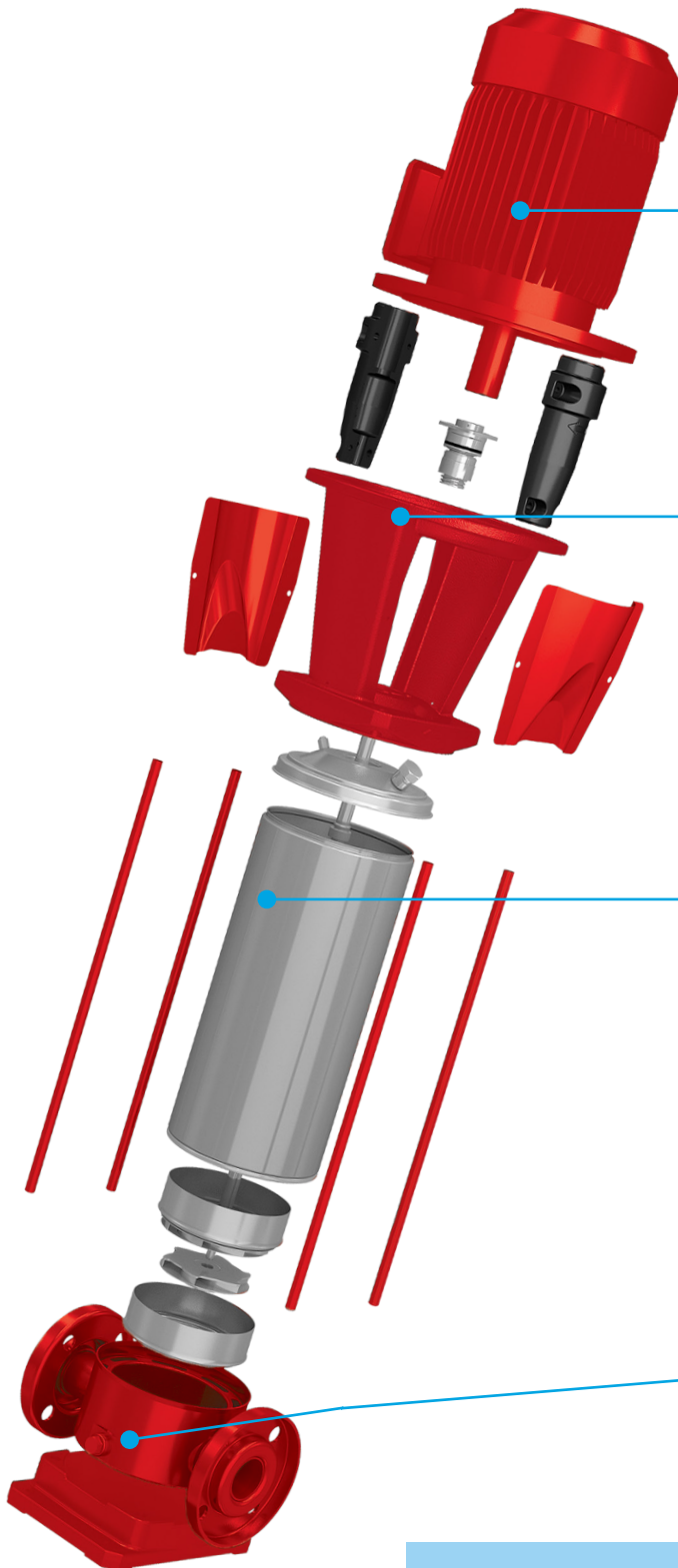
With higher pressure capabilities, one pump can serve multiple floors

300+ MTRS

Armstrong's Vertical Multistage pumps deliver optimum hydraulic efficiency and significantly reduce axial thrust loads for leading performance and longevity. The pumps feature cartridge type mechanical seals and hydraulic coverage up to 180 m³/hr and 300 meters, making them ideal for high head applications across a wide range of flows, making them ideal for industrial and high rise applications.



INNOVATIVE HYDRAULIC DESIGN



Motor flexibility

Compatible with standard IEC motor sizes

Easy maintenance

Innovative design allows replacement of the cartridge shaft seal without disassembling the motor bracket.

Complete SS Construction

- ss304 impellers*
- ss304 shafts*
- ss304 body*

* Full ss316 available

Smart plug solutions

- Air ventilation plug
- Water filling & sensor plug
- Drain plug

KEY BENEFITS

Reduce operating costs

Integrated base simplifies installation reducing labor time and cost.

Save floor space

Vertical design minimizes footprint.

Application configurable

12 different pump models and expanded pressure performance opens opportunities for wide range of applications.

Extend system lifetime

Innovative impeller design reduces axial thrust load for longer operating life of the motor bearing. Durable mechanical seals last 25+ years.

Ideal for portable water

All wetted components are made from high quality Stainless Steel, ensuring the water delivered meets the strictest health requirements.

KEY FEATURES

Innovative hydraulics

Complete Stainless Steel Construction

Extends life of motor bearing

Durable, mechanical seal design

Tungsten carbide bearings & sleeves

Versatile, reliable design

Multiple stages boost to beyond 300+ meters

Serves lower flows and higher heads

Vertical design with integrated base

TYPICAL APPLICATIONS

Armstrong's Vertical Multistage pumps are ideal solutions for pressure maintenance applications such as jockey pumps in fire systems, fill pumps for cooling tower, make up water pumps for steam generators and high pressure service pumps for industrial applications

FEATURED APPLICATION



Water Supply
Water treatment, pressure boosting
irrigation, agriculture

TRUST ARMSTRONG PUMPS FOR
CLEAN WATER APPLICATIONS

INDUSTRIAL APPLICATIONS

Condensate and steam boiler feed systems

Wash and clean systems

Chilling

Machine tool

Pressure boosting

Food and beverage

Pharmaceutical industries

BUILDING SERVICES

Pressure boosting

Sprinkler and Fire fighting systems

District heating and cooling

Cooling tower make up water

PUMP

VERSION		QVMS/L											
Performance range	Nominal size	3	5	10	15	20	32	45	64	90	120	150	
	Motor power	0.37 kW to 18.5 kW						1.5 kW to 75 kW					
	Capacity	0.7 to 28 m ³ /hr						16 to 180 m ³ /hr					
	Total head	12 m to 230 m						14 m to 305 m					
Liquid handling	Temperature scope (°C)	-15 ~ +120											
	Max pressure (bar)	22	24	22	23	23	26	30	22	17	16	16	
Key component materials	Impeller	SS304 / SS316 (only L version)											
	Pump body	SS304 / SS316 (only L version)											
	Inlet / Outlet	SS304 / SS316 (only L version)											
	Outer sleeve	SS304 / SS316 (only L version)											
	Seal	Silicon Carbide/EPDM											
	Bottom base	Cast Iron											
	Shaft	SS304 / SS316 (only L version)											
Connection	Flange	DN25	DN32	DN40	DN50	DN50	DN65	DN80	DN100	DN100	DN125	DN125	
Electrical data	Standard motor type	TEFC, 2 Pole, 3 phase, 50 hz / 60 hz IE3											
	On request	Single phase (upto 2.2kW only) , Thermal in built protection, IE4 efficiency											

TORONTO

+1 416 755 2291

BUFFALO

+1 716 693 8813

DROITWICH SPA

+44 121 550 5333

MANCHESTER

+44 161 223 2223

BANGALORE

+91 80 4906 3555

SHANGHAI

+86 21 5237 0909

BEIJING

+86 21 5237 0909

SÃO PAULO

+55 11 4785 1330

LYON

+33 4 20 10 26 21

DUBAI

+971 4 887 6775

JIMBOLIA

+40 256 360 030

FRANKFURT

+49 6173 999 77 55

ARMSTRONG FLUID TECHNOLOGY®
ESTABLISHED 1934

ARMSTRONGFLUIDTECHNOLOGY.COM