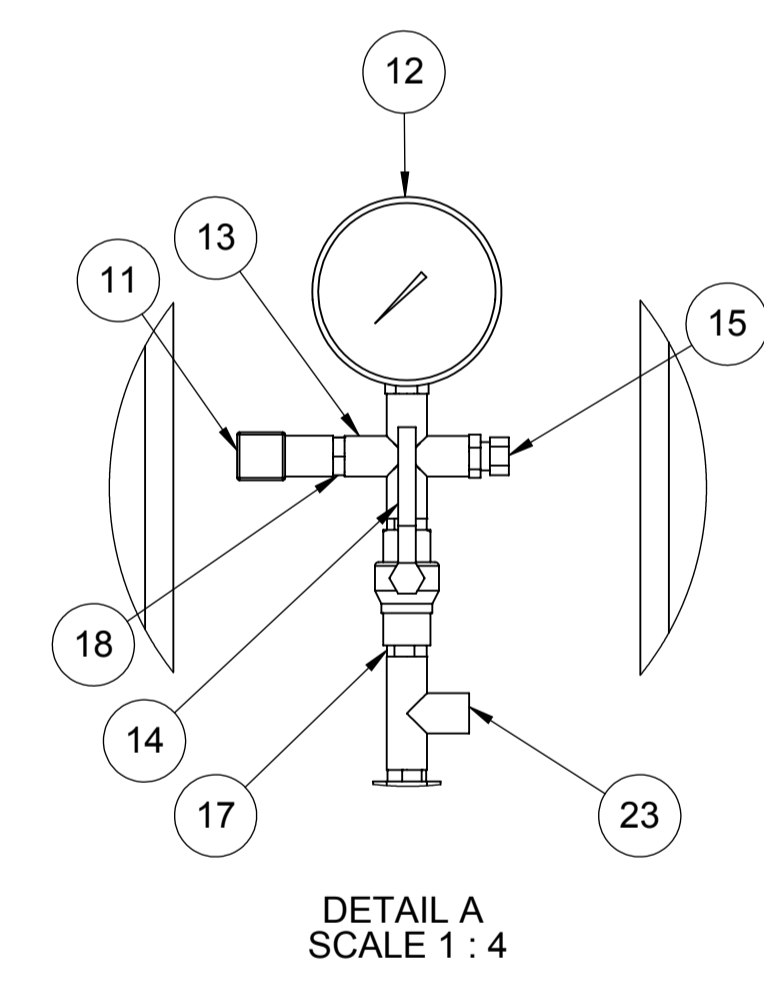
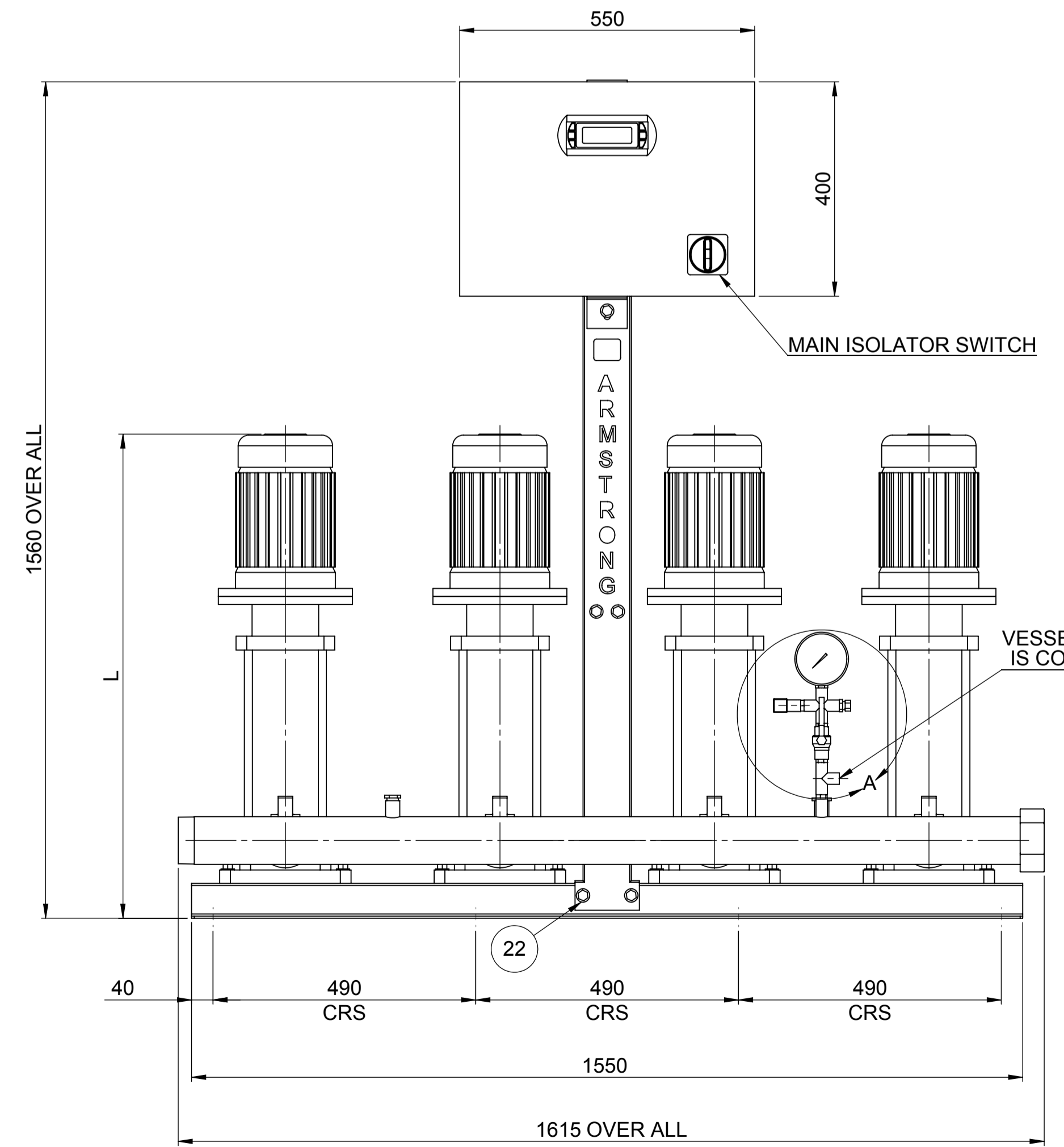
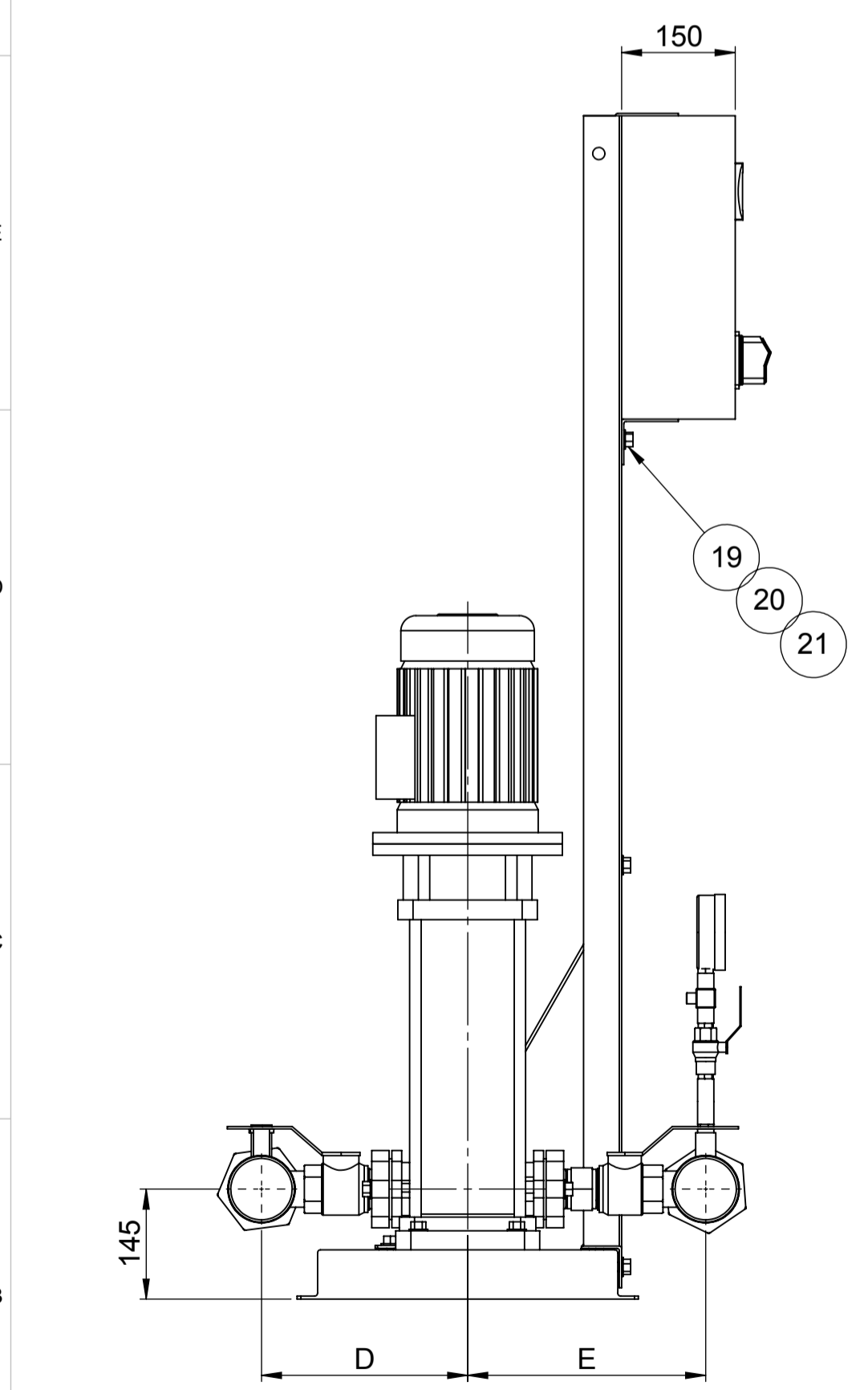
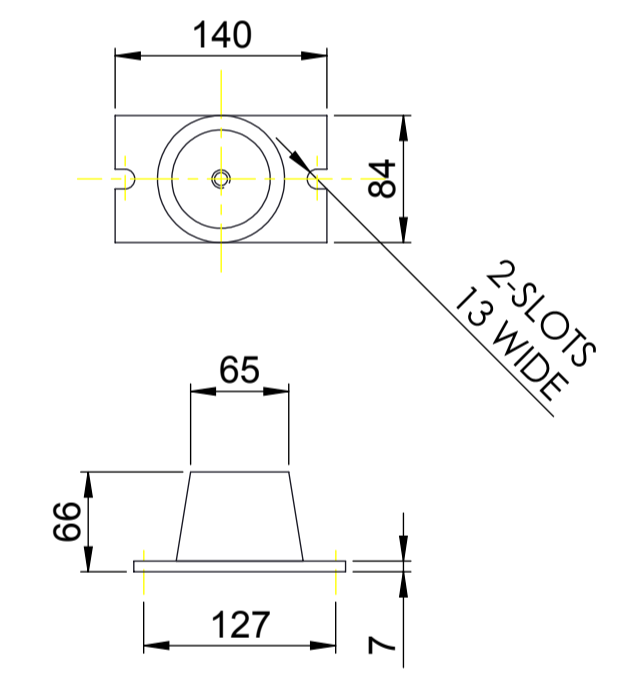


PUMP SIZE	MOTOR KW	FLC AMPS 3x415W	PUMP WEIGHT KGS	SET WEIGHT KGS	VESSEL SIZE LTRS	WORKING PRESSURE MAX. BAR	TEST PRESSURE MAX. BAR	STARTING CURRENT	L MM	D MM	E MM
SV0802	1.1	2.6	25.5	191	60	2.7	24	6	691	272	314
SV0803	1.5	3.6	32	204	60	4	24	6	739	272	314
SV0804	2.2	5	34	208	60	5.4	24	10	777	272	314
SV0805	2.2	5	35	210	60	6.8	24	10	815	272	314
SV0806	3	6.6	42	224	60	8	24	16	903	272	314
SV0808	4	8.5	58.5	257	60	10.8	24	20	983	272	314
SV0809	4	8.5	59.5	259	60	12.1	24	20	1021	272	314

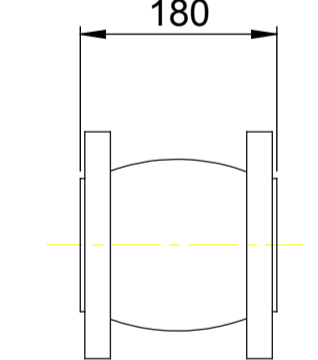
80NB MANIFOLD SUCTION SIDE (SCREWED CONNECTION - 3"BSP)
80NB MANIFOLD DELIVERY SIDE (SCREWED CONNECTION - 3"BSP)



ANTI-VIBRATION MOUNTINGS OPTIONAL ONLY SUPPLIED WHEN ORDERED (4-PER SET K2092/10)



FLEXIBLE CONNECTORS OPTIONAL ONLY SUPPLIED WHEN ORDERED (2-PER SHEET)



NOTE:-

- 1) MAIN POWER SUPPLY TO PANEL MUST BE SIZED TO COVER ALL PUMPS RUNNING AT THE SAME TIME
- 2) LARGE STORAGE VESSELS, IF ORDERED, WILL BE SUPPLIED LOOSE FOR POSITIONING FOR CLIENT TO SUIT THE AVAILABLE FLOOR SPACE. CLIENT IS TO PROVIDE A CONNECTION FROM THE VESSEL TO THE DELIVERY PIPEWORK ADJACENT TO THE SET ISOLATING AND DRAIN VALVES SHOULD BE FITTED IN THIS CONNECTION
- 3) 60LT TANK WILL BE SUPPLIED LOOSE AND SHOULD BE ASSEMBLED ON SITE
- 4) FLANGES ARE AVAILABLE BOTH IN 16 & 25 BAR VERSION
- 5) FOR STANCHION SELECTION USE DRAWING NO. PK14967

ITEM NO	DESCRIPTION	NO. OFF
1	BASE PLATE	1
2	BOLT - M12	16
3	WASHER - M12	16
4	CAGE NUT - M12	16
5	VMS PUMP	4
6	SUCTION/DISCHARGE MANIFOLD ASSY	2
7	ISOLATING VALVE 1 1/2"	8
8	NRV 1 1/2"	4
9	SUPPORT RIB	1
10	STANCHION	1
11	PRESSURE TRANSDUCER	1
12	PRESSURE GAUGE	1
13	FEMALE CROSS 1/2"	1
14	ISOLATING VALVE 1/2"	1
15	AIR VENT 1/4"	1
16	CONTROL PANEL	1
17	1/2" NIPPLE	3
18	1/2" x 1/4" REDUCING BUSH	3
19	BOLT - M10	9
20	WASHER - M10	9
21	NUT - M10	3
22	CAGE NUT - M10	6
23	1/2" T	1
24	END CAP	2

PART No. _____ JOB No. _____ DESIGN No. _____ PATTERN No. _____ FILE NAME _____ FINISH _____		UNLESS OTHERWISE SPECIFIED: DIMENSIONS ARE IN MM WELD SYMBOLS TO BS 499 SURFACE FINISH SHOWN IN UTM MACHINE WHERE SHOWN TO TOLERANCE ± 0.3 DIMENSIONING AND TOLERANCING PER BS 308 MATERIAL: _____ FINISH: _____		NAME: _____ DATE: 04/03/08 DRAWN: _____ CHECKED: _____ Q.A. _____ MFG APPR. _____ ENG APPR. _____ COMMENTS: _____		ARMSTRONG TITLE: 6800 HMP SERIES 4PUMP SV08 SIZE: A1 DRG. NO.: PX10742 REV: B	
LAST MODIFICATION DETAILS		PROPRIETARY AND CONFIDENTIAL THIS DRAWING IS THE PRIVATE AND CONFIDENTIAL PROPERTY OF ARMSTRONG ALL COPYRIGHT, MANUFACTURING AND SALES RIGHTS RESERVED.		DO NOT SCALE DRAWING RELEASE LEVEL: _____		SCALE: 1:8 WEIGHT: KG SHEET 1 OF 1	
REV: _____	DATE: -	DRN BY: -	CHECKED BY: -	APP. BY: -	THIRD ANGLE PROJECTION		