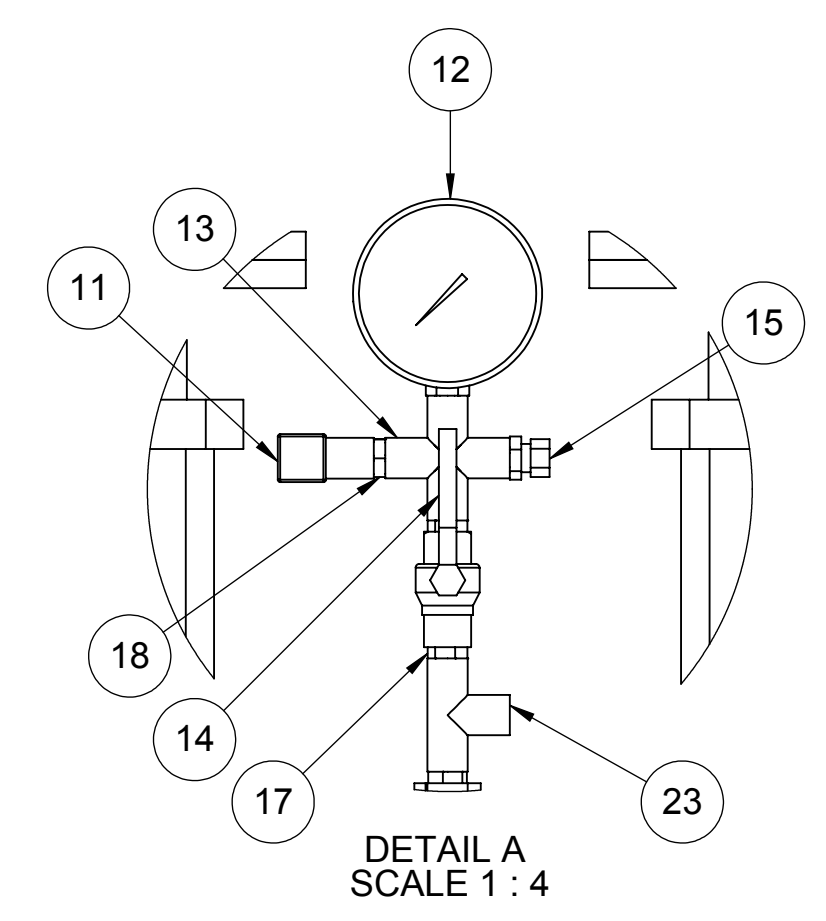
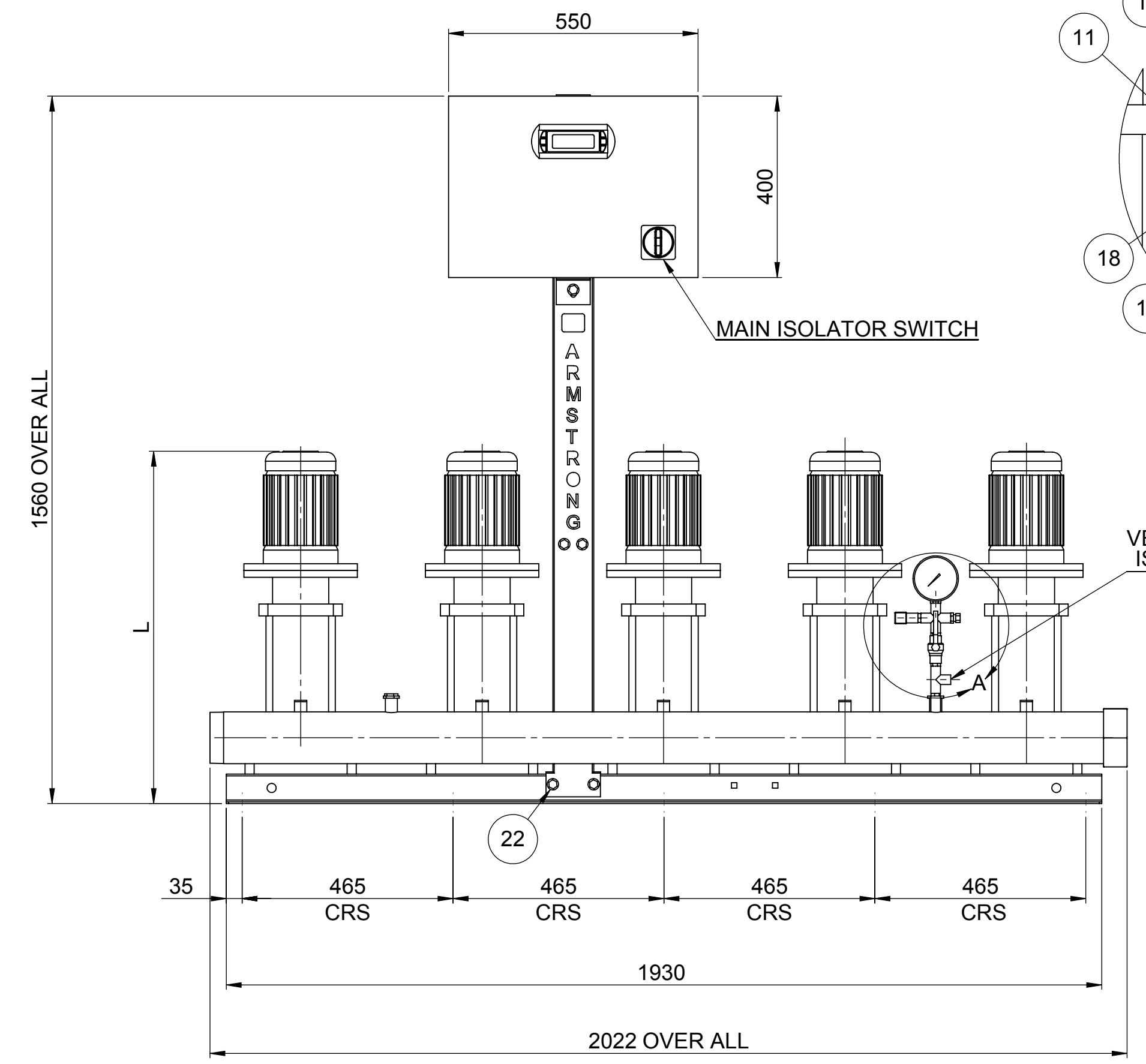
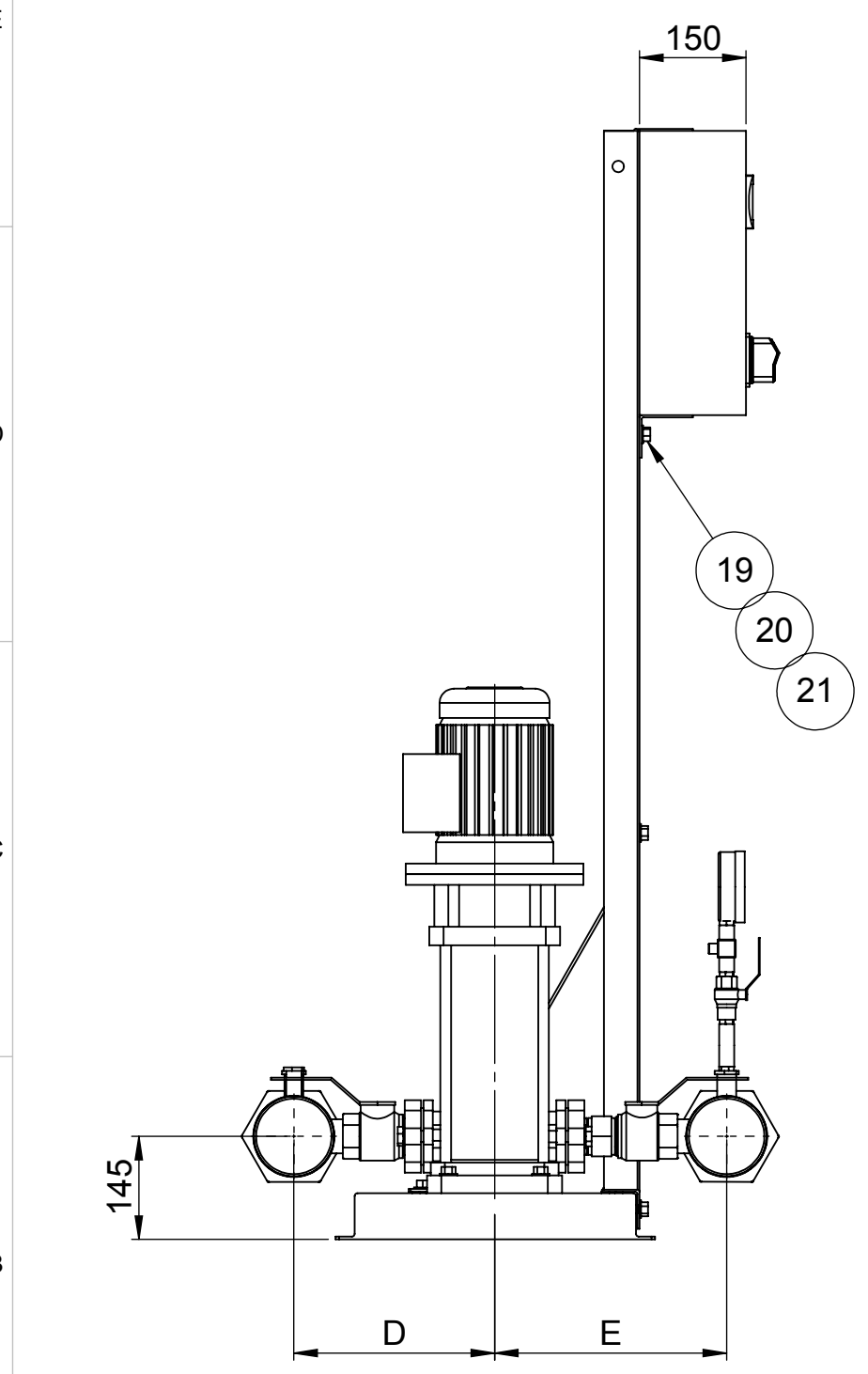


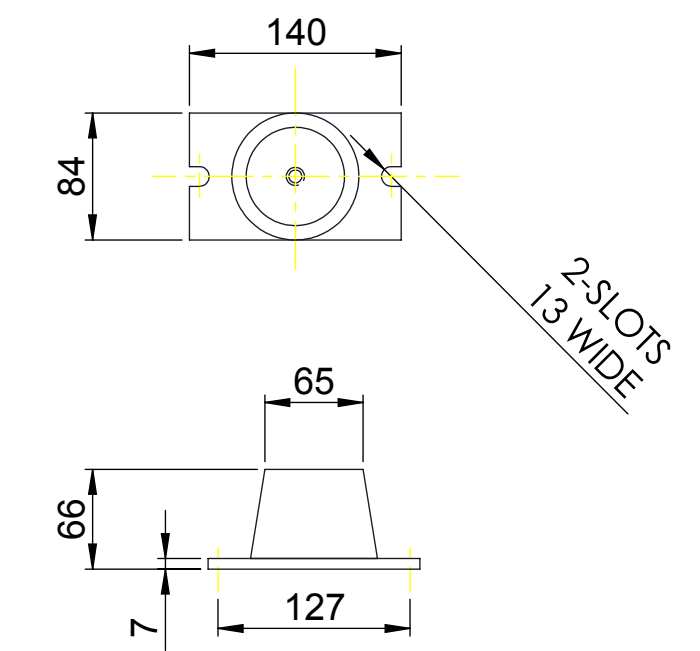
PUMP SIZE	MOTOR KW	FLC AMPS 3x415W	PUMP WEIGHT KGS	SET WEIGHT KGS	VESSEL SIZE LTRS	WORKING PRESSURE MAX BAR	TEST PRESSURE MAX BAR	STARTING CURRENT	L MM	D MM	E MM
SV0802	1.1	2.6	25.5	252	60	2.7	24	6	691	283	327
SV0803	1.5	3.6	32	265	60	4	24	6	739	283	327
SV0804	2.2	5	34	269	60	5.4	24	10	777	283	327
SV0805	2.2	5	35	271	60	6.8	24	10	815	283	327
SV0806	3	6.6	42	285	60	8	24	16	903	283	327
SV0808	4	8.5	58.5	318	60	10.8	24	20	983	283	327
SV0809	4	8.5	59.5	320	60	12.1	24	20	1021	283	327

100NB MANIFOLD SUCTION SIDE (SCREWED CONNECTION - 4" BSP)

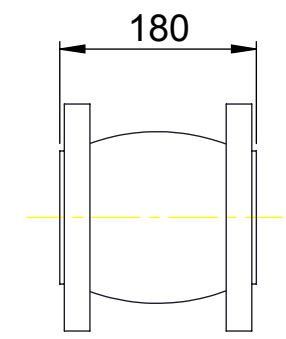
100NB MANIFOLD DELIVERY SIDE (SCREWED CONNECTION - 4" BSP)



ANTI-VIBRATION MOUNTINGS OPTIONAL ONLY SUPPLIED WHEN ORDERED (4-PER SET K2092/10)



FLEXIBLE CONNECTORS OPTIONAL ONLY SUPPLIED WHEN ORDERED (2-PER SHEET)



- NOTE:-
- 1) MAIN POWER SUPPLY TO PANEL MUST BE SIZED TO COVER ALL PUMPS RUNNING AT THE SAME TIME
 - 2) LARGE STORAGE VESSELS, IF ORDERED, WILL BE SUPPLIED LOOSE FOR POSITIONING FOR CLIENT TO SUIT THE AVAILABLE FLOOR SPACE. CLIENT IS TO PROVIDE A CONNECTION FROM THE VESSEL TO THE DELIVERY PIPEWORK ADJACENT TO THE SET ISOLATING AND DRAIN VALVES SHOULD BE FITTED IN THIS CONNECTION
 - 3) 60LT TANK WILL BE SUPPLIED LOOSE AND SHOULD BE ASSEMBLED ON SITE
 - 4) FLANGES ARE AVAILABLE BOTH IN 16 & 25 BAR VERSION
 - 5) FOR STANCHION SELECTION USE DRAWING NO. PK14967

ITEM NO	DESCRIPTION	NO. OFF
1	BASE PLATE	1
2	BOLT - M12	20
3	WASHER - M12	20
4	CAGE NUT - M12	20
5	VMS PUMP	5
6	SUCTION/DISCHARGE MANIFOLD ASSY	2
7	ISOLATING VALVE 1 1/2"	10
8	NRV 1 1/2"	5
9	SUPPORT RIB	1
10	STANCHION	1
11	PRESSURE TRANSDUCER	1
12	PRESSURE GAUGE	1
13	FEMALE CROSS 1/2"	1
14	ISOLATING VALVE 1/2"	1
15	AIR VENT 1/4"	1
16	CONTROL PANEL	1
17	1/2" NIPPLE	3
18	1/2" x 1/4" REDUCING BUSH	3
19	BOLT - M10	9
20	WASHER - M10	9
21	NUT - M10	3
22	CAGE NUT - M10	6
23	1/2" T	1
24	END CAP	2

LAST MODIFICATION DETAILS		PROPRIETARY AND CONFIDENTIAL		UNLESS OTHERWISE SPECIFIED: DIMENSIONS ARE IN MM		DRAWN: FRANKASH CHECKED: 05/03/08		NAME: FRANKASH DATE: 05/03/08			
DESIGN No.	PATTERN No.	FILE NAME	FINISH	MACHINE WHERE SHOWN TO TOLERANCE ± 0.3		Q.A. MFG APPR. ENG APPR. COMMENTS:		TITLE: 6800 HMP SERIES 5PUMP SV08		SIZE DRG. NO. REV	
REV: .	DATE: .	DRN BY: .	CHECKED BY: .	APP. BY: .	MATERIAL SPEC: BS 308		DO NOT SCALE		A1 PX10743 B		
DRAWING RELEASE LEVEL:				SCALE: 1:10		WEIGHT: KG		SHEET 1 OF 1			