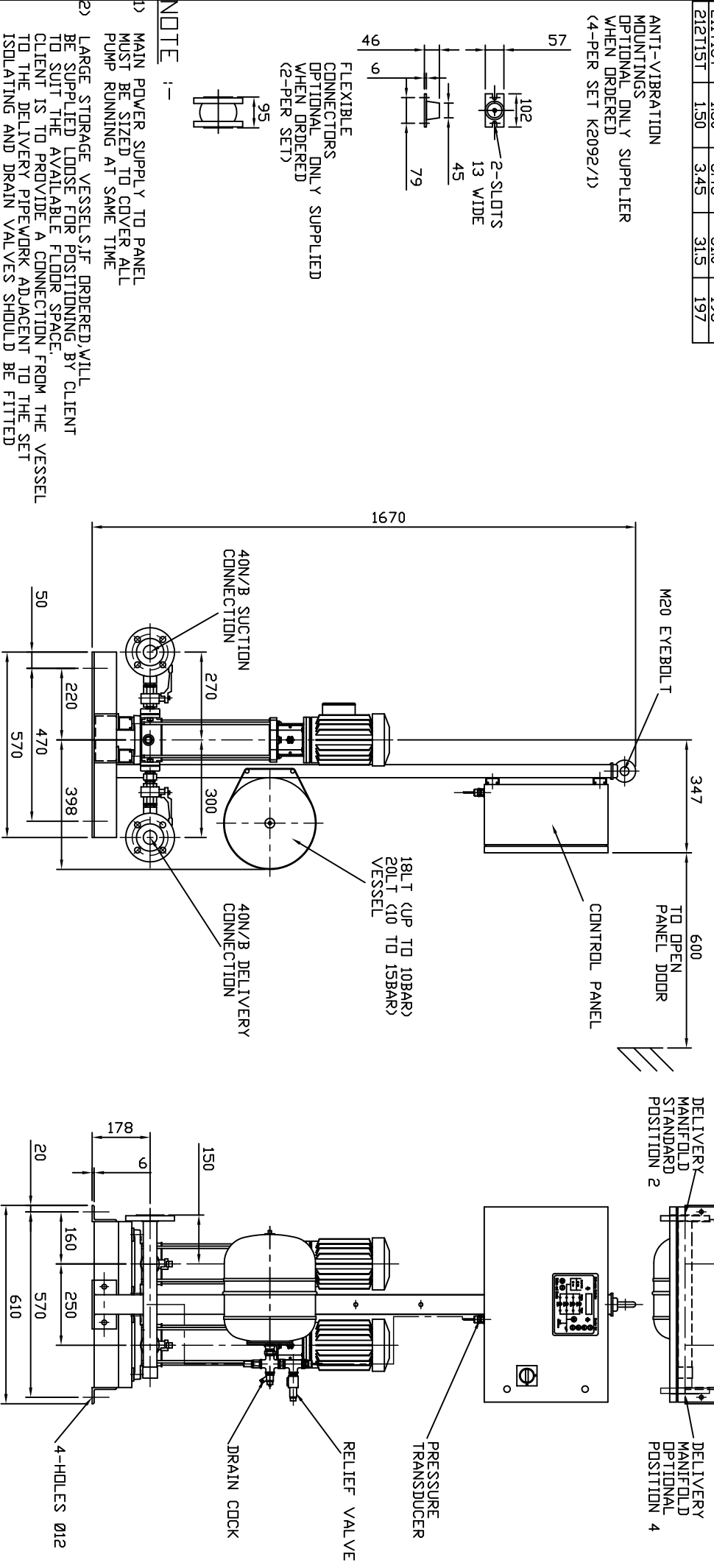


PUMP SIZE	MOTOR KW	FLC AMPS 3x415V	PUMP WEIGHT KGS	SET WEIGHT KGS
202103T	0.37	1.33	17.5	16.9
203103T	0.37	1.33	18.0	17.0
204105T	0.55	1.43	19.0	17.2
205107T	0.75	2.02	21.5	17.7
206107T	1.10	2.61	22.0	17.8
207111T	1.10	2.61	23.0	18.0
208111T	1.10	2.61	23.5	18.1
209111T	1.10	2.61	24.0	18.2
211115T	1.50	3.45	31.0	19.6
212115T	1.50	3.45	31.5	19.7

ALL FLANGES TO BS4504
 MAX WORKING PRESSURE
 TEST PRESSURE

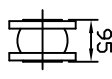
16BAR
 15BAR
 22.5BAR

UNCONTROLLED



ANTI-VIBRATION MOUNTINGS
 OPTIONAL ONLY SUPPLIER WHEN ORDERED (4-PER SET K2092/1)

FLEXIBLE CONNECTORS OPTIONAL ONLY SUPPLIED WHEN ORDERED (2-PER SET)



LAST MODIFICATION DETAILS
 DRAWING BORDER CHANGED

ISSUE	DATE	BY	DRN	PJB
4	CHK	PJB	APP	PJB

ALL DIMENSIONS IN mm
 DRAWN TO BS308
 WELDING SYMBOLS TO BS499
 SURFACE FINISH SHOWN IN MICROMETERS
 MACHINE WHERE SHOWN TO TOLERANCE ± 0.3MM UNLESS OTHERWISE STATED

JOB No.	PART No.	WEIGHT KG	FILE NAME
-	-	-	PX10274-4

DESIGN No.	PATTERN No.	MATERIAL	MAT'L SPEC.
-	-	-	-

TITLE
 GENERAL ARRANGEMENT
 HYDRPAK HML2 SET
 2-PUMP MODELS

DRG No.
PX10274-4

DATE	BY	DRN	BSD
02/10/2002	EGJ	APP	EGJ

ARMSTRONG HOLDEN BROOKE PULLEN

VENLOCK WAY, MANCHESTER, M12 5JL
 TEL: +44 (0) 161 223 2223