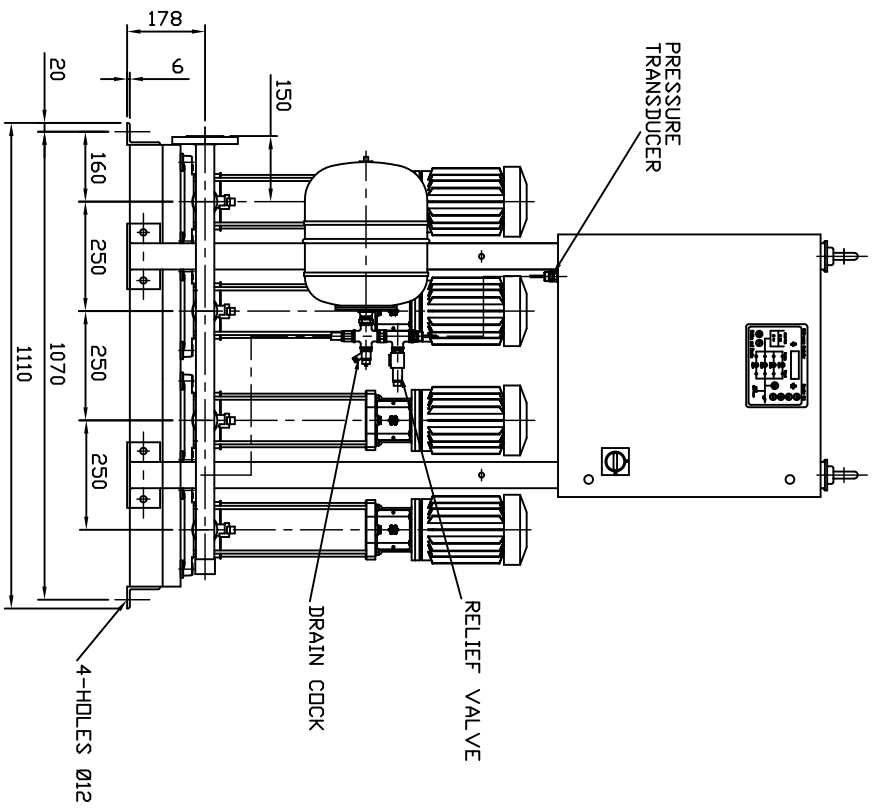
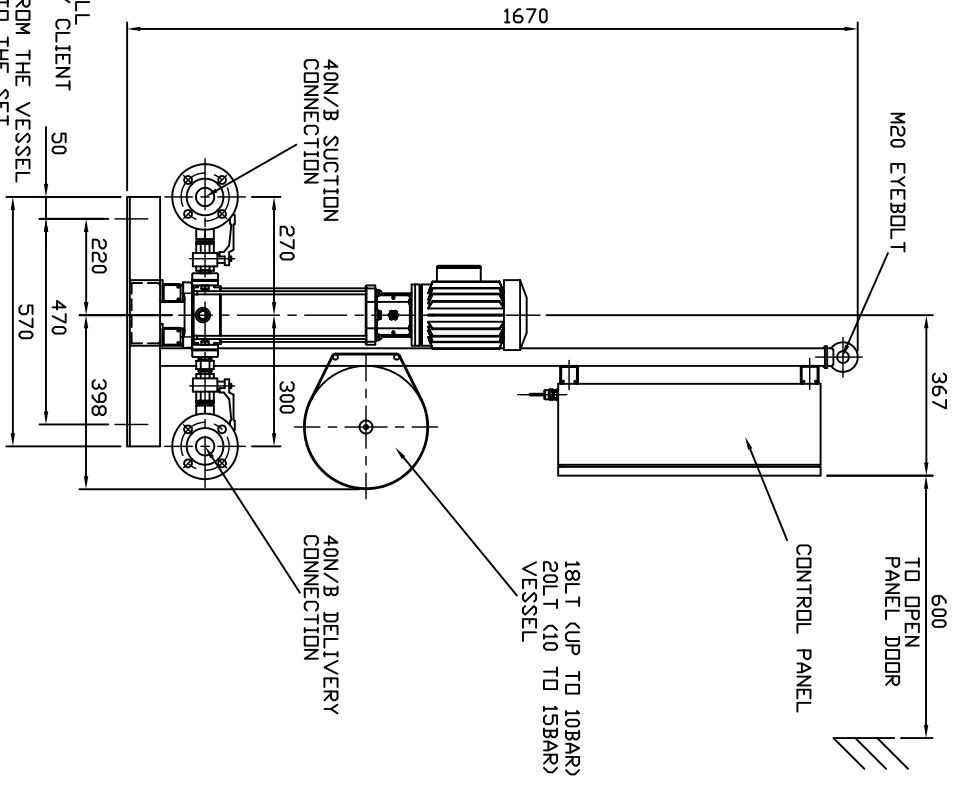
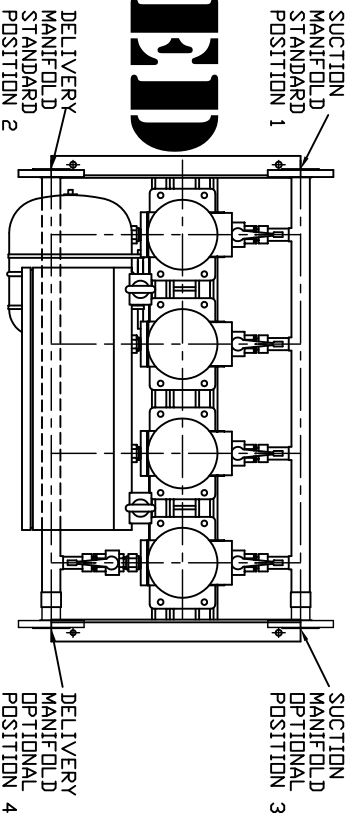


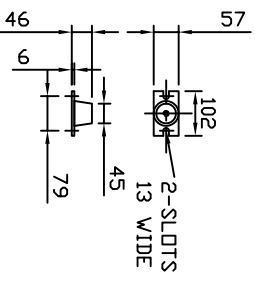
PUMP SIZE	MOTOR KW	FLC AMPS 3x415V	PUMP WEIGHT KGS	SET WEIGHT KGS
202T03T	0.37	1.33	17.5	300
203T03T	0.37	1.33	18.0	302
204T03T	0.55	1.43	19.0	306
205T07T	0.75	2.02	21.5	316
206T07T	0.75	2.02	22.0	318
207T11T	1.10	2.61	23.0	322
208T11T	1.10	2.61	23.5	324
209T11T	1.10	2.61	24.0	326
211T15T	1.50	3.45	31.0	354
212T15T	1.50	3.45	31.5	356

ALL FLANGES TO BS4504
 MAX WORKING PRESSURE 16BAR
 TEST PRESSURE 22.5BAR

UNCONCONTROLLED



ANTI-VIBRATION MOUNTINGS
 OPTIONAL ONLY SUPPLIER WHEN ORDERED
 (4-PER SET K2092/1)



NOTE :-

- 1) MAIN POWER SUPPLY TO PANEL MUST BE SIZED TO COVER ALL PUMP RUNNING AT SAME TIME
- 2) LARGE STORAGE VESSELS, IF ORDERED, WILL BE SUPPLIED LOOSE FOR POSITIONING BY CLIENT TO SUIT THE AVAILABLE FLOOR SPACE. CLIENT IS TO PROVIDE A CONNECTION FROM THE VESSEL TO THE DELIVERY PIPEWORK ADJACENT TO THE SET ISOLATING AND DRAIN VALVES SHOULD BE FITTED IN THIS CONNECTION

LAST MODIFICATION DETAILS

DRAWING BORDER CHANGED

ISSUE	DATE	BY	DRN	PJB
4	02/2006	CHK	PJB	APP

ALL DIMENSIONS IN mm				
DRAWN TO BS308				
WELDING SYMBOLS TO BS499				
SURFACE FINISH SHOWN IN MICROMETERS				
MACHINE WHERE SHOWN TO TOLERANCE ± 0.3MM UNLESS OTHERWISE STATED				
JOB No.	PART No.	WEIGHT KG	FILE NAME	
-	-	-	PX10276-4	
DESIGN No.	PATTERN No.	MATERIAL	MAT'L SPEC.	
-	-	-	-	

TITLE
 GENERAL ARRANGEMENT
 HYDRPAK HML4 SET
 2-PUMP MODELS

DRG No.	PX10276-4
DATE	02/10/2002
CHK	EGJ
SCALE	NTS

ARMSTRONG HOLDEN BROOKE PULLEN

VENLOCK WAY, MANCHESTER, M12 5JL
 TEL: +44 (0) 161 223 2223