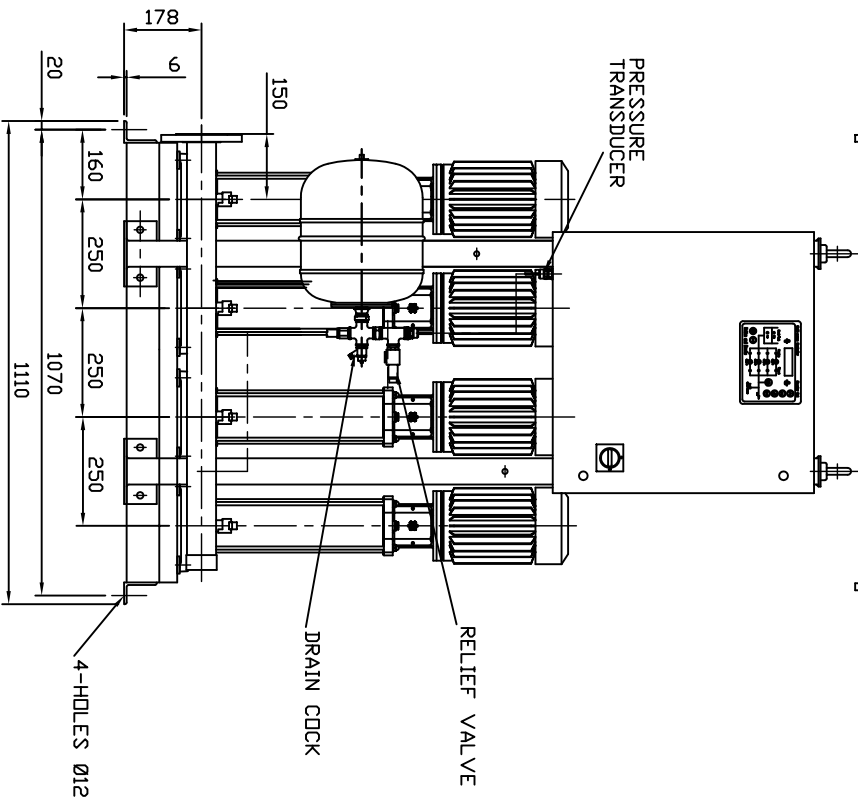
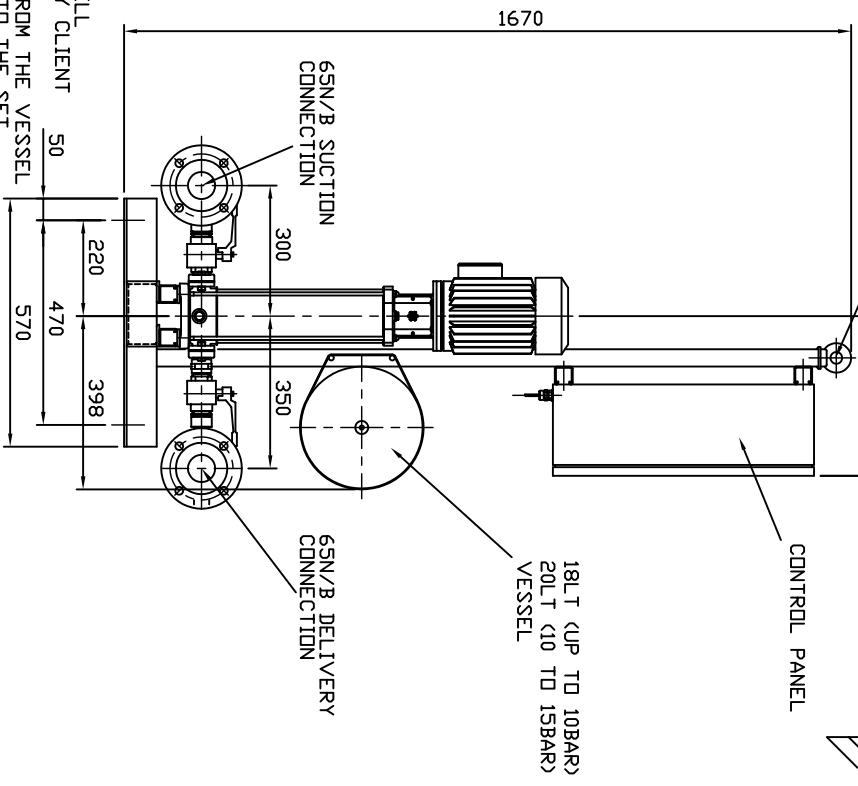
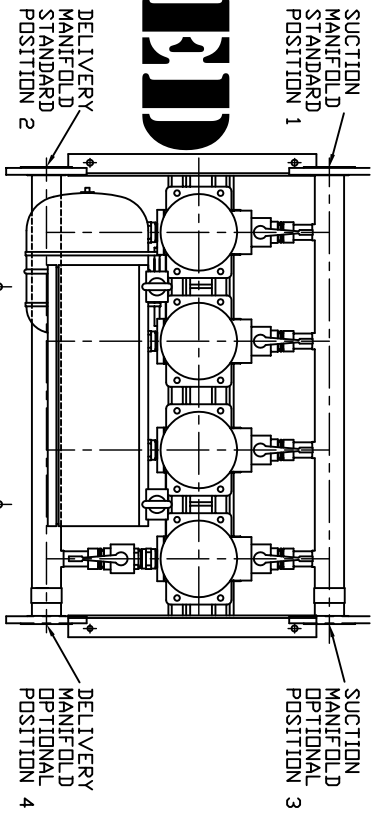


PUMP SIZE	MOTOR KW	FLC AMPS 3x415V	PUMP WEIGHT KGS	SET WEIGHT KGS
402T03T	0.37	1.33	17.5	300
403T05T	0.55	1.43	18.5	304
404T07T	0.75	2.02	21.0	314
405T11T	1.10	2.61	22.0	318
406T11T	1.10	2.61	22.5	320
407T11T	1.10	2.61	23.0	322
408T15T	1.50	3.45	29.5	348
409T15T	1.50	3.45	30.0	350
411T22T	2.20	5.03	32.0	358
413T22T	2.20	5.03	33.0	362
414T30T	3.00	6.22	39.0	386

ALL FLANGES TO BS4504
 MAX WORKING PRESSURE 16BAR
 TEST PRESSURE 22.5BAR

UNCONCONTROLLED



- NOTE :-
- 1) MAIN POWER SUPPLY TO PANEL MUST BE SIZED TO COVER ALL PUMP RUNNING AT SAME TIME
 - 2) LARGE STORAGE VESSELS, IF ORDERED, WILL BE SUPPLIED LOOSE FOR POSITIONING BY CLIENT TO SUIT THE AVAILABLE FLOOR SPACE. CLIENT IS TO PROVIDE A CONNECTION FROM THE VESSEL TO THE DELIVERY PIPEWORK ADJACENT TO THE SET ISOLATING AND DRAIN VALVES SHOULD BE FITTED IN THIS CONNECTION

LAST MODIFICATION DETAILS

DRAWING BORDER CHANGED	ALL DIMENSIONS IN mm DRAWN TO BS308 WELDING SYMBOLS TO BS499 SURFACE FINISH SHOWN IN MICROMETERS	JOB No. -	PART No. -	WEIGHT KG -	FILE NAME PX10279-4
ISSUE 4	DATE 15/02/2006 CHK PJB	DESIGN No. -	PATTERN No. -	MATERIAL -	MAT'L SPEC. -

THIS DRAWING IS THE PRIVATE AND CONFIDENTIAL PROPERTY OF ARMSTRONG HOLDEN BROOKE PULLEN LTD. ALL COPYRIGHT, MANUFACTURING AND SALES RIGHTS RESERVED.

TITLE
 GENERAL ARRANGEMENT
 HYDRPAK HML4 SET
 4-PUMP MODELS

DRG No. PX10279-4	DATE 02/10/2002 CHK EGU	DRN BSD	APP EGU
SCALE NTS	SHEET 1 OF 1		

ARMSTRONG HOLDEN BROOKE PULLEN
 VENLOCK WAY, MANCHESTER, M12 5JL
 TEL: +44 (0) 161 223 2223