

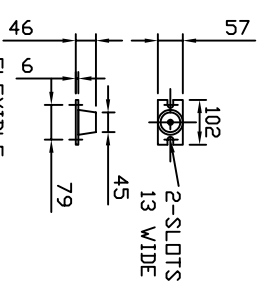
PUMP SIZE	MOTOR KW	FLC AMPS 3x415V	PUMP WEIGHT KGS	SET WEIGHT KGS
802T11T	1.10	2.61	25.5	202
803T15T	1.50	3.45	32.0	215
804T22T	2.20	5.03	34.0	219
805T22T	2.20	5.03	35.0	221
806T30T	3.00	6.22	42.0	235
808T40T	4.00	8.14	58.5	268
809T40T	4.00	8.14	59.5	270

ALL FLANGES TO BS4504
 MAX WORKING PRESSURE
 TEST PRESSURE

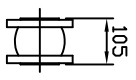
16BAR
 15BAR
 22.5BAR

UNCONTROLLED

ANTI-VIBRATION MOUNTINGS
 OPTIONAL ONLY SUPPLIER WHEN ORDERED
 (4-PER SET K2092/1)

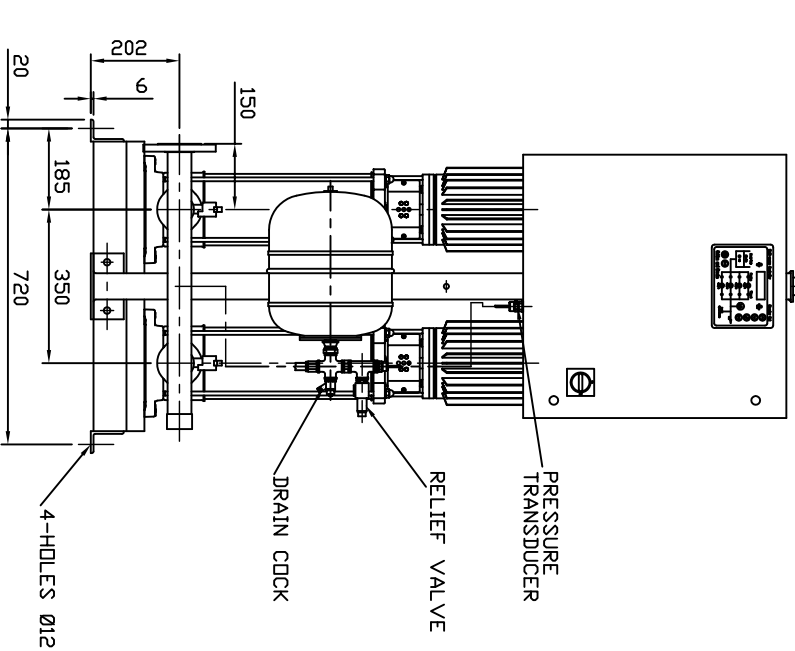
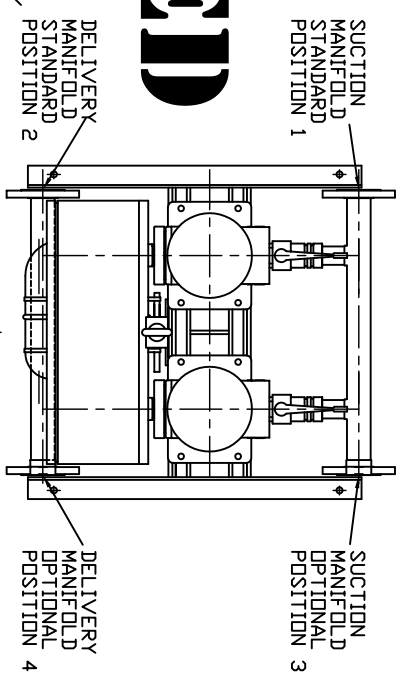
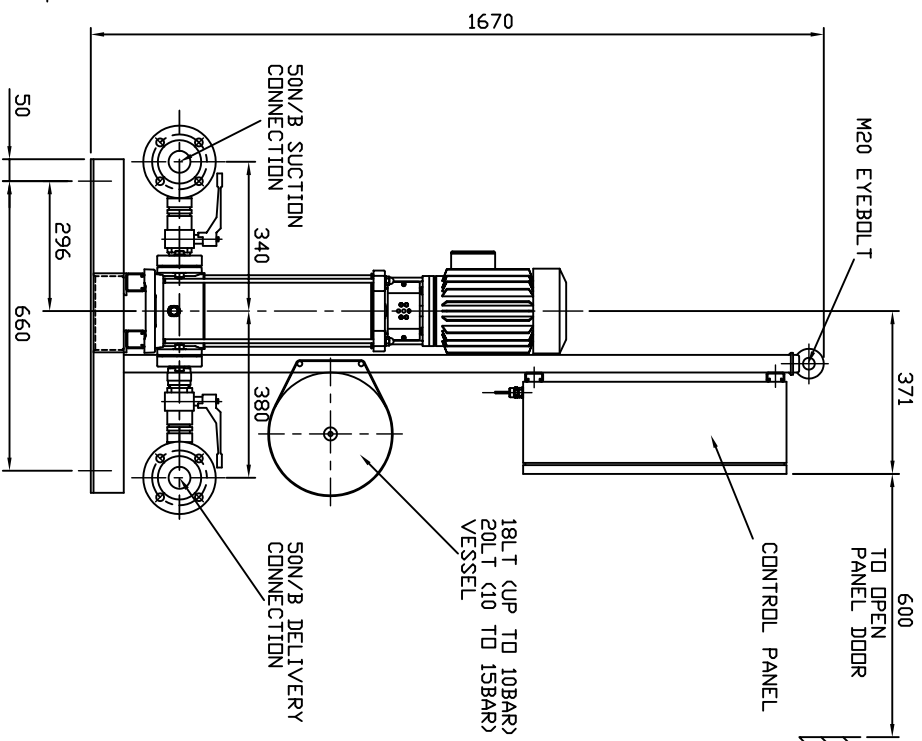


FLEXIBLE CONNECTORS
 OPTIONAL ONLY SUPPLIED WHEN ORDERED (2-PER SET)



NOTE :-

- 1) MAIN POWER SUPPLY TO PANEL MUST BE SIZED TO COVER ALL PUMP RUNNING AT SAME TIME
- 2) LARGE STORAGE VESSELS IF ORDERED WILL BE SUPPLIED LOOSE FOR POSITIONING BY CLIENT TO SUIT THE AVAILABLE FLOOR SPACE. CLIENT IS TO PROVIDE A CONNECTION FROM THE VESSEL TO THE DELIVERY PIPEWORK ADJACENT TO THE SET ISOLATING AND DRAIN VALVES SHOULD BE FITTED IN THIS CONNECTION



LAST MODIFICATION DETAILS

DRAWING BORDER CHANGED	ALL DIMENSIONS IN mm DRAWN TO BS308 WELDING SYMBOLS TO BS499 SURFACE FINISH SHOWN IN MICROMETERS
ISSUE DATE 15/02/2006	DRN PJB
CHK PJB	APP PJB

JOB No. -
 PART No. -
 WEIGHT KG -
 FILE NAME px10280-4

DESIGN No. -
 PATTERN No. -
 MATERIAL -
 MAT'L SPEC. -

THIS DRAWING IS THE PRIVATE AND CONFIDENTIAL PROPERTY OF ARMSTRONG HOLDEN BROOKE PULLEN LTD. ALL COPYRIGHT, MANUFACTURING AND SALES RIGHTS RESERVED.

TITLE
 GENERAL ARRANGEMENT
 HYDRPAK HML2 SET
 8-PUMP MODELS

DRG No. PX10280-4	
DATE 02/10/2002	DRN BSD
CHK EGU	APP EGU
SCALE NTS	SHEET 1 OF 1

ARMSTRONG HOLDEN BROOKE PULLEN

VENLOCK WAY, MANCHESTER, M12 5JL
 TEL: +44 (0) 161 223 2223