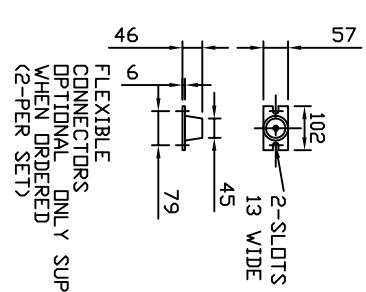


| MAIN PUMP SIZE | MOTOR KW | FLC AMPS 3x415V | PUMP WEIGHT KGS | JOCKEY PUMP SIZE | MOTOR KW | FLC AMPS 3x415V | PUMP WEIGHT KGS | SET WEIGHT KGS |
|----------------|----------|-----------------|-----------------|------------------|----------|-----------------|-----------------|----------------|
| 802T11T | 1.10 | 2.61 | 25.5 | 203T03T | 0.37 | 1.33 | 18.0 | 287 |
| 803T15T | 1.50 | 3.45 | 32.0 | 204T05T | 0.55 | 1.43 | 19.0 | 300 |
| 804T22T | 2.20 | 5.03 | 34.0 | 206T07T | 0.75 | 2.20 | 22.0 | 307 |
| 805T22T | 2.20 | 5.03 | 35.0 | 207T11T | 1.10 | 2.61 | 23.0 | 310 |
| 806T30T | 3.00 | 6.22 | 42.0 | 208T11T | 1.10 | 2.61 | 23.5 | 325 |
| 808T40T | 4.00 | 8.14 | 58.5 | 211T15T | 1.50 | 3.45 | 31.0 | 366 |
| 809T40T | 4.00 | 8.14 | 59.5 | 212T15T | 1.50 | 3.45 | 31.5 | 368 |

ALL FLANGES TO BS4504
 MAX WORKING PRESSURE
 TEST PRESSURE

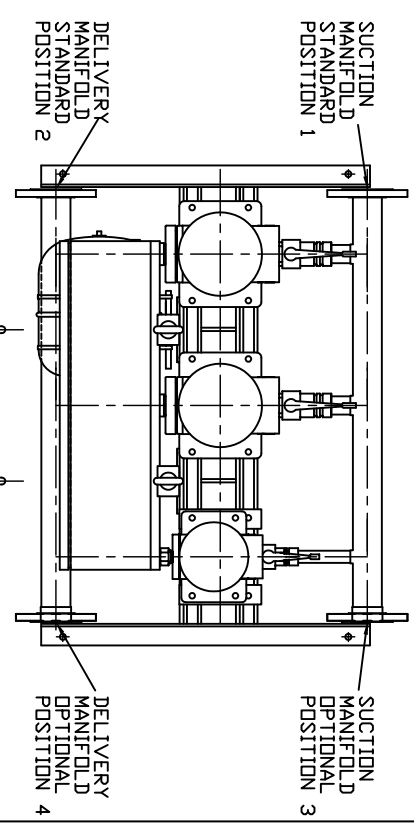
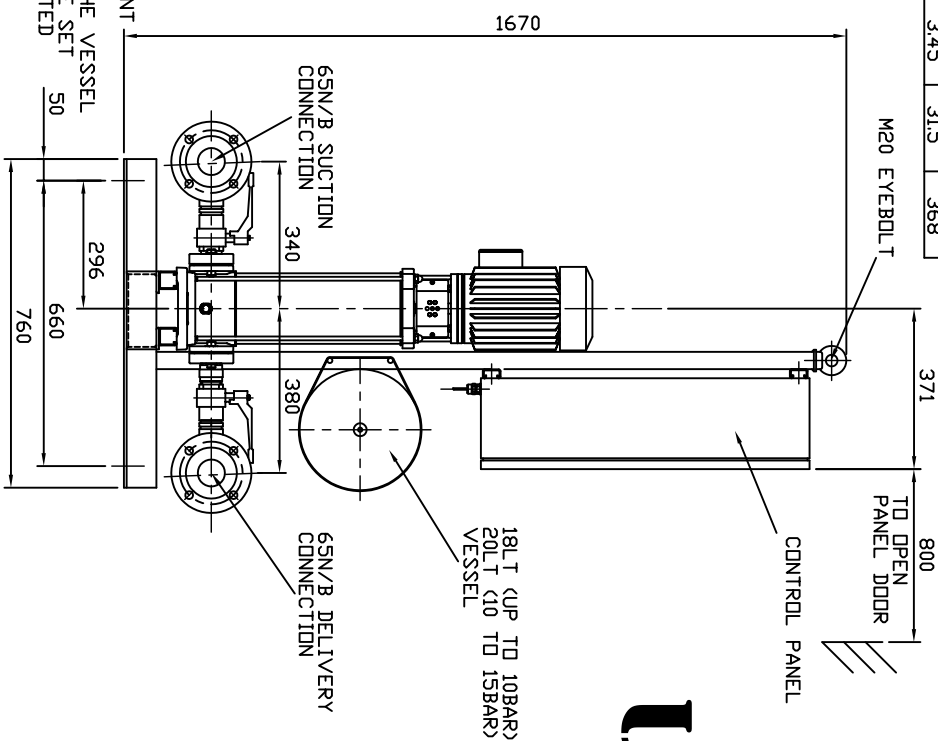
16BAR
 15BAR
 22.5BAR

ANTI-VIBRATION MOUNTINGS
 OPTIONAL ONLY SUPPLIER WHEN ORDERED
 (4-PER SET K2092/1)

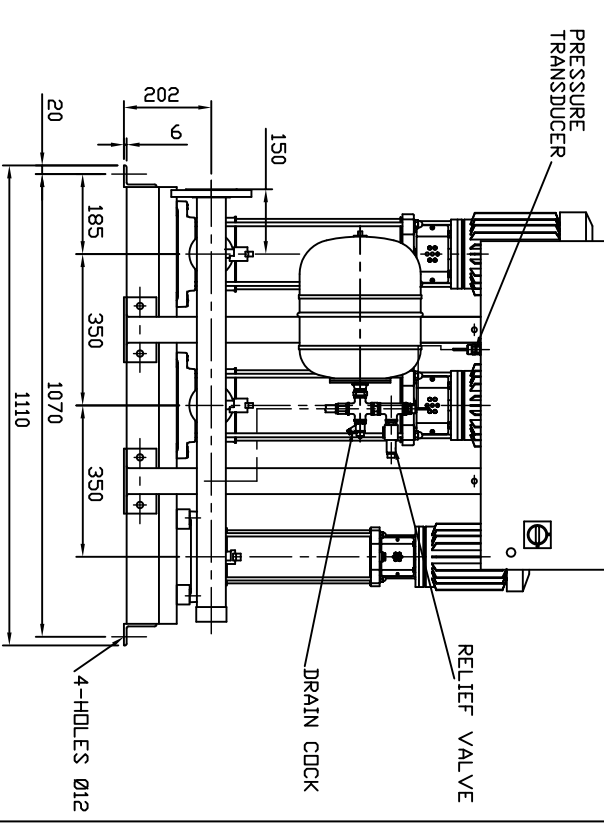


NOTE :-

- 1) MAIN POWER SUPPLY TO PANEL MUST BE SIZED TO COVER ALL PUMP RUNNING AT SAME TIME
- 2) LARGE STORAGE VESSELS IF ORDERED WILL BE SUPPLIED LOOSE FOR POSITIONING BY CLIENT TO SUIT THE AVAILABLE FLOOR SPACE. CLIENT IS TO PROVIDE A CONNECTION FROM THE VESSEL TO THE DELIVERY PIPEWORK ADJACENT TO THE SET ISOLATING AND DRAIN VALVES SHOULD BE FITTED IN THIS CONNECTION



UNCONTROLLED



| | | | | | | | | | |
|--|--|---------------------------|--|--------------------------------|--|-------------------------------------|--|--|--|
| LAST MODIFICATION DETAILS | | JOB No. - | | PART No. - | | WEIGHT KG - | | FILE NAME - | |
| DRAWING BORDER CHANGED | | DESIGN No. - | | PATTERN No. - | | MATERIAL - | | MAT'L SPEC. - | |
| ISSUE 4 | | DATE 15/02/2006 | | DRN PJB | | APP PJB | | TITLE | |
| CHK PJB | | APP PJB | | MATERIAL | | MAT'L SPEC. | | GENERAL ARRANGEMENT | |
| ALL DIMENSIONS IN mm | | DRAWN TO BS308 | | WELDING SYMBOLS TO BS499 | | SURFACE FINISH SHOWN IN MICROMETERS | | MACHINE WHERE SHOWN TO TOLERANCE ± 0.3MM UNLESS OTHERWISE STATED | |
| THIS DRAWING IS THE PRIVATE AND CONFIDENTIAL PROPERTY OF ARMSTRONG HOLDEN BROOKE PULLEN LTD. ALL COPYRIGHT, MANUFACTURING AND SALES RIGHTS RESERVED. | | DATE 10/10/2002 | | DRN BSD | | SCALE NTS | | SHEET 1 OF 1 | |
| VENLOCK WAY, MANCHESTER, M12 5JL | | TEL: +44 (0) 161 223 2223 | | ARMSTRONG HOLDEN BROOKE PULLEN | | DRG No. PX10283-4 | | VENLOCK WAY, MANCHESTER, M12 5JL | |