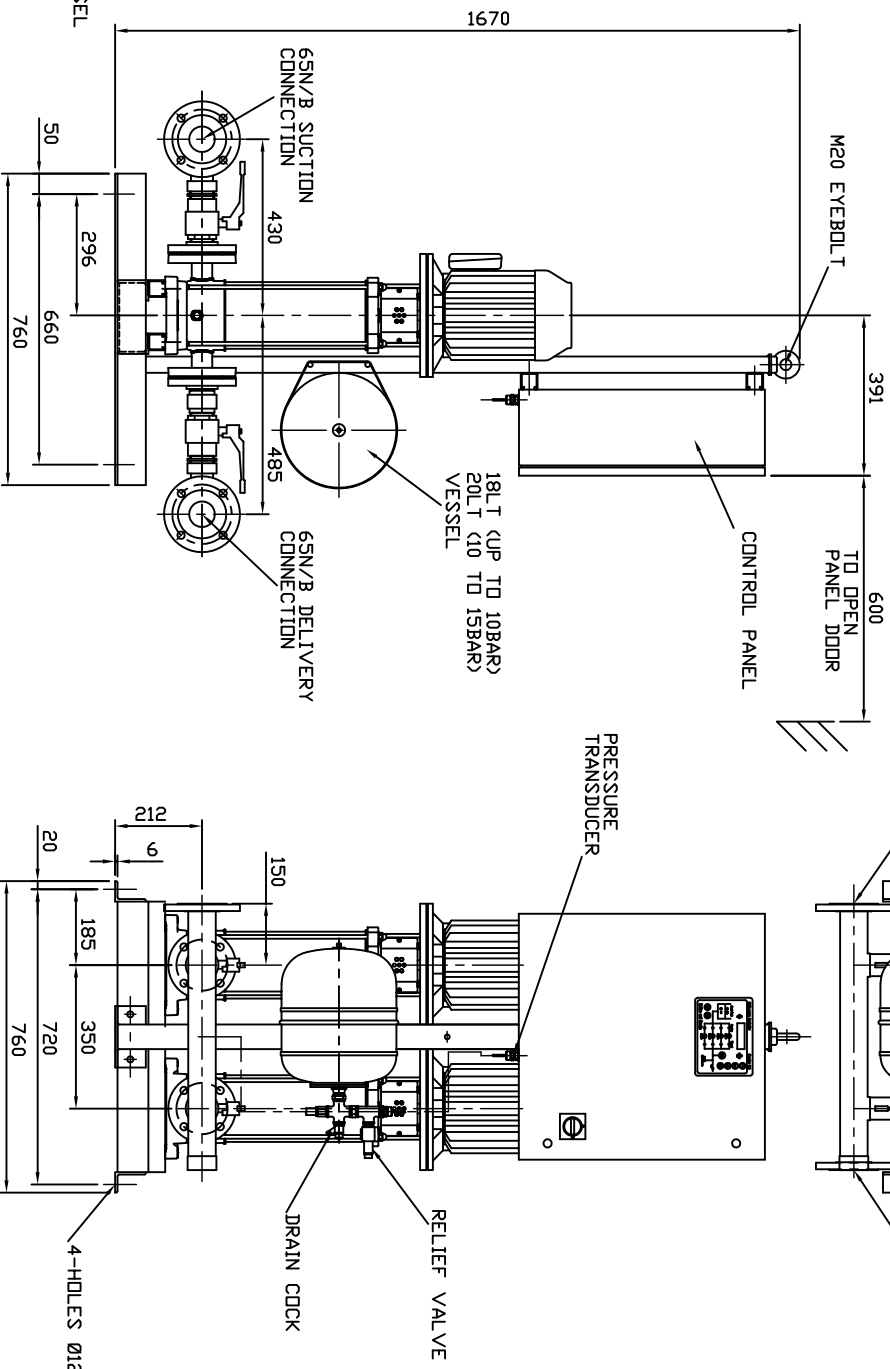
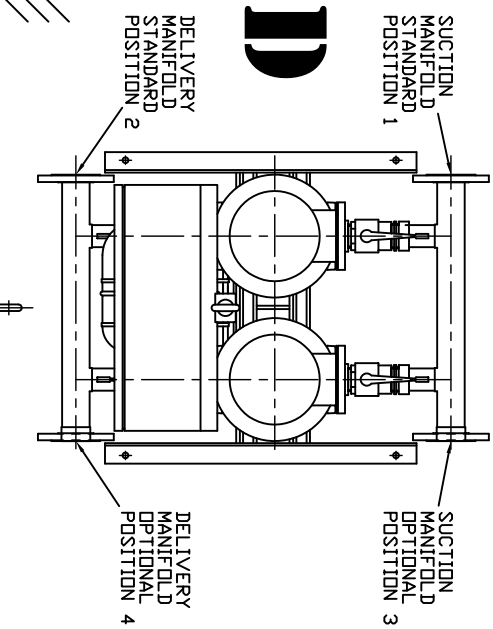


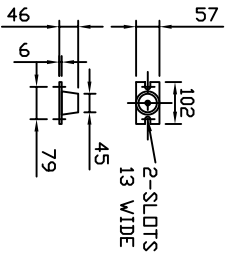
PUMP SIZE	MOTOR KW	FLC AMPS 3x415V	PUMP WEIGHT KGS	SET WEIGHT KGS
1602F22T	2.20	5.03	32.0	239
1603F30T	3.00	6.22	38.0	251
1604F40T	4.00	8.14	55.5	286
1605F55T	5.50	11.0	68.0	311
1606F55T	5.50	11.0	69.0	313
1607F75T	7.50	14.6	74.0	353
1608F75T	7.50	14.6	75.0	355

ALL FLANGES TO BS4504
 MAX WORKING PRESSURE
 TEST PRESSURE
 16BAR
 15BAR
 22.5BAR

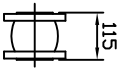
UNCONTROLLED



ANTI-VIBRATION MOUNTINGS OPTIONAL ONLY SUPPLIER WHEN ORDERED (4-PER SET K2092/1)



FLEXIBLE CONNECTORS OPTIONAL ONLY SUPPLIED WHEN ORDERED (2-PER SET)



- NOTE :-**
- 1) MAIN POWER SUPPLY TO PANEL MUST BE SIZED TO COVER ALL PUMP RUNNING AT SAME TIME
 - 2) LARGE STORAGE VESSELS IF ORDERED WILL BE SUPPLIED LOOSE FOR POSITIONING BY CLIENT TO SUIT THE AVAILABLE FLOOR SPACE. CLIENT IS TO PROVIDE A CONNECTION FROM THE VESSEL TO THE DELIVERY PIPEWORK ADJACENT TO THE SET ISOLATING AND DRAIN VALVES SHOULD BE FITTED IN THIS CONNECTION

LAST MODIFICATION DETAILS
 DRAWING BORDER CHANGED

ISSUE 4	DATE 15/02/2006	DRN PJB	APP PJB
CHK PJB			

ALL DIMENSIONS IN mm DRAWN TO BS308 WELDING SYMBOLS TO BS499 SURFACE FINISH SHOWN IN MICROMETERS MACHINERY WHERE SHOWN TO TOLERANCE ± 0.3MM UNLESS OTHERWISE STATED	JOB No. -	PART No. -	WEIGHT KG -	FILE NAME - px10285-4
	DESIGN No. -	PATTERN No. -	MATERIAL -	MAT'L SPEC. -

TITLE
 GENERAL ARRANGEMENT
 HYDRPAK HML2 SET
 16-PUMP MODELS

DRG No. PX10285-4	
DATE 10/10/2002	DRN BSD
CHK EGU	APP EGU
SCALE NTS	SHEET 1 OF 1

ARMSTRONG HOLDEN BROOKE PULLEN
 VENLOCK WAY, MANCHESTER, M12 5JL
 TEL: +44 (0) 161 223 2223