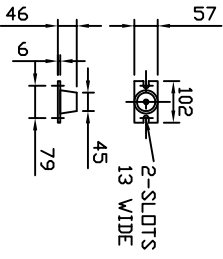


ALL FLANGES TO BS4504
 MAX WORKING PRESSURE 16BAR
 TEST PRESSURE 22.5BAR

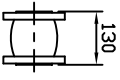
| MAIN PUMP SIZE | MOTOR KW | FLC AMPS 3x415V | PUMP WEIGHT KGS | Jockey PUMP SIZE | MOTOR KW | FLC AMPS 3x415V | PUMP WEIGHT KGS | SET WEIGHT KGS |
|----------------|----------|-----------------|-----------------|------------------|----------|-----------------|-----------------|----------------|
| 160PE22T | 2.20 | 5.03 | 32.0 | 404107T | 0.75 | 2.02 | 21.0 | 337 |
| 160330T | 3.00 | 6.22 | 38.0 | 40611T | 1.10 | 2.61 | 22.5 | 351 |
| 160440T | 4.00 | 8.14 | 55.5 | 40711T | 1.10 | 2.61 | 23.0 | 387 |
| 160555T | 5.50 | 11.0 | 68.0 | 409115T | 1.50 | 3.45 | 30.0 | 418 |
| 160655T | 5.5 | 11.0 | 69.0 | 41122T | 2.20 | 5.03 | 32.0 | 422 |
| 160775T | 7.50 | 14.6 | 74.0 | 41322T | 2.20 | 5.03 | 33.0 | 472 |
| 160875T | 7.50 | 14.6 | 75.0 | 41430T | 3.00 | 6.22 | 39.0 | 480 |

UNCONTROLLED

ANTI-VIBRATION MOUNTINGS OPTIONAL ONLY SUPPLIER WHEN ORDERED (4-PER SET K2092//1)

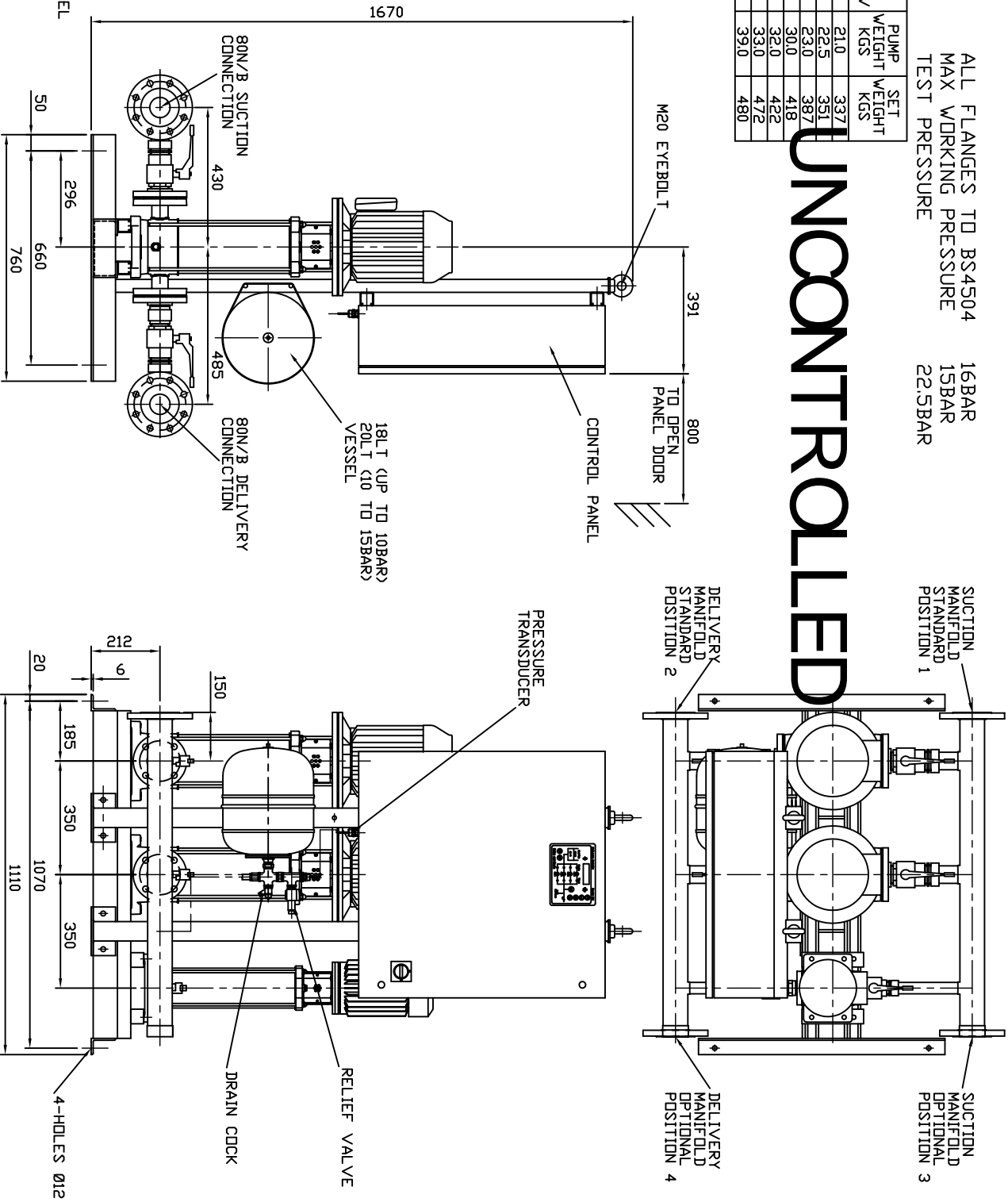


FLEXIBLE CONNECTORS OPTIONAL ONLY SUPPLIED WHEN ORDERED (2-PER SET)



NOTE :-

- 1) MAIN POWER SUPPLY TO PANEL MUST BE SIZED TO COVER ALL PUMP RUNNING AT SAME TIME
- 2) LARGE STORAGE VESSELS IF ORDERED WILL BE SUPPLIED LOOSE FOR POSITIONING BY CLIENT TO SUIT THE AVAILABLE FLOOR SPACE. CLIENT IS TO PROVIDE A CONNECTION FROM THE VESSEL TO THE DELIVERY PIPEWORK ADJACENT TO THE SET ISOLATING AND DRAIN VALVES SHOULD BE FITTED IN THIS CONNECTION



| | | | | | | | | | |
|--|--|-------------------------|--|---|--|-----------|--|---|--|
| LAST MODIFICATION DETAILS | | JOB No. | | PART No. | | WEIGHT KG | | FILE NAME | |
| DRAWING BORDER CHANGED | | - | | - | | - | | PX10288-4 | |
| ALL DIMENSIONS IN mm DRAWING TO BS308 WELDING SYMBOLS TO BS499 SURFACE FINISH SHOWN IN MICROMETERS MACHINE WHERE SHOWN IN TOLERANCE ± 0.3MM UNLESS OTHERWISE STATED | | DESIGN No. | | PATTERN No. | | MATERIAL | | MAT'L SPEC. | |
| - | | - | | - | | - | | - | |
| ISSUE DATES/02/2006 DRN PJB | | DATE 11/10/2002 DRN BSD | | DRG No. | | TITLE | | ARMSTRONG HOLDEN BROOKE PULLEN | |
| 4 CHK PJB APP PJB | | PX10288-4 | | GENERAL ARRANGEMENT HYDROPAC HML2+JOCKEY SET 16-PUMP+4-JOCKEY PUMP MODELS | | - | | VENLOCK WAY, MANCHESTER, M12 5JL TEL: +44 (0) 161 223 2223 | |

