

REMOVE BURRS AND SHARP EDGES

IF IN DOUBT ASK

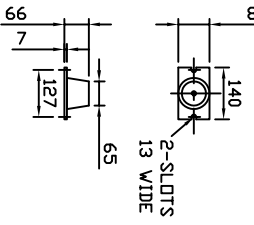
DO NOT SCALE

THIRD ANGLE PROJECTION

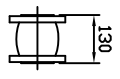
ALL FLANGES TO BS4504  
 MAX WORKING PRESSURE 16BAR  
 TEST PRESSURE 22.5BAR

PUMP SIZE	MOTOR KW	FLC AMPS 3x415V	PUMP WEIGHT KGS	SET WEIGHT KGS
3301/1F2E2T	2.20	5.03	65	395
3301F30T	3.00	6.01	70	405
3302/2F40T	4.00	8.02	78	411
3302/1F40T	4.00	8.02	78	411
3302F55T	5.50	10.0	96	465
3303/2F55T	5.50	10.0	100	473
3303/1F75T	7.50	13.4	106	483
3303F75T	7.50	13.4	106	485
3304/2F75T	11.0	20.0	140	553
3304/1F110T	11.0	20.0	140	553
3304F110T	11.0	20.0	144	561
3305/2F110T	11.0	20.0	144	561
3305/1F110T	15.0	27.0	174	621
3306/2F150T	15.0	27.0	178	629
3306/1F150T	15.0	27.0	178	629

ANTI-VIBRATION MOUNTINGS OPTIONAL ONLY SUPPLIER WHEN ORDERED  
 (4-PER SET K2092/10)



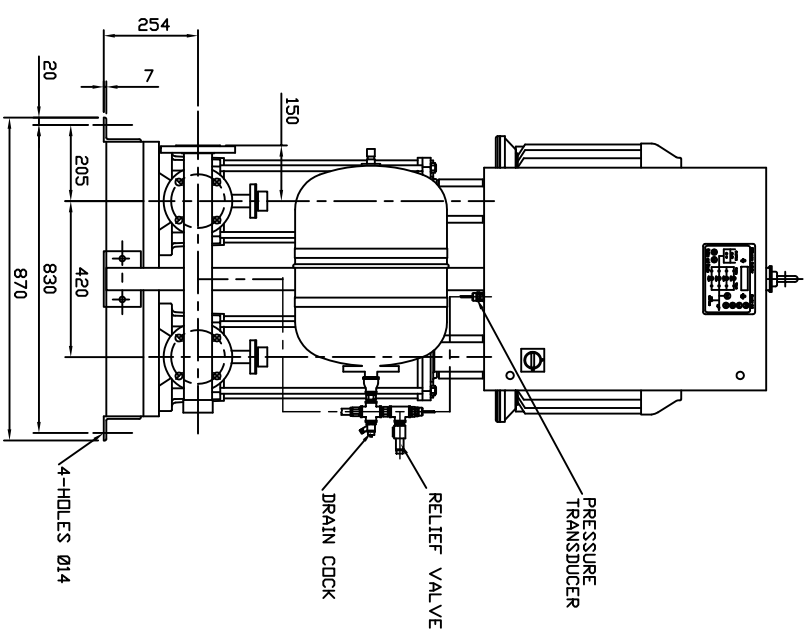
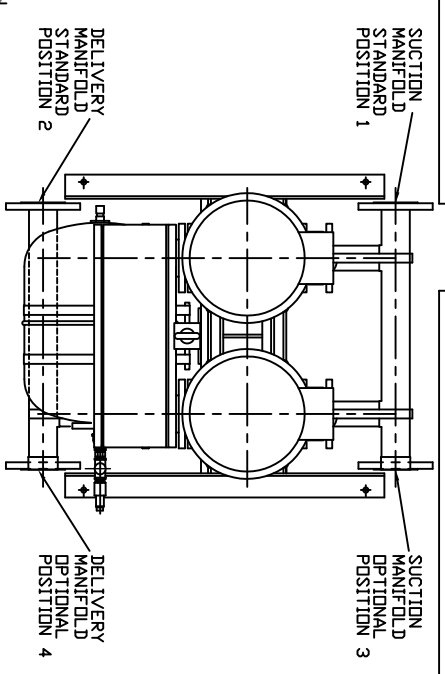
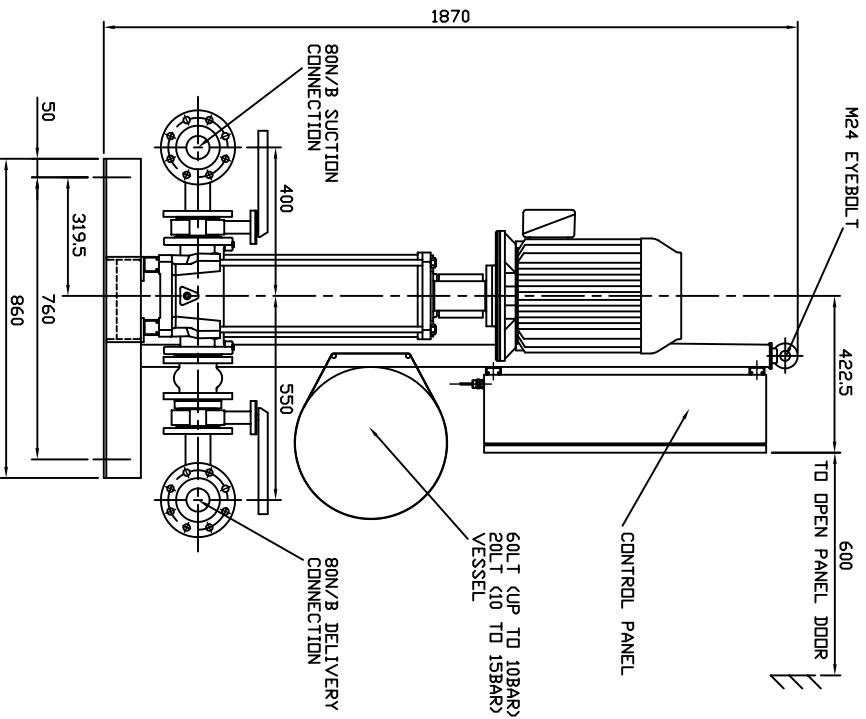
FLEXIBLE CONNECTORS OPTIONAL ONLY SUPPLIED WHEN ORDERED (2-PER SET)



NOTE :-

- 1) MAIN POWER SUPPLY TO PANEL MUST BE SIZED TO COVER ALL PUMP RUNNING AT SAME TIME
- 2) LARGE STORAGE VESSELS IF ORDERED WILL BE SUPPLIED LOOSE FOR POSITIONING BY CLIENT TO SUIT THE AVAILABLE FLOOR SPACE. CLIENT IS TO PROVIDE A CONNECTION FROM THE VESSEL TO THE DELIVERY PIPEWORK ADJACENT TO THE SET ISOLATING AND DRAIN VALVES SHOULD BE FITTED IN THIS CONNECTION

# UNCONTROLLED



LAST MODIFICATION DETAILS  
 DRAWING BORDER CHANGED

JOB No. -  
 PART No. -  
 WEIGHT KG -  
 FILE NAME px10485-1

TITLE  
 GENERAL ARRANGEMENT  
 HYDRPAK HML2 SET  
 33-PUMP MODELS

DRG No. PX10485-1



ISSUE 1	DATE 15/02/2006	DRN PJB	APP PJB
---------	-----------------	---------	---------

ALL DIMENSIONS IN mm  
 DRAWN TO BS308  
 WELDING SYMBOLS TO BS499  
 SURFACE FINISH SHOWN IN MICRO METERS  
 MACHINE WHERE SHOWN TO TOLERANCE ± 0.3MM UNLESS OTHERWISE STATED

DESIGN No.	PATTERN No.	MATERIAL	MAT'L SPEC.
-	-	-	-

THIS DRAWING IS THE PRIVATE AND CONFIDENTIAL PROPERTY OF ARMSTRONG HOLDEN BROOKE PULLEN LTD. ALL COPYRIGHT, MANUFACTURING AND SALES RIGHTS RESERVED.

DATE 23/06/2004	DRN BSD
CHK EGJ	APP EGJ
SCALE NTS	SHEET 1 OF 1

VENLOCK WAY, MANCHESTER, M12 5JL  
 TEL: +44 (0) 161 223 2223