

REMOVE BURRS AND SHARP EDGES

IF IN DOUBT ASK

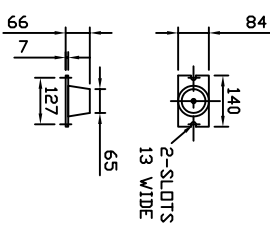
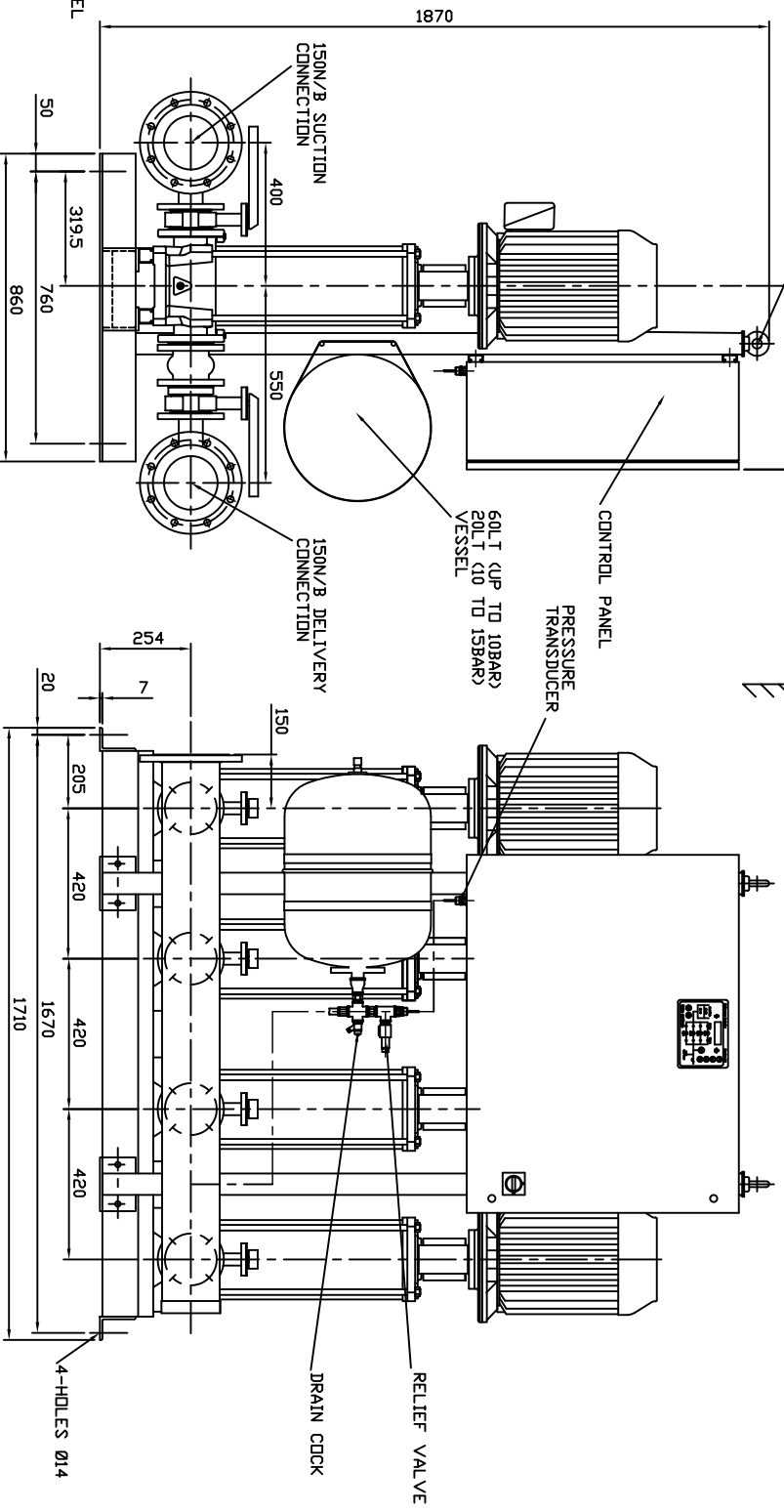
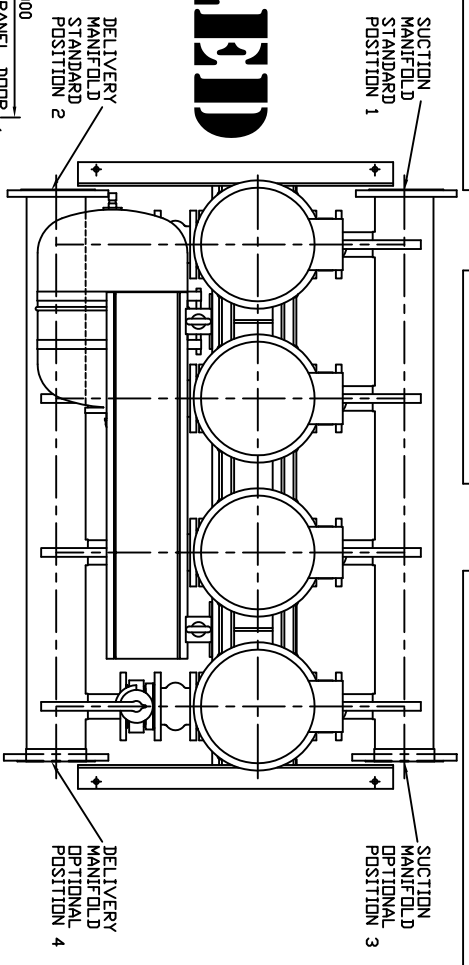
DO NOT SCALE

THIRD ANGLE PROJECTION

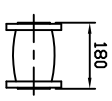
PUMP SIZE	MOTOR KW	FLC AMPS 3x415V	PUMP WEIGHT KGS	SET WEIGHT KGS
3301/1F2E2T	2.20	5.03	65	747
3301F30T	3.00	6.01	70	767
3302/2F40T	4.00	8.02	78	799
3302/1F40T	4.00	8.02	78	799
3302F55T	5.50	10.0	96	871
3303/2F55T	5.50	10.0	100	887
3303/1F75T	7.50	13.4	106	911
3303F75T	7.50	13.4	106	911
3304/2F75T	7.50	13.4	110	927
3304/1F10T	11.0	20.0	140	1047
3304F110T	11.0	20.0	144	1063
3305/2F110T	11.0	20.0	144	1063
3305/1F110T	11.0	20.0	144	1063
3305F150T	15.0	27.0	174	1183
3306/2150T	15.0	27.0	178	1199
3306/1F150T	15.0	27.0	178	1199

UNCONTROLLED

ALL FLANGES TO BS4504
 MAX WORKING PRESSURE 16BAR
 TEST PRESSURE 22.5BAR



FLEXIBLE CONNECTORS OPTIONAL ONLY SUPPLIED WHEN ORDERED (2-PER SET)



NOTE :-

- 1) MAIN POWER SUPPLY TO PANEL MUST BE SIZED TO COVER ALL PUMP RUNNING AT SAME TIME
- 2) LARGE STORAGE VESSELS IF ORDERED WILL BE SUPPLIED LOOSE FOR POSITIONING BY CLIENT TO SUIT THE AVAILABLE FLOOR SPACE. CLIENT IS TO PROVIDE A CONNECTION FROM THE VESSEL TO THE DELIVERY PIPEWORK ADJACENT TO THE SET ISOLATING AND DRAIN VALVES SHOULD BE FITTED IN THIS CONNECTION

ANTI-VIBRATION MOUNTINGS OPTIONAL ONLY SUPPLIER WHEN ORDERED (4-PER SET K2092/10)

LAST MODIFICATION DETAILS
 DRAWING BORDER CHANGED

ISSUE 1	DATE 15/02/2006	DRN PJB	APP PJB
CHK PJB			

JOB No. -
 PART No. -
 WEIGHT KG -
 FILE NAME px10487-1

ALL DIMENSIONS IN mm
 DRAWN TO BS308
 WELDING SYMBOLS TO BS499
 SURFACE FINISH SHOWN IN MICROMETERS
 MACHINE WHERE SHOWN TO TOLERANCE ± 0.3MM UNLESS OTHERWISE STATED

TITLE
 GENERAL ARRANGEMENT
 HYDRPAK HML4 SET
 33-PUMP MODELS

DESIGN No. -
 PATTERN No. -
 MATERIAL -
 MAT'L SPEC. -

DRG No. PX10487-1

DATE 23/06/2004
 DRN BSD
 CHK EGU
 APP EGU
 SCALE NTS
 SHEET 1 OF 1



VENLOCK WAY, MANCHESTER, M12 5JL
 TEL: +44 (0) 161 223 2223