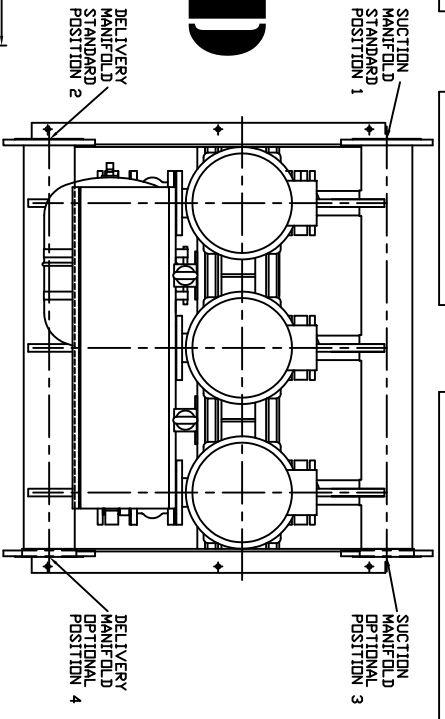


PUMP SIZE	MOTOR KW	FLC AMPS 3x415V	PUMP WEIGHT KGS	SET WEIGHT KGS
4601/1E/30T	3.00	6.01	75	664
4601F/40T	4.00	8.02	80	679
4602/2E/55T	5.50	10.0	102	745
4602F/75T	7.50	13.4	108	763
4603/2E/10T	11.0	20.0	142	965
4603F/10T	11.0	20.0	142	965
4604/2E/150T	15.0	27.0	176	967
4604F/150T	15.0	27.0	176	967
4605/2E/185T	18.5	33.1	198	1093
4605F/185T	18.5	33.1	198	1093

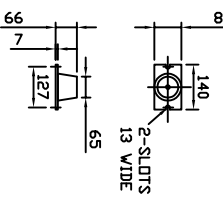
UNCONTROLLED

ALL FLANGES TO BS4504
 MAX WORKING PRESSURE
 TEST PRESSURE

16BAR
 15BAR
 22.5BAR



ANTI-VIBRATION MOUNTINGS INDICATED ONLY SUPPLIER WHEN ORDERED (6-PER SET K2092/10)

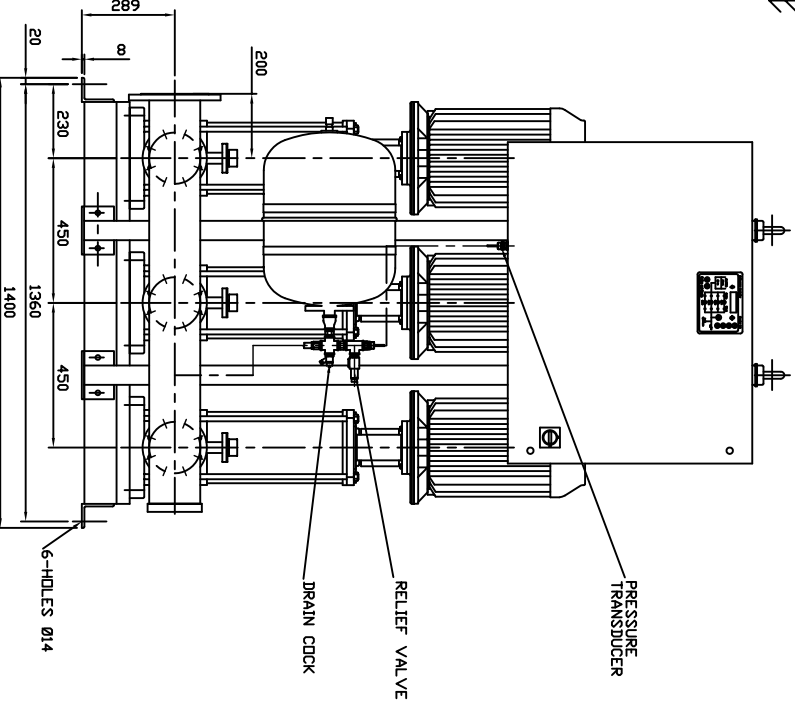
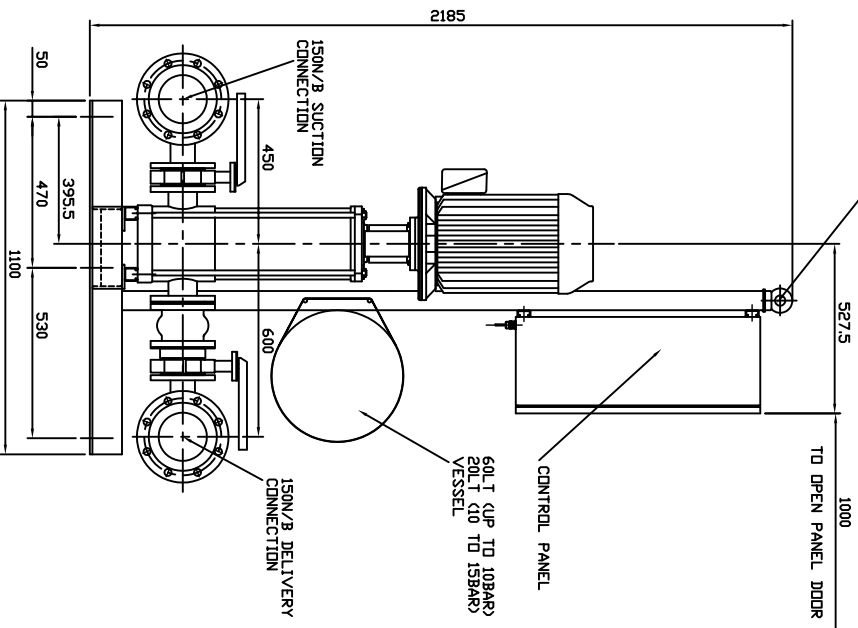


FLEXIBLE CONNECTORS OPTIONAL ONLY SUPPLIED WHEN ORDERED (6-PER SET)



NOTE :-

- 1) MAIN POWER SUPPLY TO PANEL MUST BE SIZED TO COVER PUMP RUNNING AT SAME TIME
- 2) LARGE STORAGE VESSEL SIF ORDERED WILL BE SUPPLIED LOOSE FOR POSITIONING BY CLIENT TO SUIT THE AVAILABLE FLOOR SPACE. CLIENT IS TO PROVIDE A CONNECTION FROM THE VESSEL TO THE DELIVERY PIPEWORK ADJACENT TO THE SET ISOLATING AND DRAIN VALVES SHOULD BE FITTED IN THIS CONNECTION



LAST MODIFICATION DETAILS
 DRAWING BORDER CHANGED

ISSUE	DATE	BY	APP
1	02/2006	DRN PJB	APP PJB

ALL DIMENSIONS IN mm
 DRAWN TO BS308
 WELDING SYMBOLS TO BS499
 SURFACE FINISH SHOWN IN MICRO METERS
 MACHINE WHERE SHOWN TO TOLERANCE ± 0.3MM UNLESS OTHERWISE STATED

JOB No.	PART No.	WEIGHT KG	FILE NAME
-	-	-	PX10543-1

DESIGN No.	PATTERN No.	MATERIAL	MAT'L SPEC.
-	-	-	-

THIS DRAWING IS THE PRIVATE AND CONFIDENTIAL PROPERTY OF ARMSTRONG HOLDEN BROOKE PULLEN LTD. ALL COPYRIGHT, MANUFACTURING AND SALES RIGHTS RESERVED.

TITLE
 GENERAL ARRANGEMENT
 HYDRPAK HML3 SET
 46-PUMP MODELS

DRG No.
PX10543-1

DATE	BY	APP
22/09/2004	DRN BSD	APP EGU

SCALE NTS SHEET 1 OF 1



VENLOCK WAY, MANCHESTER, M12 5JL
 TEL: +44 (0) 161 223 2223