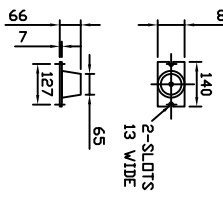
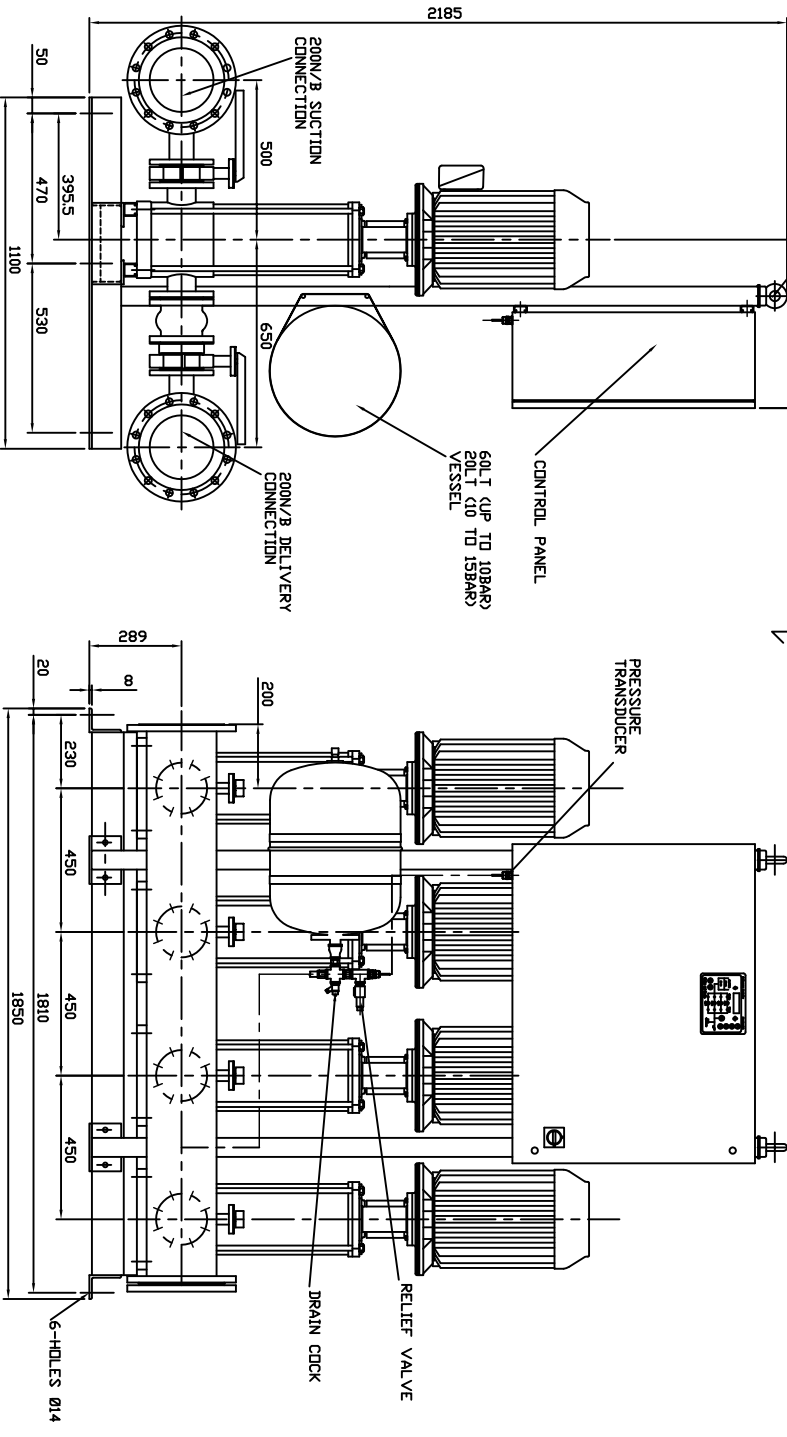
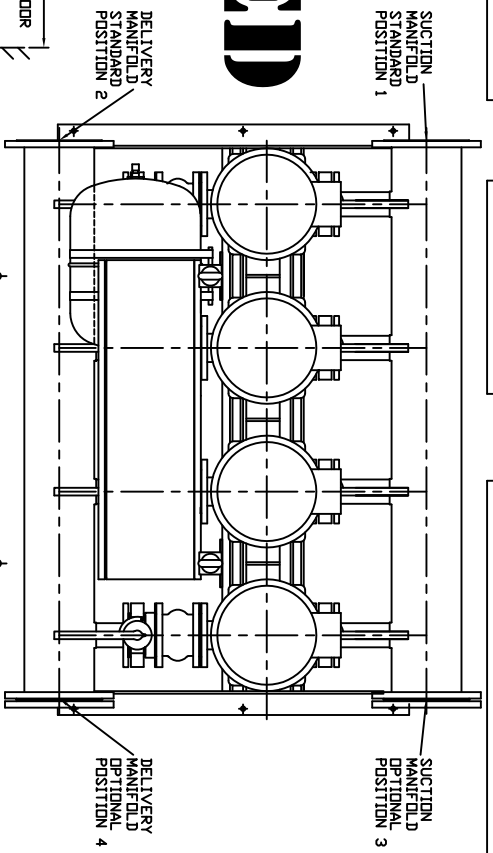


PUMP SIZE	MOTOR KW	FLC AMPS 3-415V	PUMP WEIGHT KGS	SET WEIGHT KGS
4601/2F30T	3.00	6.01	7.5	9.40
4601F40T	4.00	8.02	8.0	9.60
4602/2F55T	5.50	10.0	10.2	10.48
4602F75T	7.50	13.4	10.8	10.72
4603/2F110T	11.0	20.0	14.2	12.08
4603F110T	11.0	20.0	14.2	12.08
4604/2F150T	15.0	27.0	17.6	13.44
4604F150T	15.0	27.0	17.6	13.44
4605/2F185T	18.5	33.1	19.8	14.92
4605F185T	18.5	33.1	19.8	14.92

UNCONTROLLED

ALL FLANGES TO BS4504
 MAX WORKING PRESSURE
 TEST PRESSURE

16BAR
 15BAR
 22.5BAR



FLEXIBLE CONNECTORS OPTIONAL, ONLY SUPPLIED WHEN ORDERED (2-PER SET)

NOTE :-

- 1) MAIN POWER SUPPLY TO PANEL MUST BE SIZED TO COVER ALL PUMP RUNNING AT SAME TIME
- 2) LARGE STORAGE VESSELS IF ORDERED WILL BE SUPPLIED LOOSE FOR POSITIONING BY CLIENT TO SUIT THE AVAILABLE FLOOR SPACE. CLIENT IS TO PROVIDE A CONNECTION FROM THE VESSEL TO THE DELIVERY PIPEWORK. ADJACENT BE FITTED ISOLATING AND DRAIN VALVES SHOULD BE FITTED IN THIS CONNECTION

LAST MODIFICATION DETAILS
 DRAWING BORDER CHANGED

ALL DIMENSIONS IN mm
 DRAWN TO BS308
 WELDING SYMBOLS TO BS499
 SURFACE FINISH SHOWN IN MICROMETERS
 MACHINE WHERE SHOWN TO TOLERANCE ± 0.3MM UNLESS OTHERWISE STATED

ISSUE 1	DATE 15/02/2006	DRN PJB	APP PJB
---------	-----------------	---------	---------

JOB No.	PART No.	WEIGHT KG	FILE NAME
-	-	-	PX10544-1
DESIGN No.	PATTERN No.	MATERIAL	MAT'L SPEC.
-	-	-	-

TITLE
 GENERAL ARRANGEMENT
 HYDRPAK HML 4 SET
 46-PUMP MODELS

DRG No. PX10544-1
 DATE 22/09/2004
 DRN BSD
 CHK EGU
 APP EGU
 SCALE NTS
 SHEET 1 OF 1

ARMSTRONG HOLDEN BROOKE PULLEN
 VENLOCK WAY, MANCHESTER, M12 5JL
 TEL: +44 (0) 161 223 2223

THIS DRAWING IS THE PRIVATE AND CONFIDENTIAL PROPERTY OF ARMSTRONG HOLDEN BROOKE PULLEN LTD. ALL COPYRIGHT, MANUFACTURING AND SALES RIGHTS RESERVED.