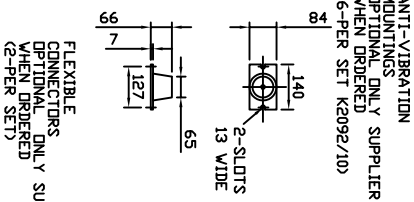
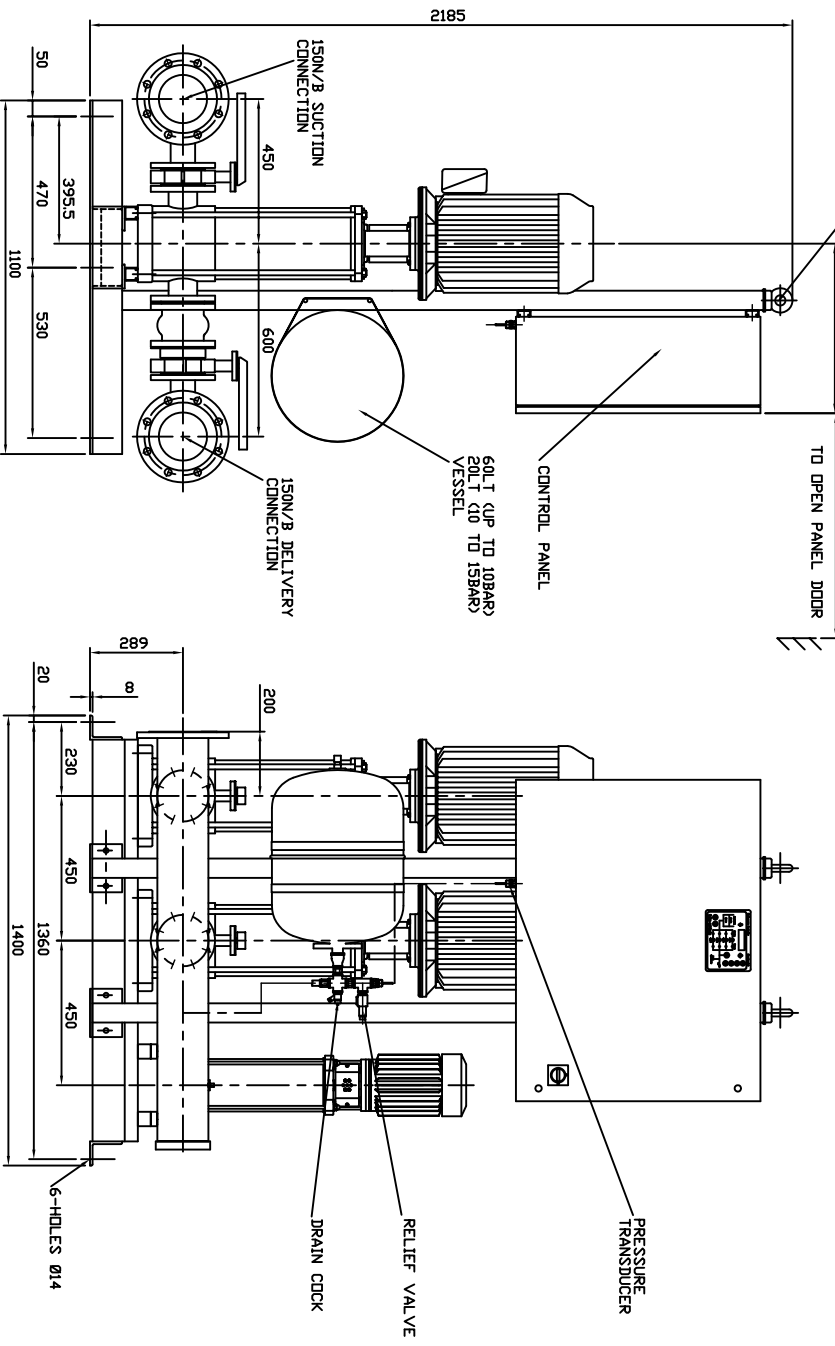
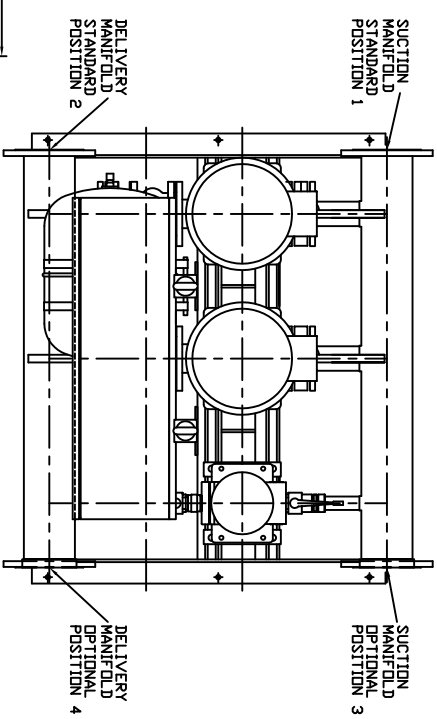


PUMP SIZE	MOTOR KW	FLC AMPS 3x415V	PUMP WEIGHT KGS	PUMP SIZE	MOTOR KW	FLC AMPS 3x415V	PUMP WEIGHT KGS	SET WEIGHT KGS
4601/2F30T	3.00	6.01	75	802/11T	1.10	2.61	25.5	58.4
4601F40T	4.00	8.02	80	802/11T	1.10	2.61	25.5	59.4
4602/2F55T	5.50	10.0	102	803/11T	1.50	3.45	32.0	64.5
4602F75T	7.50	13.4	108	804/12T	2.20	5.03	34.0	69.9
4603/2F10T	11.0	20.0	142	805/12T	2.20	5.03	35.0	73.8
4603F10T	11.0	20.0	142	806/130T	3.00	6.01	42.0	73.5
4604/2F150T	15.0	27.0	176	808/140T	4.00	8.02	58.5	82.0
4604F150T	15.0	27.0	176	809/140T	4.00	8.02	58.5	82.0
4605/2F195T	19.5	33.1	198	809/140T	4.00	8.02	59.5	86.4

ALL FLANGES TO BS4504  
MAX WORKING PRESSURE  
TEST PRESSURE

16BAR  
15BAR  
22.5BAR

# UNCONTROLLED



ANTI-VIBRATION MOUNTINGS OPTIONAL ONLY SUPPLIER WHEN ORDERED (6-PER SET K2092/10)

FLEXIBLE CONNECTORS OPTIONAL ONLY SUPPLIED (6-PER SET)

NOTE :-

- 1) MAIN POWER SUPPLY TO PANEL MUST BE SIZED TO COVER PUMP RUNNING AT SAME TIME
- 2) LARGE STORAGE VESSEL SIF ORDERED WILL BE SUPPLIED LOOSE FOR POSITIONING BY CLIENT TO SUIT THE AVAILABLE FLOOR SPACE. CLIENT IS TO PROVIDE A CONNECTION FROM THE VESSEL TO THE DELIVERY PIPEWORK ADJACENT TO THE SET ISOLATING AND DRAIN VALVES SHOULD BE FITTED IN THIS CONNECTION

LAST MODIFICATION DETAILS

DRAWING BORDER CHANGED

ISSUE 1 DATE 15/02/2006 DRN PJB APP PJB

JOB No. - PART No. - WEIGHT KG - FILE NAME -

DESIGN No. - PATTERN No. - MATERIAL - MATL SPEC. -

TITLE: GENERAL ARRANGEMENT HYDROPAC HML2+JOCKEY SET 46-PUMP+8-JOCKEY PUMP MODELS

DRG No. PX10545-1

DATE 28/09/2004 DRN BSD

CHK EGU APP EGU

SCALE NTS SHEET 1 OF 1

ARMSTRONG HOLDEN BROOKE PULLEN

VENLOCK WAY, MANCHESTER, M12 5JL

TEL: +44 (0) 161 223 2223