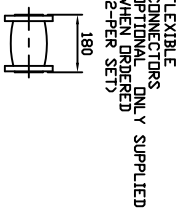
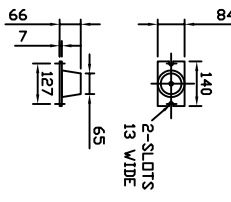


PUMP SIZE	MOTOR KW	F.L.C AMPS 3x415V	PUMP WEIGHT KGS	PUMP SIZE	MOTOR KW	F.L.C AMPS 3x415V	PUMP WEIGHT KGS	SET WEIGHT KGS
4601/FF30T	3.00	6.01	75	802T11T	1.10	2.61	25.5	86.0
4601/FF40T	4.00	8.02	80	803T11T	1.10	2.61	25.5	87.5
4602/FF55T	5.50	10.0	102	803T15T	1.50	3.45	32.0	94.8
4602/FF75T	7.50	13.4	108	804T22T	2.20	5.03	34.0	96.8
4603/FF10T	1.10	2.00	142	805T22T	2.20	5.03	35.0	107.1
4603/FF10T	1.10	2.00	142	806T30T	3.00	6.01	42.0	107.8
4604/FF150T	15.0	27.0	176	808T40T	4.00	8.02	58.5	119.7
4604/FF150T	15.0	27.0	176	809T40T	4.00	8.02	58.5	119.7
4605/FF185T	18.5	33.1	198	809T40T	4.00	8.02	59.5	126.4

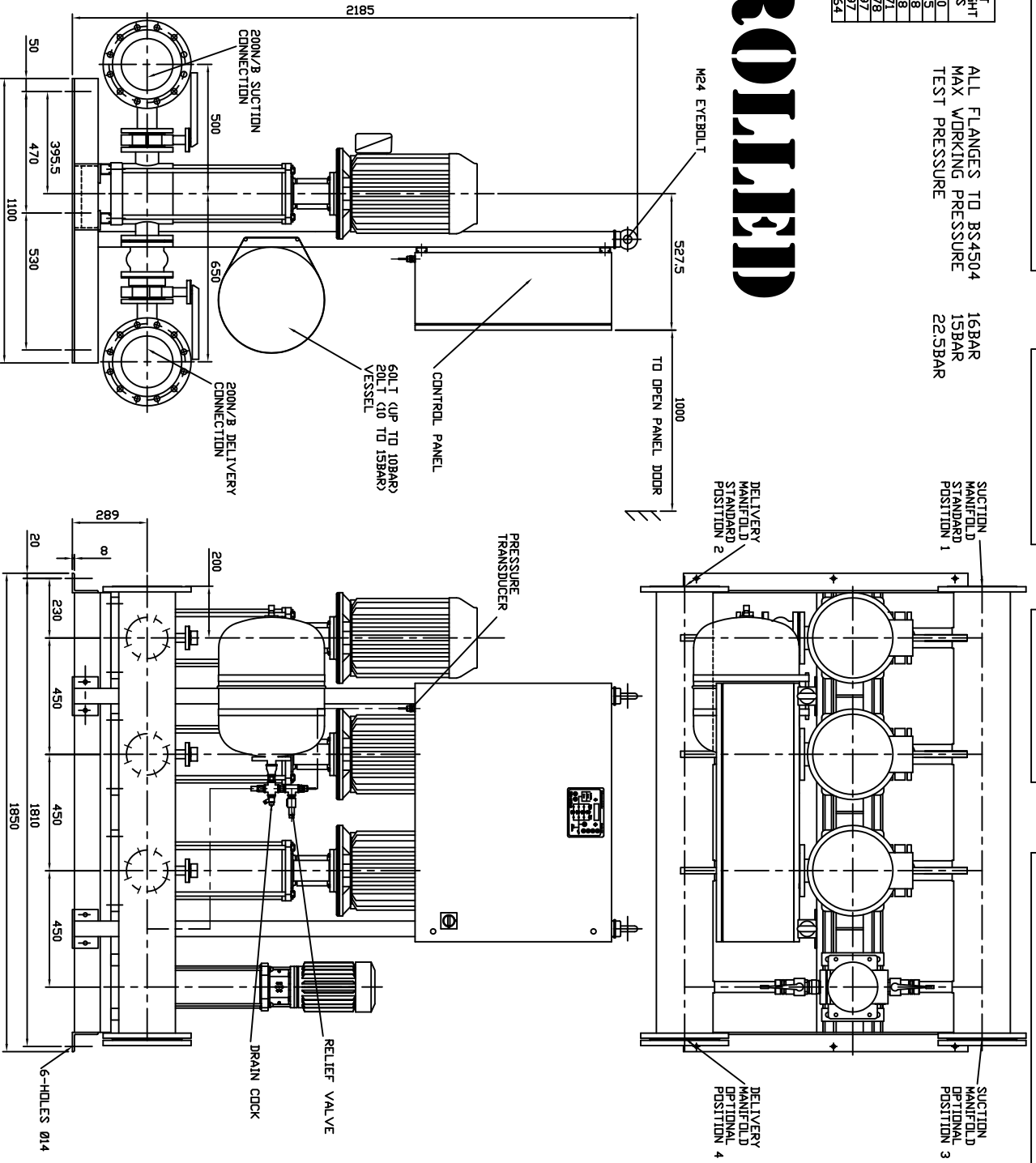
ALL FLANGES TO BS4504
MAX WORKING PRESSURE
TEST PRESSURE
16BAR
15BAR
22.5BAR

UNCONTROLLED

ANTI-VIBRATION MOUNTINGS OPTIONAL ONLY SUPPLIER WHEN ORDERED (6-PER SET K2092/10)



- NOTE :-
- 1) MAIN POWER SUPPLY TO PANEL MUST BE SIZED TO COVER ALL PUMP RUNNING AT SAME TIME
 - 2) LARGE STORAGE VESSELS IF ORDERED WILL BE SUPPLIED LOOSE FOR POSITIONING BY CLIENT TO SUIT THE AVAILABLE FLOOR SPACE. CLIENT IS TO PROVIDE A CONNECTION FROM THE VESSEL TO THE DELIVERY PIPework ADJACENT TO THE SET ISOLATING AND DRAIN VALVES SHOULD BE FITTED IN THIS CONNECTION



LAST MODIFICATION DETAILS
DRAWING BORDER CHANGED

ISSUE 1	DATE: 02/2006	DRN PJB	APP PJB
---------	---------------	---------	---------

ALL DIMENSIONS IN mm
DRAWN TO BS308
WELDING SYMBOLS TO BS499
SURFACE FINISH SHOWN IN MICROMETERS
MACHINE WHERE SHOWN TO TOLERANCE ± 0.3MM
UNLESS OTHERWISE STATED

JOB No.	PART No.	WEIGHT KG	FILE NAME
-	-	-	PX10546-1
DESIGN No.	PATTERN No.	MATERIAL	MAT'L SPEC.
-	-	-	-

TITLE
GENERAL ARRANGEMENT
HYDROPAC HML3+JOCKEY
SET 46-PUMP+8-JOCKEY
PUMP MODELS

DRG No.	PX10546-1
DATE: 28/09/2004	DRN BSD
CHK EGU	APP EGU
SCALE NTS	SHEET 1 OF 1

ARMSTRONG HOLDEN BROOKE PULLEN
VENLOCK WAY, MANCHESTER, M12 5JL
TEL: +44 (0) 161 223 2223