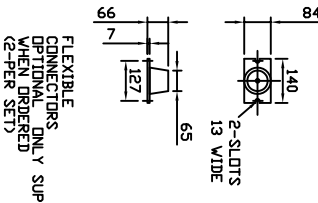


PUMP SIZE	MOTOR KW	FLC AMPS (3x415V)	PUMP WEIGHT KGS	SET WEIGHT KGS
9201/7F55T	5.50	10.0	107	658
9201/7S1	7.50	13.4	113	670
9202/2F10T	11.0	20.0	148	800
9202/1S0T	15.0	27.0	178	848
9203/2F18S1	18.5	33.1	202	860
9203/2S0T	22.0	38.9	208	860
9204/2F300T	30.0	54.0	232	908
9204/2S0T	30.0	54.0	232	908

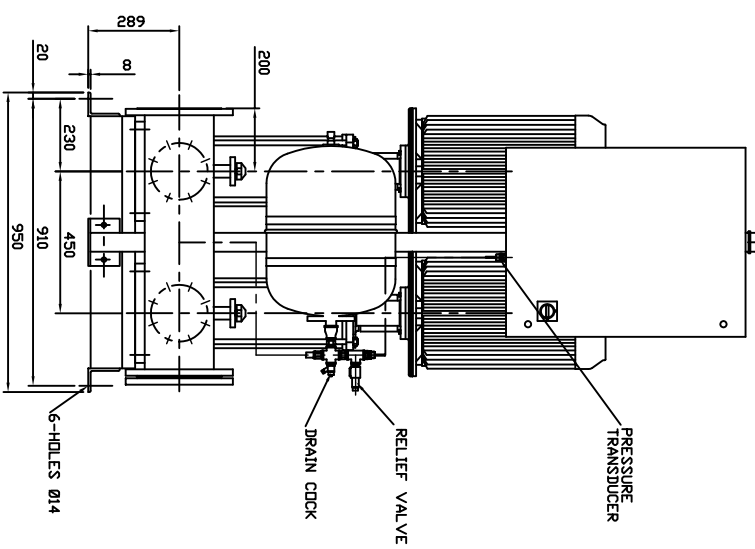
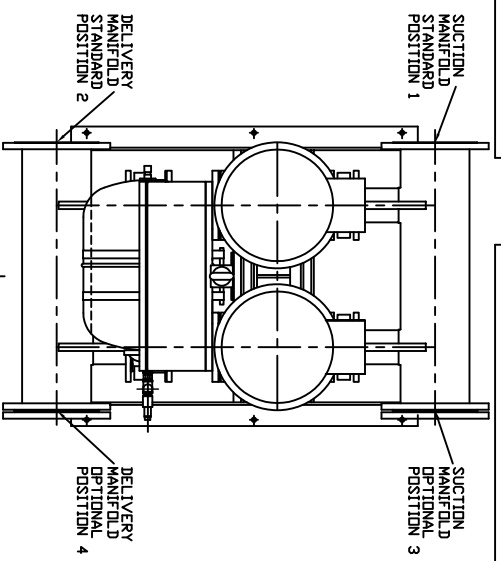
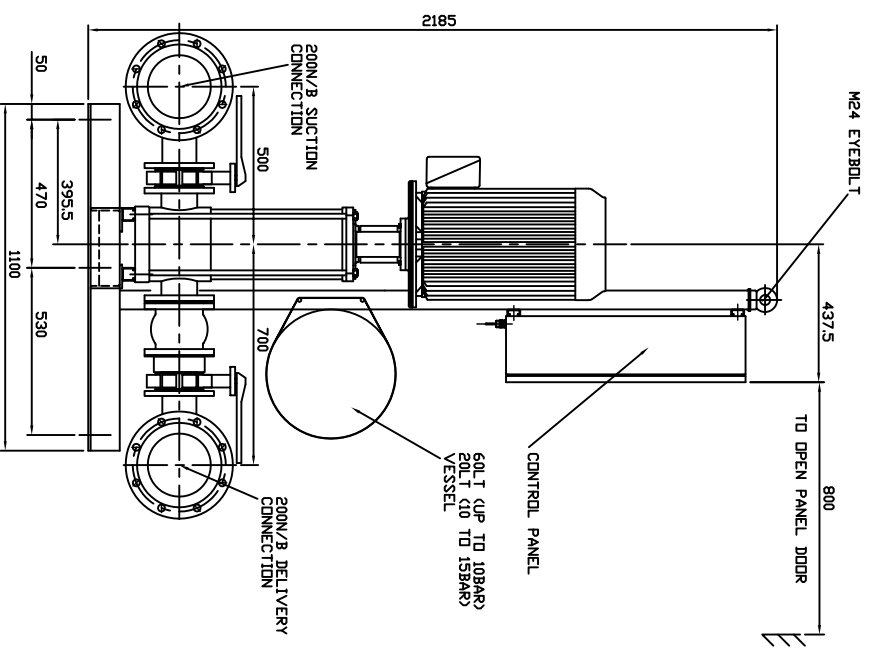
ALL FLANGES TO BS4504
 MAX WORKING PRESSURE 16BAR
 TEST PRESSURE 22.5BAR

UNCONTROLLED

ANTI-VIBRATION MOUNTINGS OPTIONAL ONLY SUPPLIER WHEN ORDERED (6-PER SET K2092/10)



- NOTE :-**
- 1) MAIN POWER SUPPLY TO PANEL MUST BE SIZED TO COVER ALL PUMP RUNNING AT SAME TIME
 - 2) LARGE STORAGE VESSEL S.I.F. ORDERED WILL BE SUPPLIED LOOSE FOR POSITIONING BY CLIENT TO SUIT THE AVAILABLE FLOOR SPACE. CLIENT IS TO PROVIDE A CONNECTION FROM THE VESSEL TO THE DELIVERY PIPEWORK ADJACENT TO THE SET ISOLATING AND DRAIN VALVES SHOULD BE FITTED IN THIS CONNECTION



LAST MODIFICATION DETAILS

DRAWING BORDER CHANGED

ISSUE	DATE	BY	APP
1	2006/02/01	DRN PJB	APP PJB

ALL DIMENSIONS IN mm
 DRAWN TO BS308
 WELDING SYMBOLS TO BS499
 SURFACE FINISH SHOWN IN MICROMETERS
 MACHINE WHERE SHOWN TO TOLERANCE ± 0.3MM UNLESS OTHERWISE STATED

JOB No.	PART No.	WEIGHT KG	FILE NAME
-	-	-	PX10584-1

DESIGN No.	PATTERN No.	MATERIAL	MATL SPEC.
-	-	-	-

THIS DRAWING IS THE PRIVATE AND CONFIDENTIAL PROPERTY OF ARMSTRONG HOLDEN BROOKE PULLEN LTD. ALL COPYRIGHT, MANUFACTURING AND SALES RIGHTS RESERVED.

TITLE
 GENERAL ARRANGEMENT
 HYDRPAK HML2 SET
 92-PUMP MODELS

DRG No. PX10584-1

DATE	BY	APP
22/10/2004	DRN BSD	APP EGU

SCALE NTS SHEET 1 OF 1

ARMSTRONG HOLDEN BROOKE PULLEN

VENLOCK WAY, MANCHESTER, M12 5JL
 TEL: +44 (0) 161 223 2223