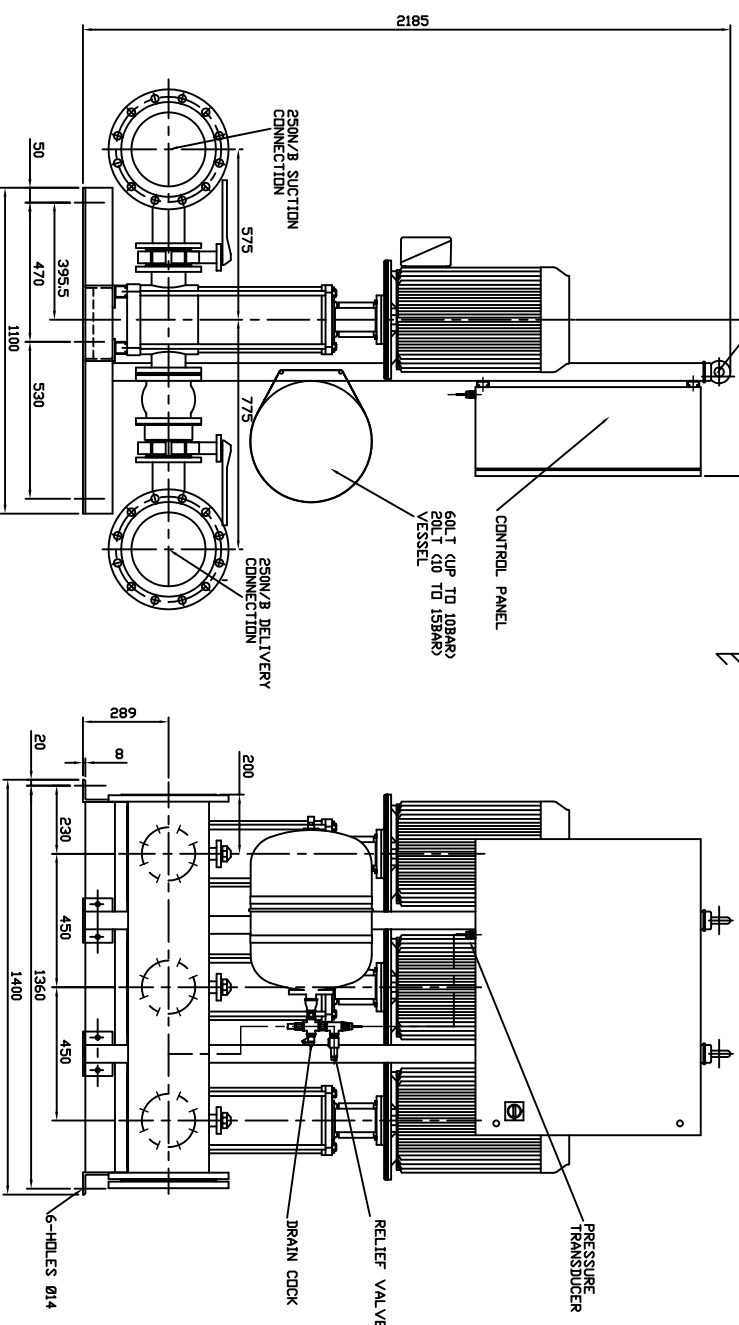
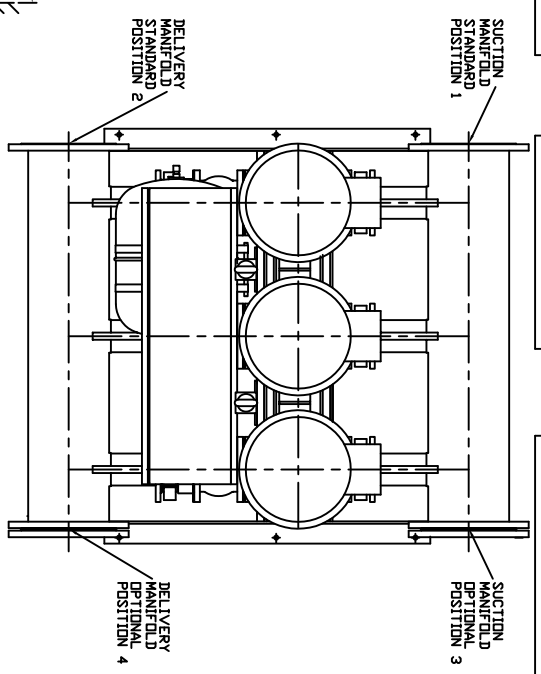


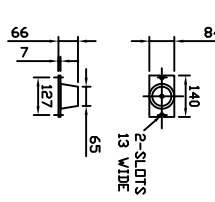
PUMP SIZE	MOTOR KW	FLC AMPS 3x415V	PUMP WEIGHT KGS	SET WEIGHT KGS
9500/1/53ST	5.50	10.0	107	784
9500/2/110T	11.30	23.4	119	907
9500/2/150T	15.0	27.0	178	997
9500/2/185T	18.5	33.1	202	1069
9500/2/220T	22.0	39.9	208	1087
9500/2/300T	30.0	54.0	232	1159
9500/4/300T	30.0	54.0	232	1159

ALL FLANGES TO BS4504
 MAX WORKING PRESSURE 16BAR
 TEST PRESSURE 22.5BAR

UNCONTROLLED



ANTI-VIBRATION MOUNTINGS OPTIONAL. ONLY SUPPLIER WHEN ORDERED (6-PER SET K2092/10)



FLEXIBLE CONNECTIONS OPTIONAL. ONLY SUPPLIED WHEN ORDERED (2-PER SET)



NOTE :-

- 1) MAIN POWER SUPPLY TO PANEL MUST BE SIZED TO COVER ALL PUMP RUNNING AT SAME TIME.
- 2) LARGE STORAGE VESSELS, IF ORDERED WILL BE SUPPLIED UNLESS FIBRE POSITIONING BY CLIENT TO SUIT THE AVAILABLE FLOOR SPACE. CLIENT IS TO PROVIDE A CONNECTION FROM THE VESSEL TO THE DELIVERY PIPEWORK ADJACENT TO THE SET ISOLATING AND DRAIN VALVES SHOULD BE FITTED IN THIS CONNECTION.

LAST MODIFICATION DETAILS		JOB No. -		PART No. -		WEIGHT KG -		FILE NAME -	
DRAWING BORDER CHANGED		DESIGN No. -		PATTERN No. -		MATERIAL -		MAT'L SPEC. -	
ISSUE 1		DATE 15/02/2006		DRN PJB		APP PJB		TITLE	
CHK PJB		APP PJB		UNLESS OTHERWISE STATED		THIS DRAWING IS THE PRIVATE AND CONFIDENTIAL PROPERTY OF ARMSTRONG HOLDEN BROOKE PULLEN LTD. ALL COPYRIGHT, MANUFACTURING AND SALES RIGHTS RESERVED.		GENERAL ARRANGEMENT HYDRPAK HML3 SET 92-PUMP MODELS	
DRAWING BORDER CHANGED		DATE 22/10/2004		DRN BSD		APP EGU		DRG No. PX10585-1	
CHK EGU		APP EGU		SHEET 1 OF 1		VENLOCK WAY, MANCHESTER, M12 5JL TEL: +44 (0) 161 223 2223			