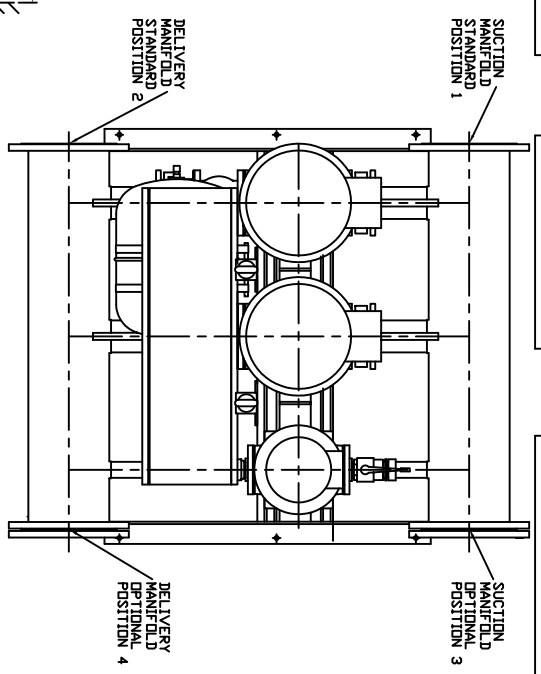


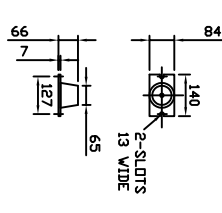
PUMP SIZE	MOTOR KVA	FLC AMPS 3x415V	PUMP WEIGHT KGS	JOCKEY PUMP WEIGHT KGS	MOTOR KV	FLC AMPS 3x415V	PUMP WEIGHT KGS	SET WEIGHT KGS
9201/FS1	5.50	10.0	107	1609/221	2.20	5.03	32	679
9201/751	7.50	13.4	119	1609/221	2.20	5.03	32	691
9202/2F1101	11.0	20.0	148	1603/301	3.00	6.01	38	767
9202/1501	15.0	27.0	178	1604/401	4.00	8.02	58	844
9203/2F1851	18.5	33.1	202	1605/551	5.50	10.0	68	905
9203/2201	22.0	38.9	208	1606/551	5.50	10.0	69	918
9204/2F3001	30.0	54.0	232	1607/751	7.50	13.4	74	971
9204/3001	30.0	54.0	232	1608/751	7.50	13.4	75	972

ALL FLANGES TO BS4504  
MAX WORKING PRESSURE  
TEST PRESSURE  
16BAR  
15BAR  
22.5BAR

# UNCONTROLLED



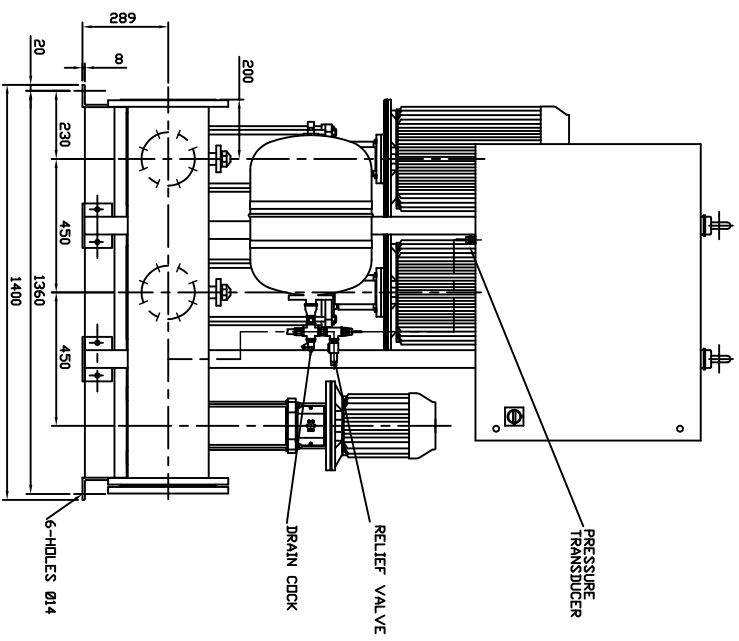
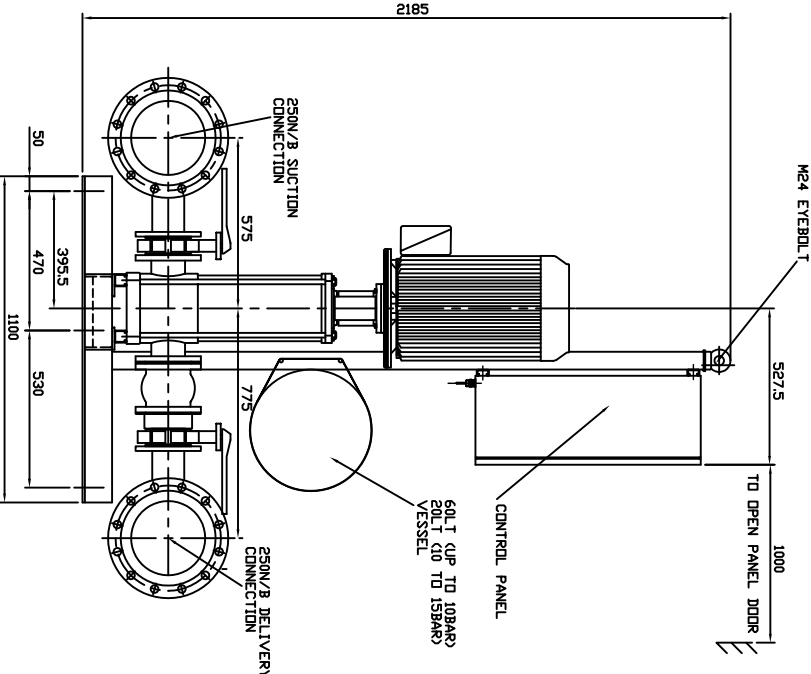
ANTI-VIBRATION MOUNTINGS OPTIONAL, ONLY SUPPLIER WHEN ORDERED (6-PER SET K2092/10)



FLEXIBLE CONNECTIONS OPTIONAL, ONLY SUPPLIED WHEN ORDERED (2-PER SET)

NOTE :-

- 1) MAIN POWER SUPPLY TO PANEL MUST BE SIZED TO COVER ALL PUMP RUNNING AT SAME TIME
- 2) LARGE STORAGE VESSELS, IF ORDERED WILL BE SUPPLIED IN TWO POSITIONS BY CLIENT TO SUIT THE AVAILABLE FLOOR SPACE. CLIENT IS TO PROVIDE A CONNECTION FROM THE VESSEL TO THE DELIVERY PIPEWORK ADJACENT TO THE SET ISOLATING AND DRAIN VALVES SHOULD BE FITTED IN THIS CONNECTION



LAST MODIFICATION DETAILS  
DRAWING BORDER CHANGED

ALL DIMENSIONS IN mm  
DRAWN TO BS308  
WELDING SYMBOLS TO BS499  
SURFACE FINISH SHOWN IN MICROMETERS  
MACHINE WHERE SHOWN TO TOLERANCE ± 0.3MM UNLESS OTHERWISE STATED

ISSUE 1	DATE 15/02/2006	DRN PJB	APP PJB
---------	-----------------	---------	---------

JOB No.	PART No.	WEIGHT KG	FILE NAME
-	-	-	PX10587-1
DESIGN No.	PATTERN No.	MATERIAL	MATL SPEC.
-	-	-	-

TITLE  
GENERAL ARRANGEMENT  
HYDROPAK HML2+JOCKEY  
SET 92-PUMP+16JOCKEY  
PUMP MODELS

DRG No. PX10587-1

DATE 22/10/2004  
CHK EGU  
SCALE NTS

VENLOCK WAY, MANCHESTER, M12 5JL  
TEL: +44 (0) 161 223 2223

ARMSTRONG HOLDEN BROOKE PULLEN