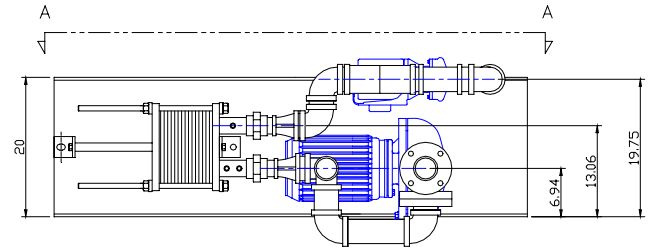


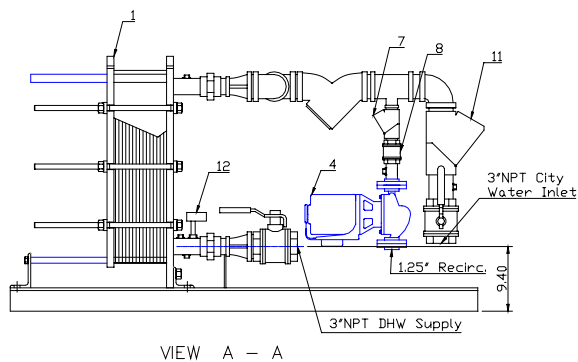
Instantaneous Water Heater (IWH) Model 100 - Super System

SUBMITTAL

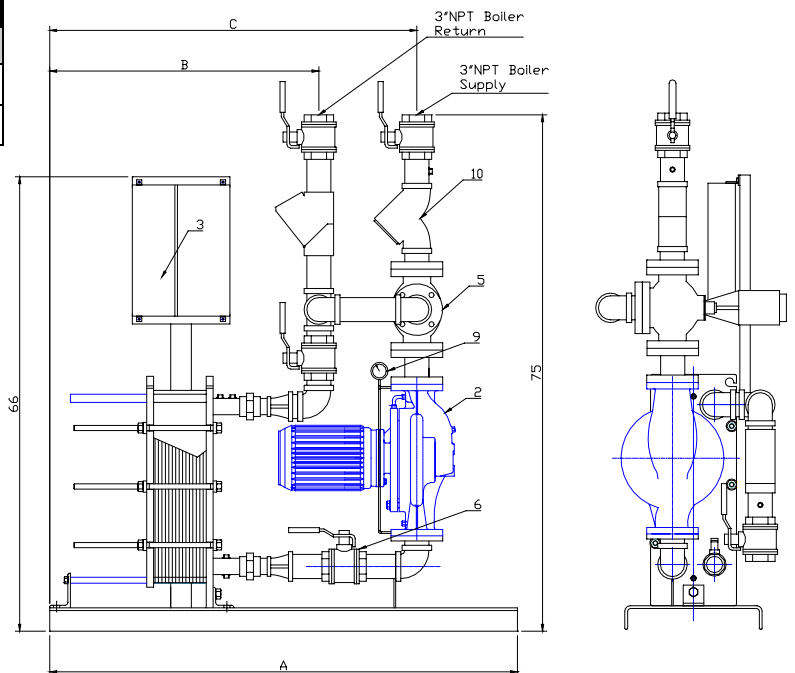
LEGEND			
ITEM	DESCRIPTION	MATERIAL	QTY.
	Hot Water Boiler Piping 3"	Steel	
	Domestic Hot Water Piping 3"	Brass	
1	PFX Heat Exchanger SX 13-58	SST Plates	1
2	Pump 4380 3x3x8 / 5 hp	Bronze-Fitted	1
3	Pump & Temperature Controller		1
4	Circulator H41 1/6 hp	All Bronze	1
5	3-Way Valve 3" w/Actuator	Brass	1
6	Ball Valve 3"	Brass	6
7	Swing Check Valve 1-1/4"	Brass	1
8	Ball Valve 1-1/4"	Brass	1
9	Pressure Gauge		1
10	Y-Strainer 3"	Cast Iron	2
11	Swing Check Valve 3"	Brass	2
12	Hi Limit Temperature Switch (AquaStat)		1



DIMENSIONS inches (mm)			
PFX Exchanger Type	A	B	C
Single Wall	68.00 (1727)	39.25 (997)	53.50 (1359)
Double Wall	80.00 (2032)	49.75 (1264)	64.00 (1626)



Items 2, 3, 5, 9 and 10 not shown.



Armstrong Pumps Inc.
93 East Avenue
North Tonawanda, New York
U.S.A. 14120-6594
Tel: (716) 693-8813
Fax: (716) 693-8970
www.armstrongpumps.com

S.A. Armstrong Limited
23 Bertrand Avenue
Toronto, Ontario
Canada, M1L 2P3
Tel: (416) 755-2291
Fax: (416) 759-9101



© S.A. Armstrong Limited 2004

Armstrong Pumps Limited
Peartree Road, Stanway
Colchester, Essex
United Kingdom, CO3 0LP
Tel: +44 (0) 1206 579491
Fax: +44 (0) 1206 760532

Armstrong Darling
9001 De L'Innovation, Suite 200
Montreal (Anjou), Quebec
Canada, H1J 2X9
Tel: (514) 352-2424
Fax: (514) 352-2425

