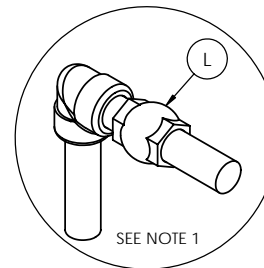
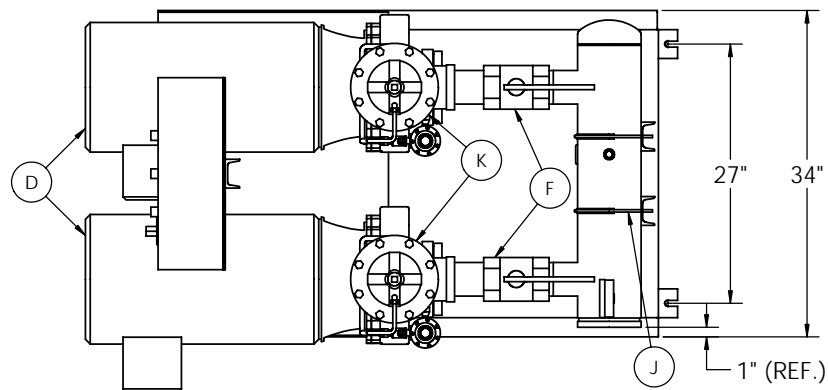


D



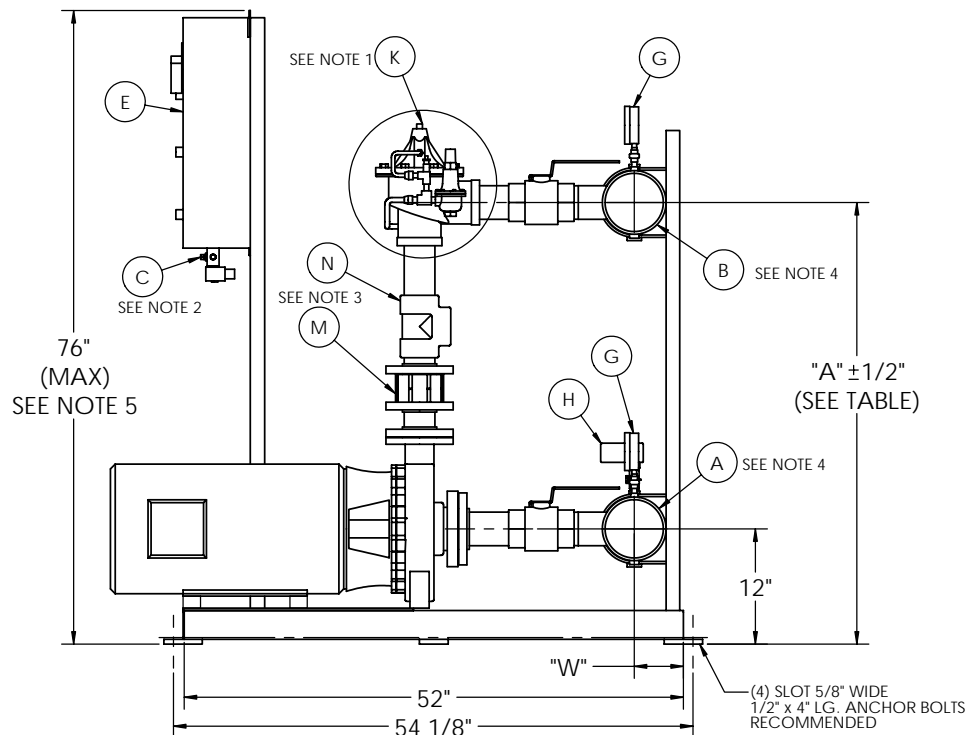
INCLUDED

 PRV    CHECK VALVE

TABLE 1

DIM	STD	TM3-TM4 PRV 1.5-2	TM3-TM4 PRV 2.5-3
"A"	30.5"	38.5"	44.5"

C



HEADER SIZE	"W"
<input type="checkbox"/> 3" IPS PIPE 304 S.S.	3-1/2"
<input type="checkbox"/> 4" IPS PIPE 304 S.S.	4"
<input type="checkbox"/> 6" IPS PIPE 304 S.S.	5"
<input type="checkbox"/> 3" TUBE (COPPER ASTM B-88) TYPE L/K	3-1/2"
<input type="checkbox"/> 4" TUBE (COPPER ASTM B-88) TYPE L/K	4"
<input type="checkbox"/> 6" TUBE (COPPER ASTM B-88) TYPE L/K	5"

## NOTES

- Item 'K' (PRV) is standard. If item 'L' (check valve) is required please indicate selection
- 'C' (1/4" NPT) Provided on continuous run systems only. To be connected to drain by others.
- 'M' & 'N' are provided on systems with adjacent mounted drawdown tanks.
- Booster is supplied with standard roll groove for A & B headers suitable for victaulic type or equivalent flanges (supplied by others).  
If Armstrong is to supply flanges, please indicate flange pressure rating required.
- Consult Drawing 2400-000 for Variable Speed Drive (VFD) controller dimensions.
- Type L copper is suitable for 175 PSI, Type K copper is suitable for 300 PSI.

 Maximum System Pressure:    175 PSI    300 PSI

## COMMENTS

- Drawing 2407-000 is applicable for pumps with suction size up to 4", 30 HP @ 3600 RPM, and nominal impeller diameters up to 10". For other sizes consult factory for new drawing.
- For other Inlet/Outlet orientations consult factory for new drawing.
- Dimensions are based on factory choice standard components. For other than standard consult factory for new drawing.
- Tolerances are (+/-) 1/4" unless otherwise specified.
- All dimensions are in inches.

A	SUCTION CONNECTION	H	AQUASTAT (TEMPERATURE PROBE)
B	DISCHARGE CONNECTION	J	RUBBER ISOLATING CUSHION
C	SOLENOID VALVE (1/4" NPT)	K	PRESSURE REDUCING VALVE (PRV)
D	PUMP & MOTOR	L	CHECK VALVE ONLY (OPTIONAL)
E	CONTROL PANEL	M	CHECK VALVE (SEE NOTE 3)
F	BRONZE BALL VALVE	N	TEE (SEE NOTE 3)
G	PRESSURE GAUGE		

DRAWN BY	SP	DATE	11/29/03	ARMSTRONG PUMPS INC. NORTH TONAWANDA, NY 14120  DRAWING TITLE 6625 - DUPLEX DOMESTIC WATER BOOSTER
CHECK	GB	06/07/04		
ENGINEERING				
QUALITY ASSURANCE				
MANUFACTURING				SIZE C
		DRAWING NUMBER		REV.
		2407-000		A
SCALE: NTS		WEIGHT:		SHEET: 1 OF 1

DO NOT SCALE