



Armex

Expansion System

Models 2000 to 5000

(Separate Transfer Unit & Safe Tank)

FILE NO.:	37.57
DATE:	January 20, 2000
SUPERSEDES:	NEW
DATE:	NEW

SUBMITTAL

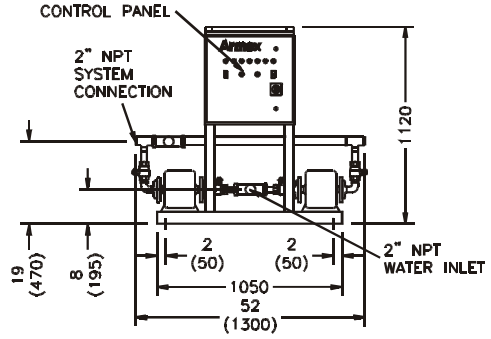
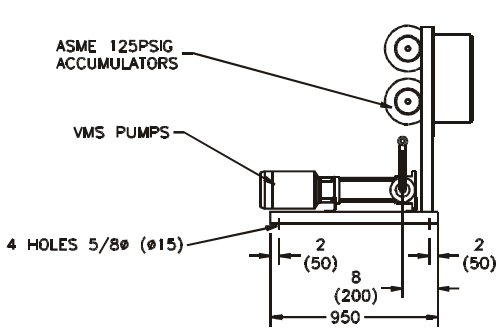
JOB: _____	REPRESENTATIVE: _____
_____	ORDER NO: _____ DATE: _____
ENGINEER: _____	SUBMITTED BY: _____ DATE: _____
CONTRACTOR: _____	APPROVED BY: _____ DATE: _____

MATERIALS OF CONSTRUCTION		MAXIMUM OPERATING CONDITIONS	
Tank Shell	Steel	Operating Temperature	240 °F (115 °C)
Bladder	EPDM	Operating Pressure	125 PSIG
Pump Construction	304 ss Vertical multistage		
Interconnecting Piping	Galvanized		

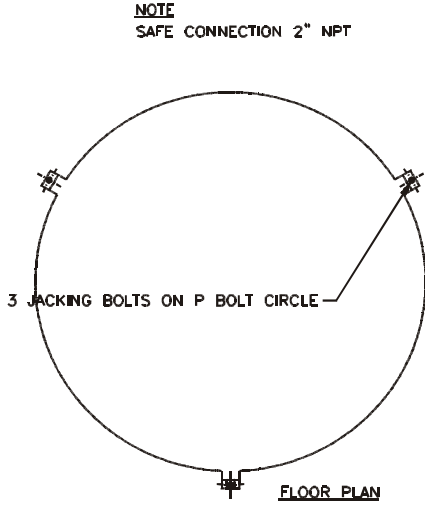
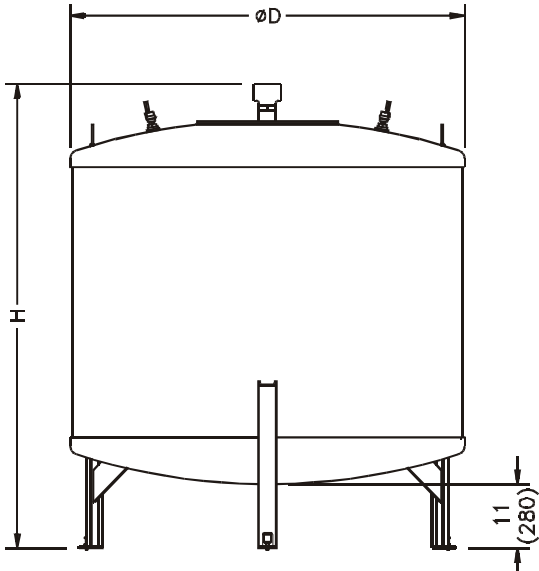
SYSTEM CONDITIONS (Must be Supplied)			
System Fluid			
Total System contents		Gallons	liters
System Supply Temperature		°F	°C
System Return Temperature		°F	°C
Static Height above SAFE tank installation		Feet	Meters
Boiler or Chiller Power		BTUH or Tons	kW
Number of Boilers or Chillers			
Maximum System Operating Pressure		PSIG	kPa
Electric Power Supply		Volts/Ph/Hz	
Break tank Required		Yes / No	

CONTROL PANEL	
Enclosure	NEMA 1 CSA 1 ASA 61
Control Circuit Transformer	24 V with secondary circuit fuse
Main Disconnect Switch	HP rated
Motor protectors or circuit breakers	With overload and short circuit protection
"Power On" Pilot light	White
"Run" Pilot light	Qty 2 / Green
"Hand-Off-Auto" selector switch	Qty 2
"Overload" Pilot lights	Qty 2 / Red
"Make-Up Tank High Level" Pilot light	Qty 1 / Red
"Make-Up Tank Low Level" Pilot light	Qty 1 / Red
"High System Pressure" Pilot light	Qty 1 / Red
"Low System Pressure" Pilot light	Qty 1 / Red
Automatic Transfer to lag pump if lead pump not operating	Qty 1
Automatic Alternation	Qty 1
Alarm contacts	Qty 4 sets
Optional Accessories	

208-460-575V/3ph/60Hz			
PUMP	HP	PUMP	HP
VMS1502	0.75	VMS3002	1.0
VMS1503	1.0	VMS3003	1.5
VMS1504	1.5	VMS3004	2.0
VMS1505	2.0	VMS3005	3.0
VMS1506	2.0	VMS3006	3.0
VMS1507	3.0	VMS3007	5.0
VMS1508	3.0	VMS3008	5.0



SAFE MODEL	CAPACITY GAL/Litres	ØD Inches/mm	H inches/mm	P inches/mm
2000	530 (2000)	55 (1380)	83 (2100)	59 (1490)
3000	795 (3000)	67 (1680)	83 (2100)	71 (1790)
4000	1060 (4000)	79 (1990)	79 (2000)	83 (2100)
5000	1320 (5000)	92 (2290)	79 (2000)	95 (2400)



Comments.

- Allow 12 inches on both sides for servicing of pumps
- Tolerances are +/- 1/4 inch

S.A. Armstrong Limited
23 Bertrand Avenue
Toronto, Ontario
Canada, M1L 2P3
Tel: (416) 755-2291
Fax: (416) 759-9101

Armstrong Pumps Limited
Peartree Road, Stanway
Colchester, Essex
United Kingdom, C03 5JX
Tel: 01206-579491
Fax: 01206-760532



Armstrong Pumps Inc.
93 East Avenue
Buffalo, New York
U.S.A. 14120-6594
Tel: (716) 693-8813
Fax: (716) 693-8970

Armstrong Darling Inc.
2200 Place Transcanadienne
Montreal, Quebec
Canada, H9P 2X5
Tel: (514) 421-2424
Fax: (514) 421-2436

Visit us at www.armstrongpumps.com

© S.A. Armstrong Limited 2000

