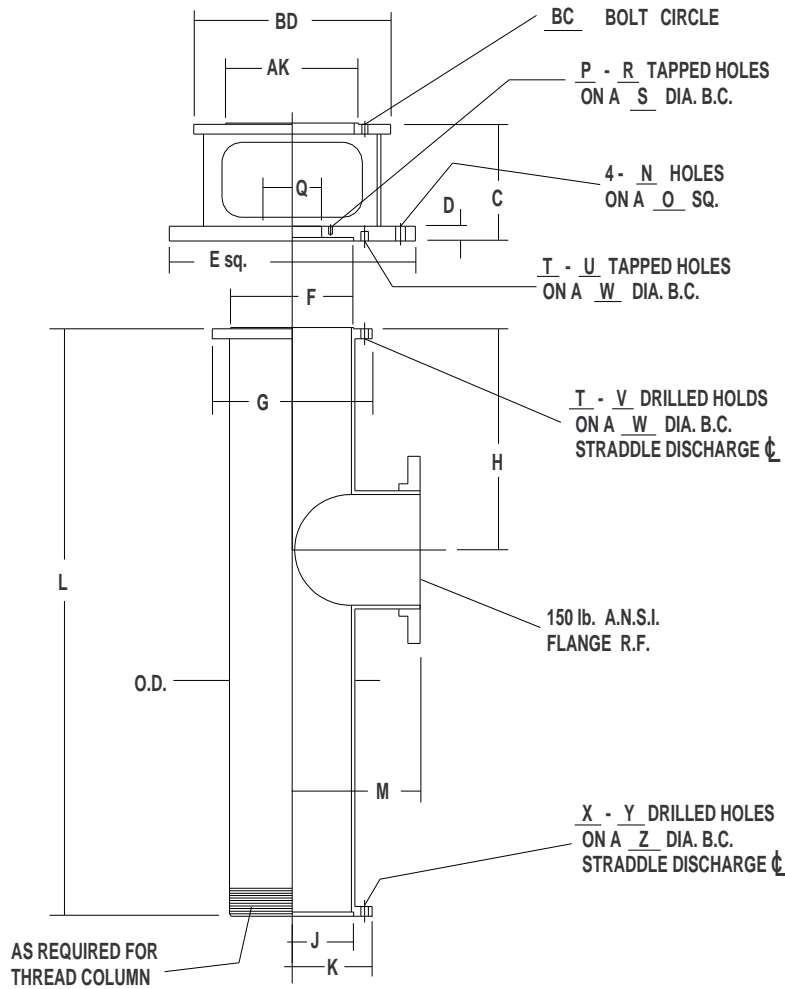


BELOW SURFACE DISCHARGE



| MOTOR PEDISTAL DIMENSIONS | | | | | | | | | | | | | | |
|---------------------------|---------|---------|-----|--------|-----|--------|-----|-------------|----|------|---------|----|------|--------|
| B.D. | B.C. | A.K. | C | D | E | N | O | Q | P | R | S | T | U | W |
| 10" | 9 1/8" | 8 1/4" | 12" | 1 1/4" | 18" | 7/8" | 15" | AS REQUIRED | | | | 12 | 5/8" | 8 1/4" |
| 12" | 9 1/8" | 8 1/4" | 12" | 1 1/4" | 18" | 7/8" | 15" | | 12 | 5/8" | 10 5/8" | | | |
| 16 1/2" | 14 3/4" | 13 1/2" | 12" | 1 1/4" | 22" | 7/8" | 19" | | 12 | 3/4" | 12 1/2" | | | |
| 20" | 14 3/4" | 13 1/2" | 12" | 1 1/2" | 25" | 1" | 22" | | 12 | 7/8" | 14 3/4" | | | |
| 24 1/2" | 14 3/4" | 13 1/2" | 16" | 1 1/2" | 30" | 1" | 27" | | 12 | 7/8" | 16 1/4" | | | |
| 30 1/2" | 22" | 26" | 16" | 1 1/2" | 36" | 1 1/8" | 33" | | 12 | 1" | 18 7/8" | | | |

| BELOW SURFACE TEE DIMENSIONS | | | | | | | | | | | | | |
|------------------------------|---------|---------|--------|---------|---------|------|--------|----|--------|---------|--------|--------|---------|
| O.D. | F | G | MIN. H | I.D. J | O.D. K | L | MIN. M | T | V | W | FLANGE | | |
| | | | | | | | | | | | X | Y | Z |
| 6 5/8" | 6.435" | 9 1/4" | 9" | 6.435" | 9 1/4" | A.R. | 8" | 12 | 3/4" | 8 1/8" | 12 | 3/4" | 8 1/8" |
| 8 5/8" | 8.435" | 11 3/4" | 10" | 8.435" | 11 3/4" | A.R. | 10" | 12 | 3/4" | 10 5/8" | 12 | 3/4" | 10 5/8" |
| 10 3/4" | 10.561" | 13 3/4" | 11" | 10.561" | 13 3/4" | A.R. | 11" | 12 | 7/8" | 12 1/2" | 12 | 7/8" | 12 1/2" |
| 12 3/4" | 12.537" | 16 1/4" | 13" | 12.537" | 16 1/4" | A.R. | 13" | 12 | 1" | 14 3/4" | 12 | 1" | 14 3/4" |
| 14" | 13.787" | 17 3/4" | 14" | 13.787" | 17 3/4" | A.R. | 14" | 12 | 1" | 16 1/4" | 12 | 1" | 16 1/4" |
| 16" | 15.787" | 20 3/4" | 15" | 15.787" | 20 3/4" | A.R. | 15" | 12 | 1 1/8" | 18 7/8" | 12 | 1 1/8" | 18 7/8" |

S.A. Armstrong Limited
 23 Bertrand Avenue
 Toronto, Ontario
 Canada, M1L 2P3
 Tel: (416) 755-2291
 Fax: (416) 759-9101

Armstrong Pumps Limited
 Peartree Road, Stanway
 Colchester, Essex
 United Kingdom, C03 5JX
 Tel: 01206-579491
 Fax: 01206-760532



Armstrong Pumps Inc.
 93 East Avenue
 Buffalo, New York
 U.S.A. 14120-6594
 Tel: (716) 693-8813
 Fax: (716) 693-8970
 1-800-FLOW-845

Armstrong Darling Inc.
 2200 Place Transcanadienne
 Montreal, Quebec
 Canada, H9P 2X5
 Tel: (514) 421-2424
 Fax: (514) 421-2436
 Printed in Canada