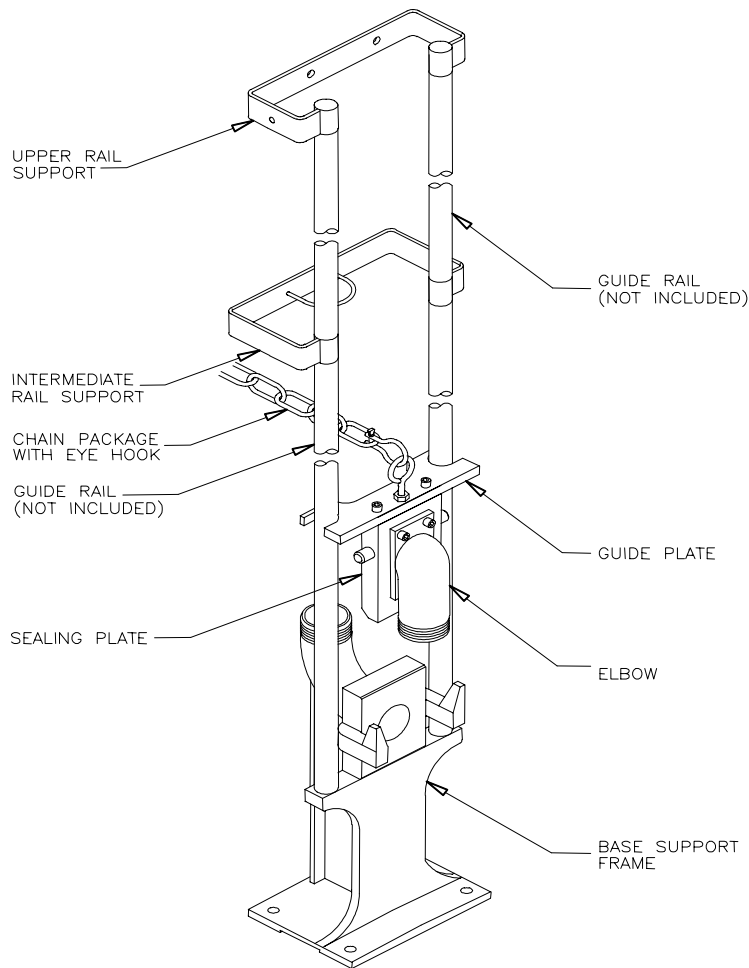


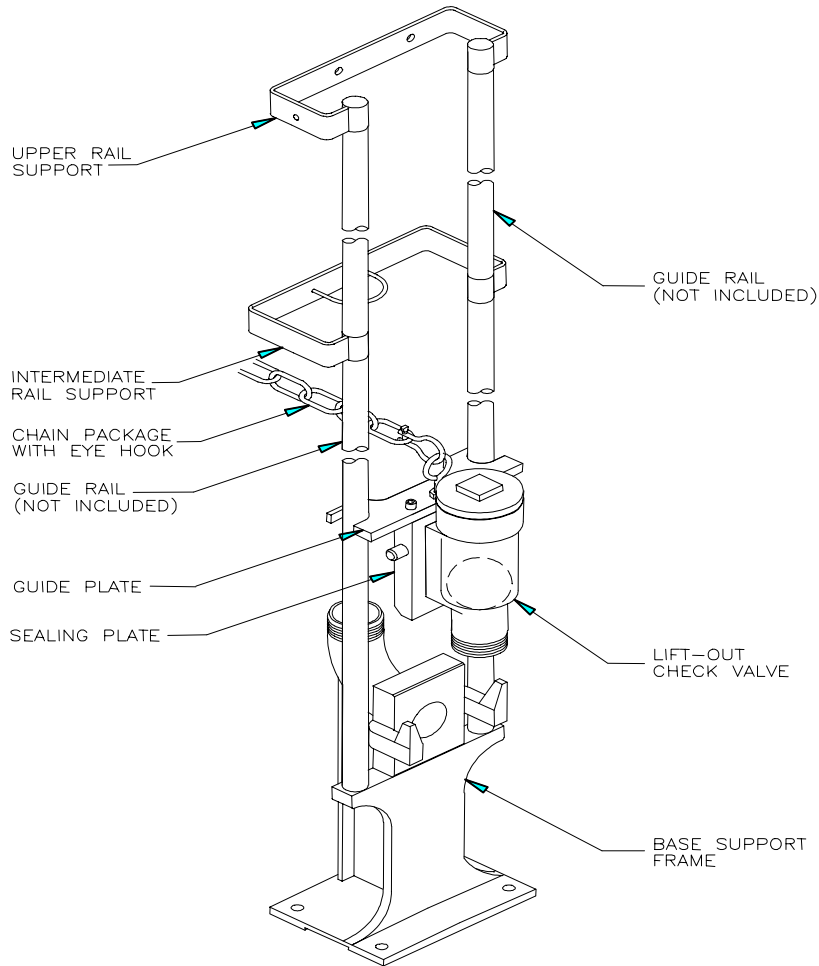
### SUBMITTAL

|                   |                                 |
|-------------------|---------------------------------|
| Job: _____        | Representative: _____           |
| _____             | _____                           |
| _____             | _____                           |
| _____             | _____                           |
| Engineer: _____   | Order No: _____ Date: _____     |
| Contractor: _____ | Submitted by: _____ Date: _____ |
| _____             | Approved by: _____ Date: _____  |

### EZ-Out Guide Rail System



# EZ-Out Check Valve Guide Rail System



**S.A. Armstrong Limited**  
 23 Bertrand Avenue  
 Toronto, Ontario  
 Canada, M1L 2P3  
 Tel: (416) 755-2291  
 Fax: (416) 759-9101  
 Visit us at [www.armstrongpumps.com](http://www.armstrongpumps.com)

**Armstrong Pumps Limited**  
 Peartree Road, Stanway  
 Colchester, Essex  
 United Kingdom, C03 5JX  
 Tel: 01206-579491  
 Fax: 01206-760532



**Armstrong Pumps Inc.**  
 93 East Avenue  
 Buffalo, New York  
 U.S.A. 14120-6594  
 Tel: (716) 693-8813  
 Fax: (716) 693-8970

**Armstrong Darling Inc.**  
 2200 Place Transcanadienne  
 Montreal, Quebec  
 Canada, H9P 2X5  
 Tel: (514) 421-2424  
 Fax: (514) 421-2436

© S.A. Armstrong Limited 2000

