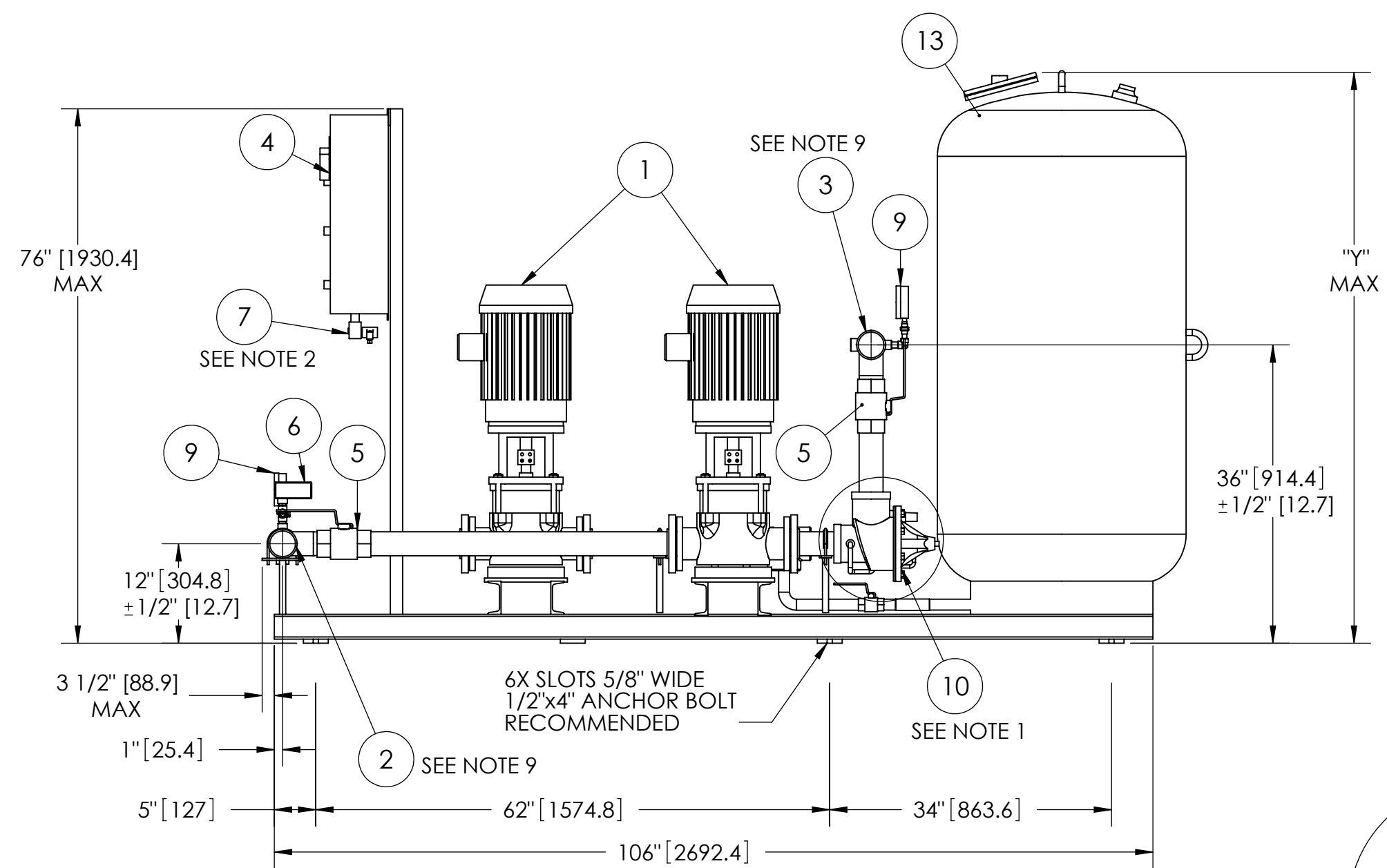
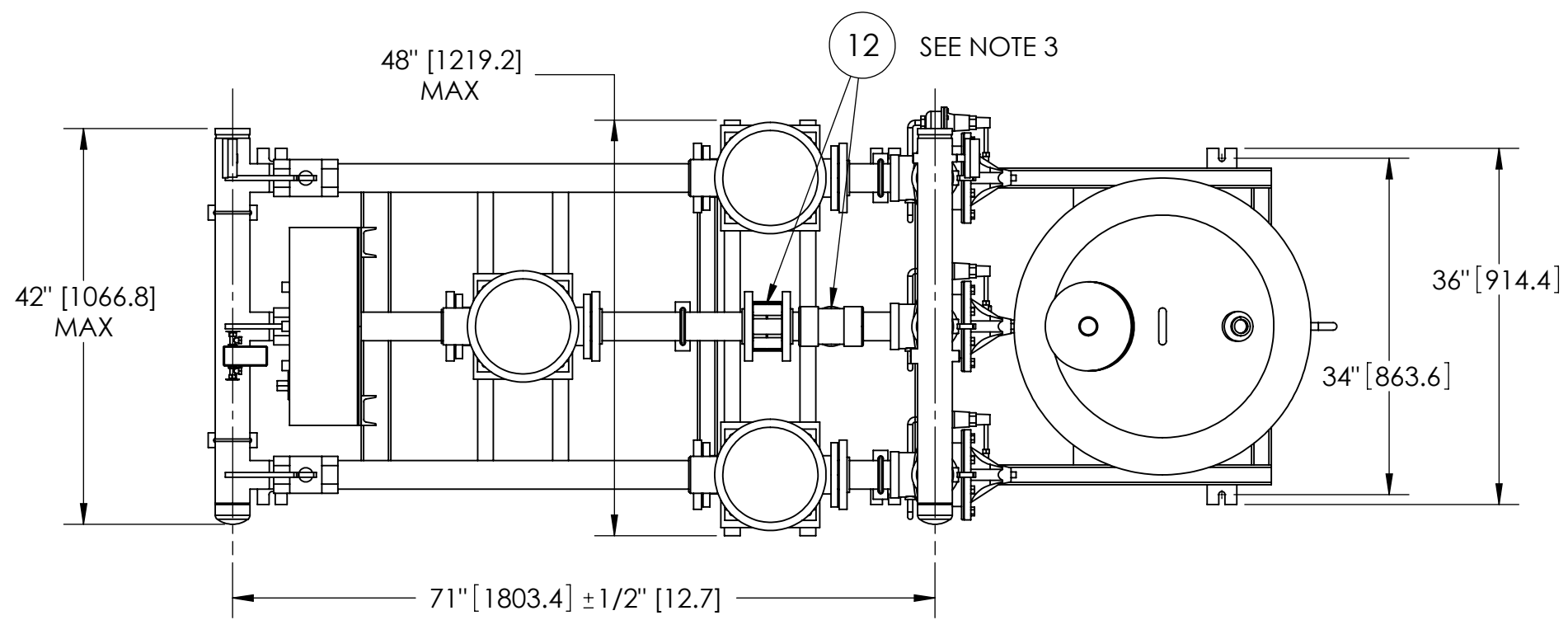


REVISIONS				
ZONE	REV.	DESCRIPTION	DATE	APPROVED
	B	REDRAWN WITH CHANGES, SEE E.O. #103838	2/14/11	

FILE NO.: 62.5236  
DATE: May 07, 2011  
SUPERSEDES: 62.5236  
DATE: Feb. 01, 2010



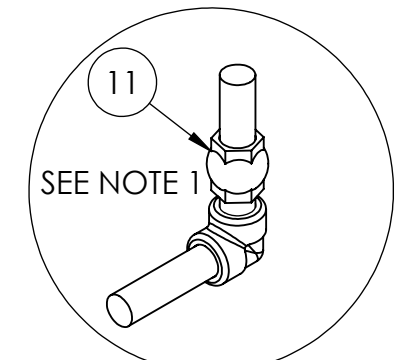
**NOTES:**

- Item 10 (PRV) is standard for constant speed packages.
- Item 7 is standard for continuous run packages and not standard for intermittent use packages, 1/4" NPT to be connected to drain by others.
- Items 12 are optionally available on Constant Speed systems with PRVs and adjacent mounted drawdown tanks. Dimensions in parenthesis applies when items 12 are used. For Check Valve only systems items 12 are not provided, dimensions in parenthesis do not apply and 1" [25.4] tank connection is located on discharge header.
- Dimensions are based on factory choice standard components. For other than standard consult factory, as a new drawing may be required.
- All dimensions are in inches [Metric].
- Tolerances are +/- 1/4" [6.35] unless otherwise specified.
- Drawings are for layout purposes only.
- Drawing 2402-107 is applicable for Pumps with connection size up to 3", 30hp @ 3600rpm, and nominal impeller diameters of 10". For other sizes consult factory for new drawing.
- Booster is supplied with standard groove for header connections suitable for optional victaulic type or equivalent flanges (optionally supplied loose).
- Type L copper suitable for 175psi, type K suitable for 250psi.

Maximum System Pressure:  175 PSI  250 PSI

**INLET ORIENTATION**

LEFT HAND - STD. AS SHOWN  RIGHT HAND



**INCLUDED**  
 PRV  CHECK VALVE

HEADER SIZE	
<input type="checkbox"/>	3" IPS PIPE 304 S.S.
<input type="checkbox"/>	4" IPS PIPE 304 S.S.
<input type="checkbox"/>	6" IPS PIPE 304 S.S.

<b>1</b>	<b>PUMP &amp; MOTOR</b>	<b>8</b>	<b>BASE &amp; PANEL SUPPORT</b>
<b>2</b>	<b>SUCTION CONNECTION</b>	<b>9</b>	<b>PRESSURE GAUGES</b>
<b>3</b>	<b>DISCHARGE CONNECTION</b>	<b>10</b>	<b>PRESSURE REDUCING VALVE (PRV)</b>
<b>4</b>	<b>CONTROL PANEL</b>	<b>11</b>	<b>CHECK VALVE ONLY (OPTIONAL)</b>
<b>5</b>	<b>ISOLATION VALVES</b>	<b>12</b>	<b>TM CHECK VALVE &amp; TEE (SEE NOTE 3)</b>
<b>6</b>	<b>AQUASTAT</b>	<b>13</b>	<b>DRAWDOWN TANK (SEE TANK CHART)</b>
<b>7</b>	<b>SOLENOID VALVE (1/4" NPT)</b>		

TANK OPTIONS			
BLADDER TANK	RATING (PSI)	CAPACITY USG	DIMENSION "Y"
FX-200V	150 (NON ASME)	53	52.5" [1333.5]
FX-300V		80	58.5" [1485.9]
FX-500V		132	64.5" [1638.3]
FX 750V		198	82.5" [2095.5]
400L	125 (ASME)	106	52.5" [1333.5]
500L		132	60.5" [1536.7]
600L		158	70.5" [1790.7]
800L		211	79.5" [2019.3]
700L	200 (ASME)	185	85.5" [2171.7]

UNLESS OTHERWISE SPECIFIED:		NAME	DATE
DRAWN	SP		11/29/03
CHECKED	JMC		3/30/11
Q.A.	EH		3/30/11
MFG APPR.	JRL		3/30/11
ENG APPR.	JC		3/30/11

**ARMSTRONG**

**6737 - TRIPLEX DWB**

SIZE: **C** DWG. NO.: 2402-107 REV: **B**

SCALE: NTS WEIGHT: SHEET 1 OF 1

PROPRIETARY AND CONFIDENTIAL  
THE INFORMATION CONTAINED IN THIS DRAWING IS THE SOLE PROPERTY OF S.A. ARMSTRONG. ANY REPRODUCTION IN PART OR AS A WHOLE WITHOUT THE WRITTEN PERMISSION OF S.A. ARMSTRONG IS PROHIBITED.

DO NOT SCALE

