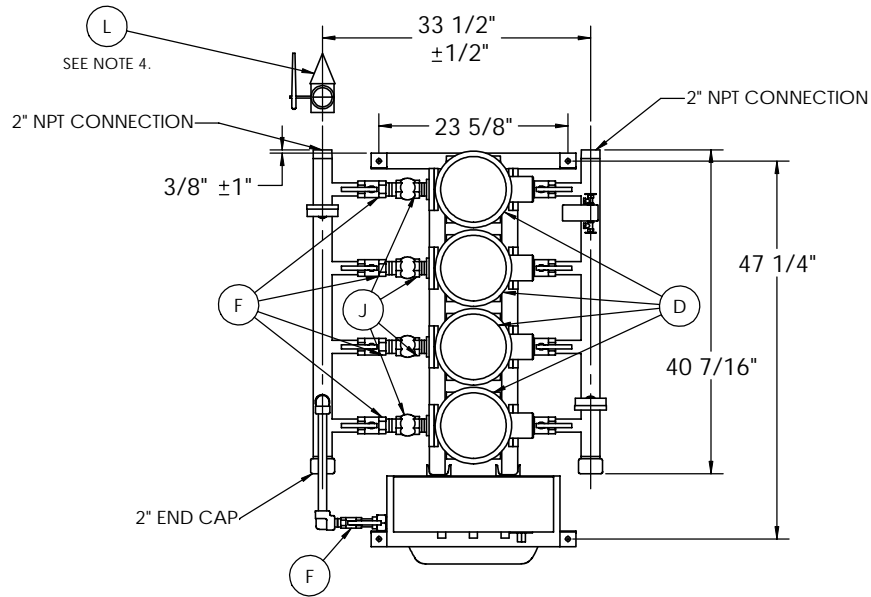


D

C

B

A

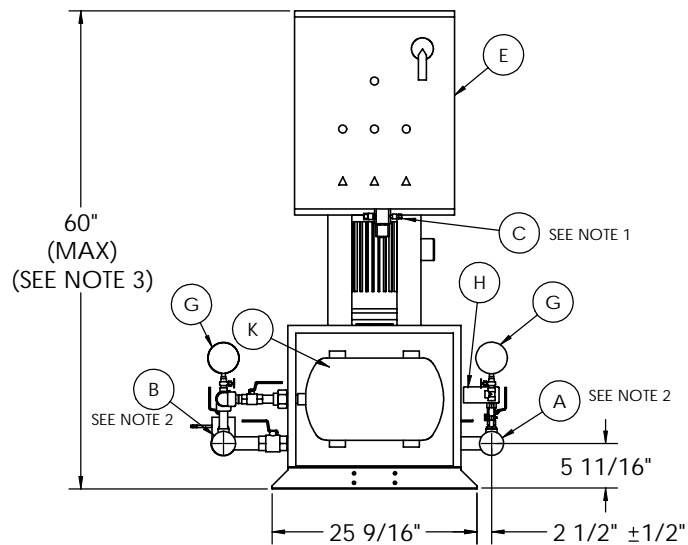


NOTES

- 1- 'C' (1/4" NPT) Provided on continuous run systems only. To be connected to drain by others.
- 2- Booster is supplied with standard NPT threads for A & B header Flanges (supplied by others).
- 3- Consult drawing 2400-000 for Variable Speed Drive (VFD) controller dimensions.
- 4- PRV(Globed or Angle) to be supplied loose (optional). Must be installed on-site.


COMMENTS

- Drawing 6840-010 is applicable for VMS 03/05 pump up to 7.5 HP@ 3600 RPM. For other sizes consult factory for new drawing.
- Dimensions are based on factory choice standard components. For other than standard consult factory for new drawing.
- Tolerances are (+/-) 1/2" unless otherwise specified.
- All dimensions are in inches.



A	SUCTION CONNECTION	F	BRONZE BALL VALVE
B	DISCHARGE CONNECTION	G	PRESSURE GAUGE
C	SOLENOID VALVE (1/4" NPT)	H	AQUASTAT (TEMPERATURE PROBE)
D	PUMP & MOTOR	J	CHECK VALVE
E	CONTROL PANEL	K	DRAWDOWN TANK
		L	PRV (OPTIONAL)

DO NOT SCALE

DRAWN BY	SP	DATE	12/13/03	 ARMSTRONG ARMSTRONG PUMPS INC. NORTH TONAWANDA, NY 14120
CHECK	GB	DATE	06/07/04	
ENGINEERING		DRAWING TITLE		
QUALITY ASSURANCE		6841 / 42 - DOMESTIC WATER BOOSTER		
MANUFACTURING		SIZE	DRAWING NUMBER	REV.
		C	6840-010	C
SCALE:	WEIGHT:	SHEET:		