

## ARMflo E Series Circulators - Models E32/E32B

## SUBMITTAL

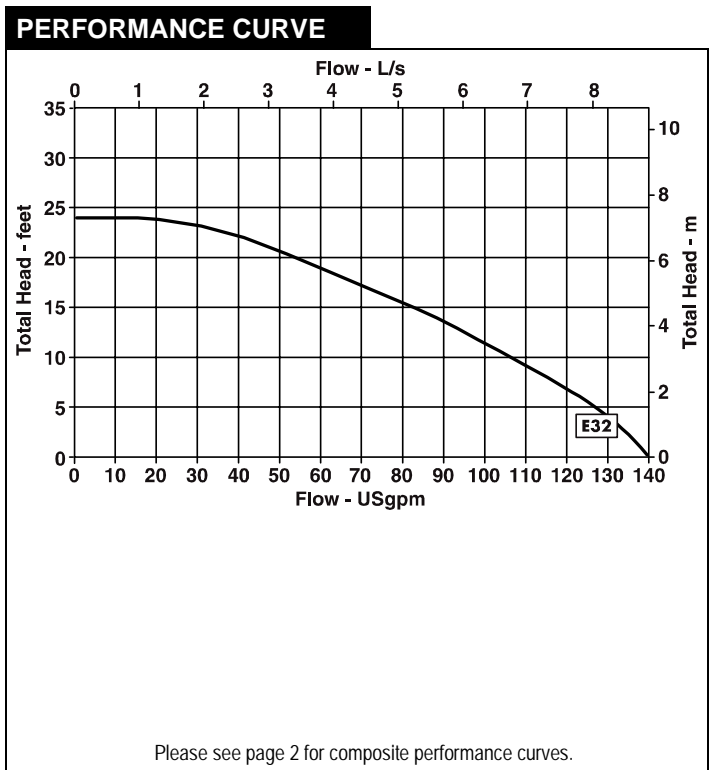
JOB: _____	REPRESENTATIVE: _____
ENGINEER: _____	ORDER NO: _____ DATE: _____
CONTRACTOR: _____	SUBMITTED BY: _____ DATE: _____
	APPROVED BY: _____ DATE: _____

Quantity	TAG No.	Model No.	Flow (USgpm)	Head (feet)	Voltage	Phase	Comments

TECHNICAL DATA	
Flow Range	0 to 140.0 USgpm (0 to 8.2 L/s)
Head Range	0 to 24.4 feet (0 to 7.4 m)
Max. Fluid Temperature	230°F (110°C)
Max. Working Pressure	150 psi (1034 kPa)

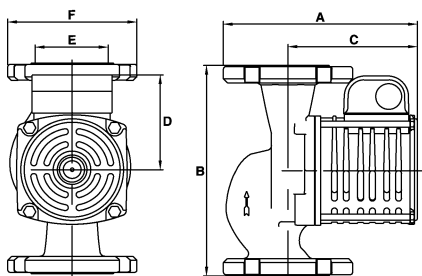
MOTOR DATA	
Nominal Power	2/5 hp (300 W)
Voltage	120 V
Full Load Amp Draw	5.8 A
Frequency	60 Hz
Motor Type	2 pole, Single Phase
Speed	3300 rpm

MATERIALS OF CONSTRUCTION	
Pump Body	Cast Iron (closed systems) or Bronze (open systems)
Face Plate	Stainless Steel
Impeller	30% Glass-filled Noryl
Shaft	Stainless Steel
Bearings	Permanently lubricated Stainless Steel
Gasket	EPDM
Seal	Silicon Carbide <i>EnviroSeal</i>



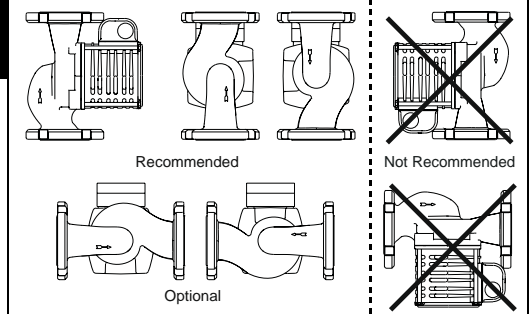
DIMENSIONS and WEIGHTS									
Model	Body	A	B	C	D	E	F	Connection Type & Size	Shipping Weight
ARMflo E32	Cast Iron	10.2 (259)	8.5 (215)	7.6 (193)	4.0 (101)	2.9 (73)	5.2 (131)	2" diameter 4-bolt flanges	23.1 (10.5)
ARMflo E32B	Bronze	10.2 (259)	8.5 (215)	7.6 (193)	4.0 (101)	2.9 (73)	5.2 (131)	2" diameter 4-bolt flanges	24.7 (11.2)

Note: All dimensions are in inches (mm) and weights in lbs (kg)



**FOR INDOOR USE ONLY**

### MOUNTING POSITIONS

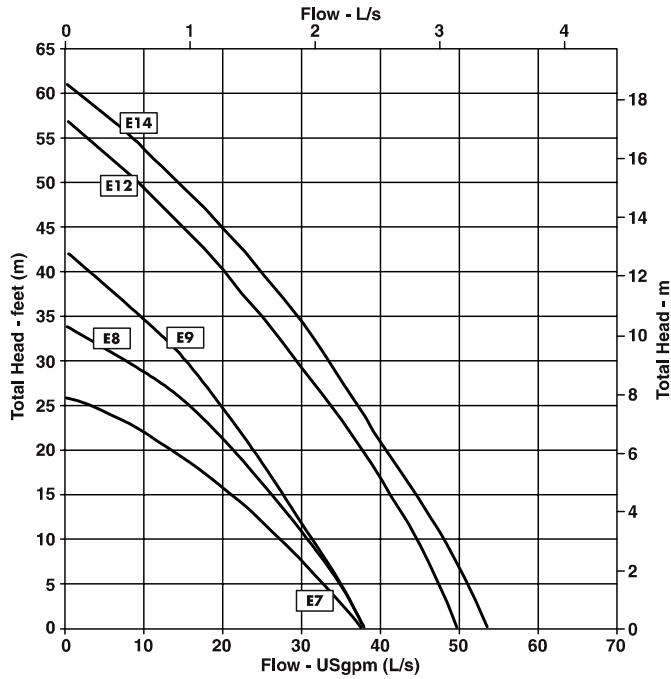




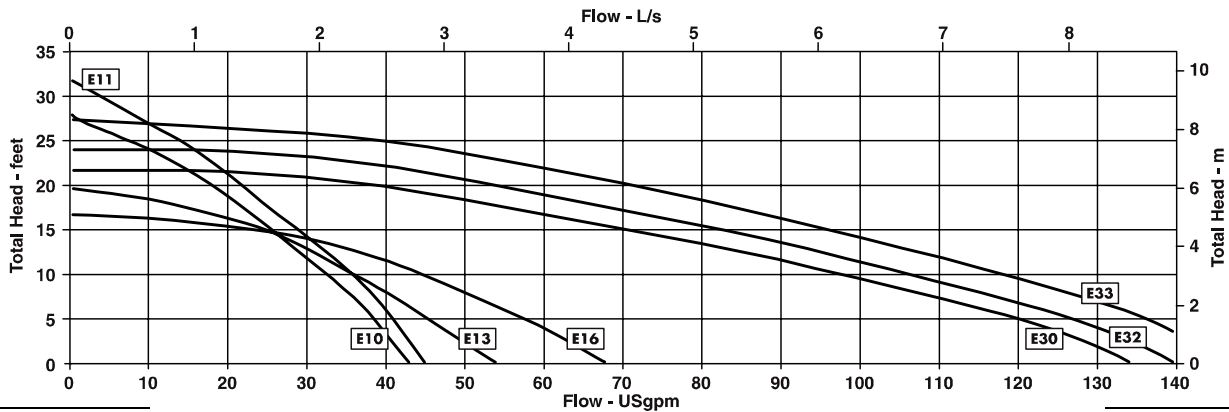
# ARMflo E Series Circulators

## COMPOSITE PERFORMANCE CURVES

### Medium-High Head, Moderate Flow



### Medium Head, Moderate-High Flow



S. A. Armstrong Limited  
 23 Bertrand Avenue  
 Toronto, Ontario  
 Canada, M1L 2P3  
 T: 416-755-2291  
 F: 416-759-9101

Armstrong Pumps Inc.  
 93 East Avenue  
 North Tonawanda, New York  
 U.S.A. 14120-6594  
 T: 716-693-8813  
 F: 716-693-8970

Armstrong Integrated Limited  
 Wenlock Way  
 Manchester  
 United Kingdom, M12 5JL  
 T: +44 (0) 8444 145 145  
 F: +44 (0) 8444 145 146



© S.A. Armstrong Limited 2010