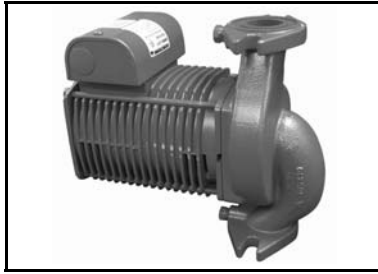


## ARMflo E Series Circulators - Models E19/E19B

## SUBMITTAL



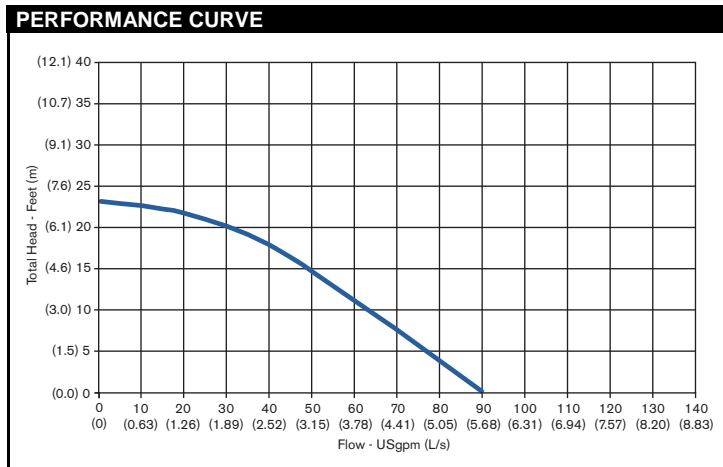
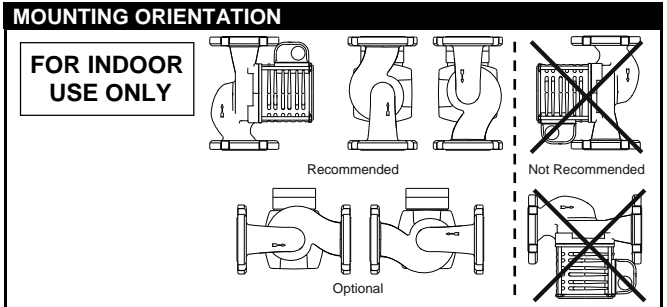
JOB/PROJECT: \_\_\_\_\_  
 REPRESENTATIVE: \_\_\_\_\_  
 ENGINEER: \_\_\_\_\_  
 CONTRACTOR: \_\_\_\_\_  
 ORDER NO: \_\_\_\_\_ DATE: \_\_\_\_\_  
 SUBMITTED BY: \_\_\_\_\_ DATE: \_\_\_\_\_  
 APPROVED BY: \_\_\_\_\_ DATE: \_\_\_\_\_

Quantity	TAG No.	Part No.	Flow (USgpm)	Head (feet)	Voltage	Phase	Comments

TECHNICAL DATA	
Flow Range	0 to 90.0 USgpm (0 to 5.7 L/s)
Head Range	0 to 23.0 feet (0 to 7.0 m)
Max. Fluid Temperature	230°F (110°C)
Max. Working Pressure	150 psi (1034 kPa)

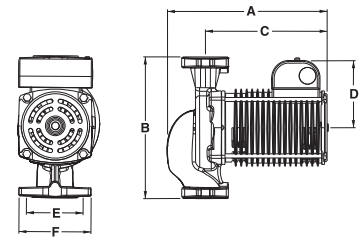
MOTOR DATA				
Nominal Power	2/5 hp (300 W)			
Voltage	120 V	208 V	240 V	277 V
Full Load Amp Draw	3.4 A	1.8 A	1.8 A	1.8 A
Frequency	60 Hz			
Motor Type	2 pole, Single Phase, ODP			
Speed	3450 rpm			

MATERIALS OF CONSTRUCTION			
Pump Body	Cast Iron (closed systems)	Bronze (open systems)	Lead Free Bronze*
Face Plate	Stainless Steel		
Impeller	30% Glass-filled Noryl		
Shaft	Stainless Steel		
Bearings	Permanently lubricated Stainless Steel		
Volute Gasket	EPDM		
Seal	Silicon Carbide <i>EnviroSeal</i> c/w viton elastomer		



PART NUMBER		
	120 V	240 V
E19	180210-649	180210-608
E19B	180210-650	180210-609
E19B	180210LF-650	180210LF-609

E19/E19B ACCESSORIES	
1" Flange kits	Timer
1¼" Flange kits	Aquastat
1½" Flange kits	Spool Pieces



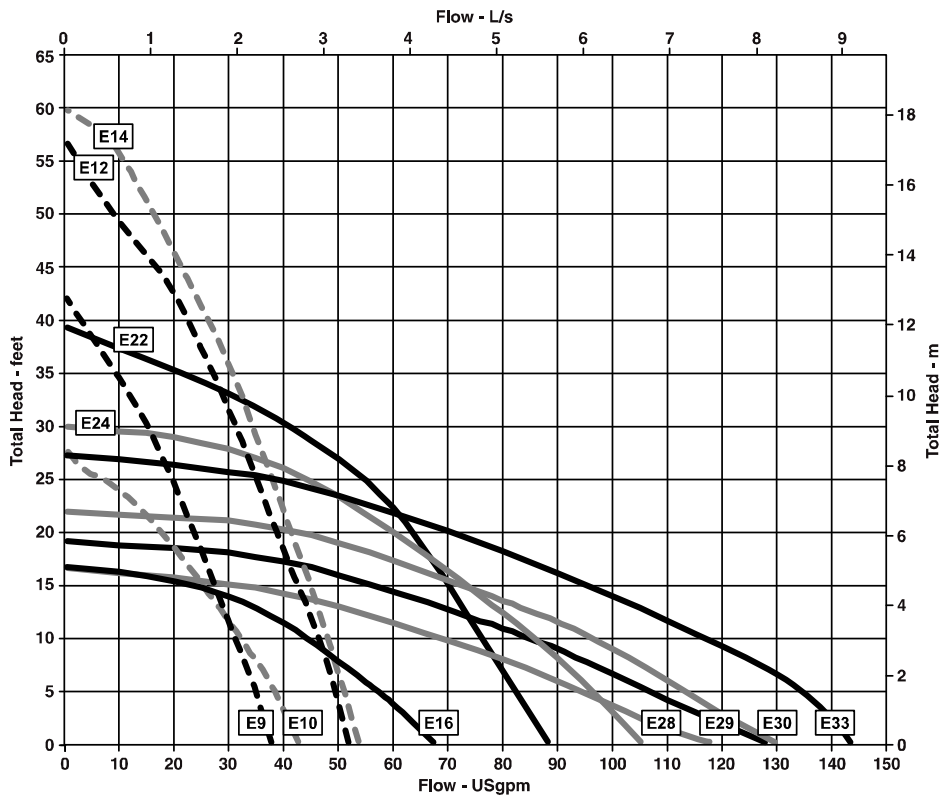
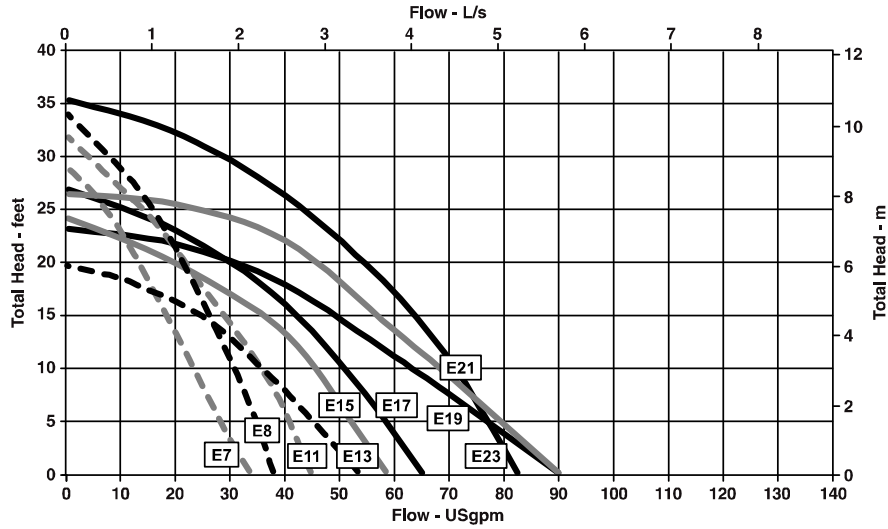
DIMENSIONS AND WEIGHTS									
Model	Body	A	B	C	D	E	F	Connection Type & Size	Shipping Weight
ARMflo E19	Cast Iron	9.6 (244)	8.5 (215)	7.3 (185)	4.0 (101)	3.4 (86)	4.2 (107)	1.5" diameter 2-bolt flanges	20.1 (9.1)
ARMflo E19B	Bronze /LF Bronze*	9.6 (244)	8.5 (215)	7.3 (185)	4.0 (101)	3.4 (86)	4.2 (107)	1.5" diameter 2-bolt flanges	20.1 (9.1)

Note: All dimensions are in inches (mm) and weights in lbs (kg)  
 \*Contains less than 0.25% lead, weighted average.



# ARMflo E Series Circulators

## COMPOSITE PERFORMANCE CURVES



S. A. Armstrong Limited  
 23 Bertrand Avenue  
 Toronto, Ontario  
 Canada, M1L 2P3  
 T: 416-755-2291  
 F: 416-759-9101

Armstrong Pumps Inc.  
 93 East Avenue  
 North Tonawanda, New York  
 U.S.A. 14120-6594  
 T: 716-693-8813  
 F: 716-693-8970

Armstrong Integrated Limited  
 Wenlock Way  
 Manchester  
 United Kingdom, M12 5JL  
 T: +44 (0) 8444 145 145  
 F: +44 (0) 8444 145 146



© S.A. Armstrong Limited 2011