

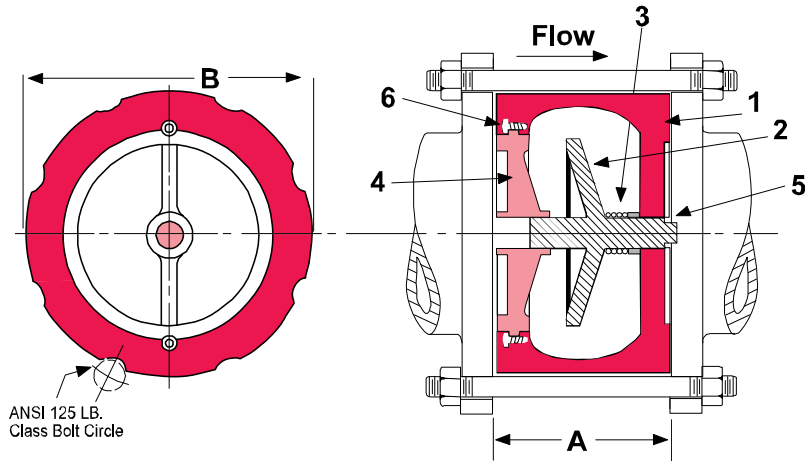
Wafer Check Valves

SUBMITTAL

JOB: _____	REPRESENTATIVE: _____
ENGINEER: _____	ORDER NO: _____ DATE: _____
CONTRACTOR: _____	SUBMITTED BY: _____ DATE: _____
	APPROVED BY: _____ DATE: _____

MATERIALS OF CONSTRUCTION		
1	Cast Body	A126 Class B
2	Plug	A351 Gr. CF8M
3	Spring	Stainless Steel
4	Seat	A351 Gr. CF8M
5	Bushing	Stainless Steel
6	Screw	Stainless Steel

PRESSURES AND TEMPERATURES		
Service	psi	Temperature
Liquid	200	82°C (180°F)



DIMENSION				
Size	A	B	Cv	Weight
2.50 (65)	2.88 (73)	4.75 (121)	60	9 (4.1)
3.00 (80)	3.13 (80)	5.25 (133)	85	15 (6.8)

Note: All measurements are in inches (mm) and weights are in lbs (kg).

Notes : Manufacturer reserves the right to modify dimensions, materials, or design. Contact factory for certification.

The Flow Coefficient (Cv) is the number of gallons per minute of water flowing through a given size restriction at a pressure drop of one psi.

S. A. Armstrong Limited
 23 Bertrand Avenue
 Toronto, Ontario
 Canada, M1L 2P3
 T: (416) 755-2291
 F (Main): (416) 759-9101

Armstrong Pumps Inc.
 93 East Avenue
 North Tonawanda, New York
 U.S.A. 14120-6594
 T: (716) 693-8813
 F: (716) 693-8970

Armstrong Integrated Limited
 Wenlock Way
 Manchester
 United Kingdom, M12 5JL
 T.: +44 (0) 8444 145 145
 F.: +44 (0) 8444 145 146



© S.A. Armstrong Limited 2010