

## Globe Style Check Valves

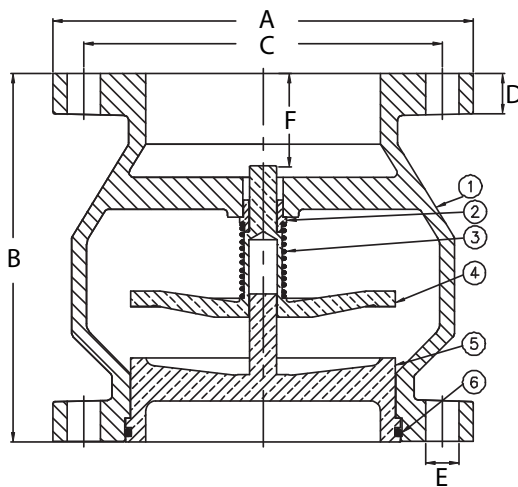
## SUBMITTAL

JOB: _____	REPRESENTATIVE: _____
ENGINEER: _____	ORDER NO: _____ DATE: _____
CONTRACTOR: _____	SUBMITTED BY: _____ DATE: _____
	APPROVED BY: _____ DATE: _____

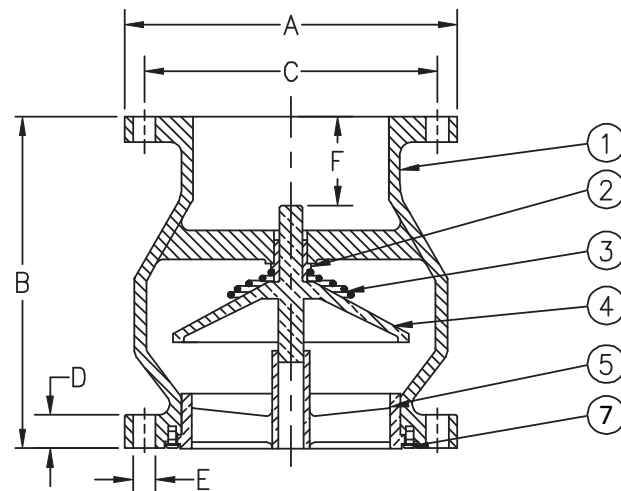
### MATERIALS OF CONSTRUCTION

Item No.	Description	ANSI 125		ANSI 250	
		Material	ASTM	Material	ASTM
1	Body (Epoxy Coated)	Cast iron	Cast Iron A126	Cast iron	Class 35 Gery Iron
2	Bushing	Bronze	C89833	Bronze	B584
3	Spring	Stainless Steel	302	Stainless Steel	304
4	Poppet	Bronze	C89833	Bronze	B584
5	Seat ring	Bronze	C89833	Bronze	B584
6	O-Ring	Buna-n	-	-	-
7	Button Head Socket Screws	-	-	Stainless Steel	304

Max temp 180°F(82°C), Max inlet pressure 200psi(14bar)



ANSI 125



ANSI 250

### DIMENSION

Model	Size	A	B	C	D	E	F	Weight	Bolt Size
ANSI 125	2.50 (65)	7.00 (178)	5.50 (140)	5.50 (140)	0.69 (18)	0.75 (19)	1.34 (34)	18 (8.0)	0.63 (16)
	3.00 (80)	7.50 (191)	6.00 (152)	6.00 (152)	0.75 (19)	0.75 (19)	1.38 (35)	23 (10.0)	0.63 (16)
	4.00 (100)	9.00 (229)	7.25 (184)	7.50 (191)	0.94 (24)	0.75 (19)	1.59 (41)	40 (18.0)	0.63 (16)
ANSI 250	2.50 (65)	7.50 (191)	5.50 (140)	5.88 (149)	1.00 (25)	0.88 (22)	1.44 (37)	19 (9.0)	0.75 (19)
	3.00 (80)	8.25 (210)	6.00 (152)	6.63 (168)	1.13 (28)	0.88 (22)	1.38 (35)	25 (11.0)	0.75 (19)
	4.00 (100)	10.00 (254)	7.25 (184)	7.88 (200)	1.25 (32)	0.88 (22)	1.75 (44)	44 (20.0)	0.75 (19)

Note: All measurements are in inches (mm) and weights are in lbs (kg).

**S. A. Armstrong Limited**  
 23 Bertrand Avenue  
 Toronto, Ontario  
 Canada, M1L 2P3  
 T: (416) 755-2291  
 F (Main): (416) 759-9101

**Armstrong Pumps Inc.**  
 93 East Avenue  
 North Tonawanda, New York  
 U.S.A. 14120-6594  
 T: (716) 693-8813  
 F: (716) 693-8970

**Armstrong Integrated Limited**  
 Wenlock Way  
 Manchester  
 United Kingdom, M12 5JL  
 T.: +44 (0) 8444 145 145  
 F.: +44 (0) 8444 145 146



© S.A. Armstrong Limited 2010