

FUSED DISCONNECT SWITCHES FOR WALL MOUNTING | SUBMITTAL

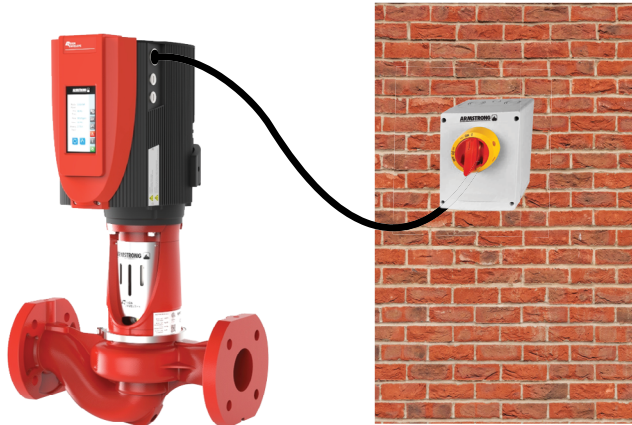
File No: 100.8131
 Date: DECEMBER 12, 2022
 Supersedes: 100.8131
 Date: JANUARY 06, 2022

Job: _____ Representative: _____
 _____ Order No: _____ Date: _____
 Engineer: _____ Submitted by: _____ Date: _____
 Contractor: _____ Approved by: _____ Date: _____

DISCONNECT CONFIGURATION

Site electrical input voltage : _____
 Number of 1PH 200-240V motors : 2hp & lower: _____
 Number of 3PH 200-240V motors : 10hp & lower: _____
 Number of 3PH 380-480V motors : 10hp & lower: _____
 Number of 3PH 575-660V motors : 10hp & lower: _____

FUSED DISCONNECT FOR WALL MOUNTING



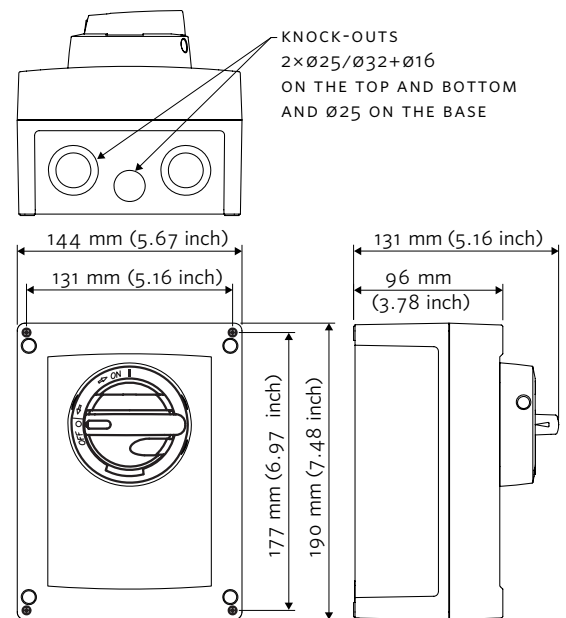
TECHNICAL DATA

Enclosure: UL/NEMA 4X rated

Terminals
 Number of poles: 3-poles, ground
 Terminal size acceptability: Copper conductors only, 75°C, 14-8AWG

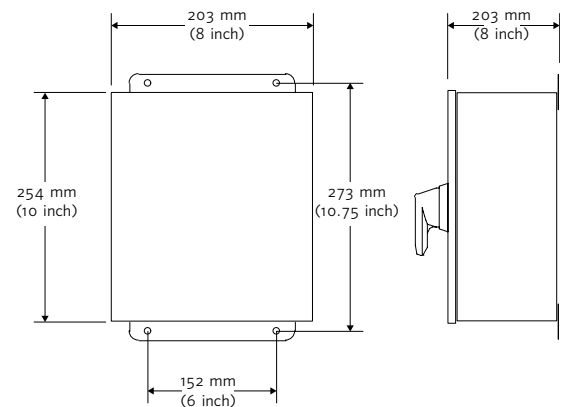
Electrical/Environmental
 Up to 600V / Up to 60A, 50/60Hz
 Minimum short circuit rating: 10kA
 Ambient operating temperature: -10°C to +50°C (+14°F to +122°F)
 Ambient storage temperature: -30°C to +65°C (-22°F to +149°F)

30A DISCONNECT



Weight: 3.5 lbs (1.6 kg)

60A DISCONNECT



Weight: 9 lbs (4.1 kg)

ARMSTRONG DISCONNECT SWITCH AND FUSE RATING - 1PH 200-240V INPUT POWER FOR USE WITH DESIGN ENVELOPE PERMANENT MAGNET MOTORS - FRAME 71

RATED POWER		DISCONNECT SWITCH RATING	FUSE RATING	FUSE CLASS TYPES	MAXIMUM DRIVER INPUT CURRENT (A)	
HP	KW				200 VAC	240 VAC
0.33	0.25	30A	6A	CC FAST-ACTING	2.0	1.6
0.5	0.37		6A		2.6	2.0
0.75	0.55		10A		3.3	2.9
1	0.75		10A	J FAST-ACTING	4.8	4.0
1.5	1.1		15A	RK1 FAST-ACTING	7.1	5.8
2	1.5		20A		9.3	7.6

ARMSTRONG DISCONNECT SWITCH AND FUSE RATING - 3PH 200-240V INPUT POWER FOR USE WITH DESIGN ENVELOPE PERMANENT MAGNET MOTORS - DEPM

RATED POWER		DISCONNECT SWITCH RATING	FUSE RATING	FUSE CLASS TYPES	MAXIMUM DRIVER INPUT CURRENT (A)	
HP	KW				200 VAC	240 VAC
1	0.75	30A	10A	CC FAST-ACTING	3.1	2.7
1.5	1.1		10A		4.2	3.7
2	1.5		15A	J FAST-ACTING	6.0	4.8
3	2.2		20A	RK1 FAST-ACTING	8.8	7.2
5	4		30A		15.7	14.0
7.5	5.5	60A	50A	J FAST-ACTING	20.7	18.5
10	7.5		60A	RK1 FAST-ACTING	28.1	25.1

ARMSTRONG DISCONNECT SWITCH AND FUSE RATING - 3PH 200-240V INPUT POWER FOR USE WITH DESIGN ENVELOPE PERMANENT MAGNET MOTORS - DEPM2

RATED POWER		DISCONNECT SWITCH RATING	FUSE RATING	FUSE CLASS TYPES	MAXIMUM DRIVER INPUT CURRENT (A)	
HP	KW				200 VAC	240 VAC
3	2.2	30A	20A	CC FAST-ACTING	7.4	6.4
5.5	4		30A		14.2	12.6
7.5	5.5		30A		19.0	16.6
10	7.5		30A		26.2	23.0

ARMSTRONG DISCONNECT SWITCH AND FUSE RATING - 3PH 380V-480V INPUT POWER FOR USE WITH DESIGN ENVELOPE PERMANENT MAGNET MOTORS - FRAME 71

RATED POWER		DISCONNECT SWITCH RATING	FUSE RATING	FUSE CLASS TYPES	MAXIMUM DRIVER INPUT CURRENT (A)	
HP	KW				380 VAC	480 VAC
0.33	0.25	30A	5A	CC FAST-ACTING	1.3	0.8
0.5	0.37		5A		1.6	1.1
0.75	0.55		6A		1.9	1.5
1	0.75		6A	2.5	2.0	
1.5	1.1		10A	J FAST-ACTING	4.1	3.5
2	1.5		10A	RK1 FAST-ACTING	5.3	3.9
3	2.2		10A		6.5	5.8
4	3		15A		6.1	4.9
5	4		20A	9.2	7.1	
7.5	5.5		25A	12.5	8.2	
10	7.5		30A	18.5	14.5	

3

ARMSTRONG DISCONNECT SWITCH AND FUSE RATING - 3PH 380V-480V INPUT POWER FOR USE WITH DESIGN ENVELOPE PERMANENT MAGNET MOTORS - DEPM

RATED POWER		DISCONNECT SWITCH RATING	FUSE RATING	FUSE CLASS TYPES	MAXIMUM DRIVER INPUT CURRENT (A)	
HP	KW				380 VAC	480 VAC
1	0.75	30A	6A	CC FAST-ACTING	2.1	1.7
1.5	1.1		6A		2.8	2.3
2	1.5		10A	J FAST-ACTING	4.8	4.1
3	2.2		10A		6.5	5.8
4	3		15A	RK1 FAST-ACTING	6.1	4.9
5	4		20A		9.2	7.1
7.5	5.5		25A		12.5	8.2
10	7.5		30A		18.5	14.5

ARMSTRONG DISCONNECT SWITCH AND FUSE RATING - 3PH 380V-480V INPUT POWER FOR USE WITH DESIGN ENVELOPE PERMANENT MAGNET MOTORS - DEPM2

RATED POWER		DISCONNECT SWITCH RATING	FUSE RATING	FUSE CLASS TYPES	MAXIMUM DRIVER INPUT CURRENT (A)	
HP	KW				380 VAC	480 VAC
3	2.2	30A	10A	CC FAST-ACTING	3.9	3.2
4	3		10A		5.4	4.2
5.5	4		15A		7.1	5.7
7.5	5.5		15A		9.5	7.6
10	7.5		25A		13.6	11.3
15	11		30A		18.8	15.5

ARMSTRONG DISCONNECT SWITCH AND FUSE RATING - 3PH 575-600V INPUT POWER FOR USE WITH DESIGN ENVELOPE PERMANENT MAGNET MOTORS - DEPM MOTORS

RATED POWER		DISCONNECT SWITCH RATING	FUSE RATING	FUSE CLASS TYPES	MAXIMUM DRIVER INPUT CURRENT (A)	
HP	KW				575 VAC	600 VAC
1	0.75	30A	5A	CC FAST-ACTING	1.6	1.3
1.5	1.1		6A		2.2	1.8
2	1.5		8A	J FAST-ACTING	2.0	1.6
3	2.2		10A		3.4	2.8
5	4		20A	RK1 FAST-ACTING	5.5	4.9
7.5	5.5		25A		7.2	6.0
10	7.5		30A		9.8	9.4

ARMSTRONG DISCONNECT SWITCH AND FUSE RATING - 3PH 575-600V INPUT POWER FOR USE WITH DESIGN ENVELOPE PERMANENT MAGNET MOTORS - DEPM2 MOTORS

RATED POWER		DISCONNECT SWITCH RATING	FUSE RATING	FUSE CLASS TYPES	MAXIMUM DRIVER INPUT CURRENT (A)	
HP	KW				575 VAC	600 VAC
1	0.75	30A	5A	CC FAST-ACTING	1.6	1.5
1.5	1.1		6A		2.1	2.0
2	1.5		6A		2.6	2.6
3	2.2		6A		3.5	3.2
5	4		15A		5.7	5.3
7.5	5.5		15A		7.5	7.4
10	7.5		30A		10.8	10.1

All cabling and must comply with national and local regulations on cable cross-sections and ambient temperature

TORONTO

23 BERTRAND AVENUE,
TORONTO, ONTARIO,
CANADA, M1L 2P3
+1 416 755 2291

BUFFALO

93 EAST AVENUE, NORTH
TONAWANDA, NEW YORK,
U.S.A., 14120-6594
+1 716 693 8813

DROITWICH SPA

POINTON WAY, STONEBRIDGE CROSS
BUSINESS PARK, DROITWICH SPA,
WORCESTERSHIRE,
UNITED KINGDOM, WR9 0LW
+44 121 550 5333

MANCHESTER

WOLVERTON STREET, MANCHESTER
UNITED KINGDOM, M11 2ET
+44 161 223 2223

BANGALORE

#18, LEWIS WORKSPACE, 3RD FLOOR,
OFF MILLERS - NANDIDURGA ROAD,
JAYAMAHAL CBD, BENSON TOWN,
BANGALORE, INDIA 560 046
+91 80 4906 3555

SHANGHAI

UNIT 903, 888 NORTH SICHUAN RD.
HONGKOU DISTRICT, SHANGHAI
CHINA, 200085
+86 21 5237 0909

BEIJING

ROOM 1612, NANYIN BUILDING NO.2
NORTH EAST THRID RING ROAD
CHAOYANG DISTRICT, BEIJING,
CHINA 100027
+86 21 5237 0909

SÃO PAULO

RUA JOSÉ SEMIÃO RODRIGUES
AGOSTINHO, 1370 GALPÃO 6 EMBU
DAS ARTES, SAO PAULO, BRAZIL
+55 11 4785 1330

LYON

93 RUE DE LA VILLETTE
LYON, 69003 FRANCE
+33 4 26 83 78 74

DUBAI

JAFZA VIEW 19, OFFICE 402
P.O.BOX 18226 JAFZA,
DUBAI - UNITED ARAB EMIRATES
+971 4 887 6775

MANNHEIM

DYNAMOSTRASSE 13
68165 MANNHEIM
GERMANY
+49 621 3999 9858

JIMBOLIA

STR CALEA MOTILOR NR. 2C
JIMBOLIA 305400, JUD.TIMIS
ROMANIA
+40 256 360 030

ARMSTRONG FLUID TECHNOLOGY®
ESTABLISHED 1934

ARMSTRONGFLUIDTECHNOLOGY.COM