

## SERIES 1050 | IN-LINE CIRCULATORS 1B AND 1.25B | SUBMITTAL

File No: 10.52  
 Date: MARCH 03, 2017  
 Supersedes: 10.52  
 Date: DECEMBER 16, 1991

Job: \_\_\_\_\_ Representative: \_\_\_\_\_  
 \_\_\_\_\_ Order no.: \_\_\_\_\_ Date: \_\_\_\_\_  
 Engineer: \_\_\_\_\_ Submitted by: \_\_\_\_\_ Date: \_\_\_\_\_  
 Contractor: \_\_\_\_\_ Approved by: \_\_\_\_\_ Date: \_\_\_\_\_

### PUMP DESIGN DATA

Pump model: \_\_\_\_\_ Flange size: \_\_\_\_\_  
 No. of pumps: \_\_\_\_\_ Note: \_\_\_\_\_  
 Capacity: \_\_\_\_\_ USgpm (L/s) Temperature: \_\_\_\_\_ °F (°C)  
 Head: \_\_\_\_\_ ft (m) Liquid: \_\_\_\_\_

Companion flanges: Included

All Bronze Circulators are NSF - 372 rated

### MAXIMUM PUMP OPERATING CONDITIONS

175 psig at 225°F (1208 kPa at 107°C)

### MOTOR DESIGN DATA

HP: \_\_\_\_\_ kW: \_\_\_\_\_ RPM: 1750  
 Frame size: \_\_\_\_\_ Enclosure: \_\_\_\_\_  
 Volts: \_\_\_\_\_ Hertz: \_\_\_\_\_ Phase: \_\_\_\_\_

### OPTIONAL EQUIPMENT

See performance curves on page 3.

### MATERIALS OF CONSTRUCTION

PART NAME	BRONZE FITTED	LEAD FREE BRONZE
Pump body	Cast iron	Lead free bronze

**Impeller:** Non-ferrous

**Shaft:** Alloy steel-copper sleeve

**Stationary seal face:** ARMSeal ceramic

**Coupler:** Flexible, spacer type

**Bearings:** Sleeve-oil lubricated

**Seal:** Mechanical

**Motor:** 1800 RPM - resilient mount

**Single phase** - ¼ and ½ HP - resilient mount

**Single or Three phase** - ½ and 1 HP - resilient mounted

**Three phase** - ¼ and ½ HP - rigid mount

**PUMP AND MOTOR DATA**

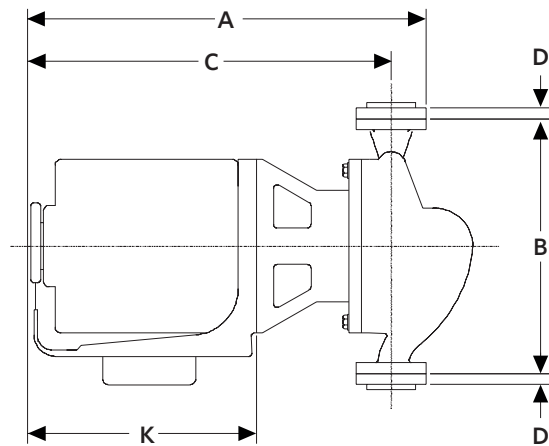
PUMP SIZE	MOTOR	DIMENSIONS INCHES (mm)			SHIPPING WEIGHT
	HP	A	C	K	lbs (kg)
1B	¼	17.25 (438)	13.50 (343)	7.38 (187)	48 (22)
	⅓	17.25 (438)	13.50 (343)	7.38 (187)	48 (22)
1.25B	¼	17.25 (438)	13.50 (343)	7.38 (187)	48 (22)
	⅓	17.25 (438)	13.50 (343)	7.38 (187)	48 (22)
	½	19.75 (502)	16.00 (406)	9.88 (251)	58 (26)

**PUMP BODY DIMENSIONS**

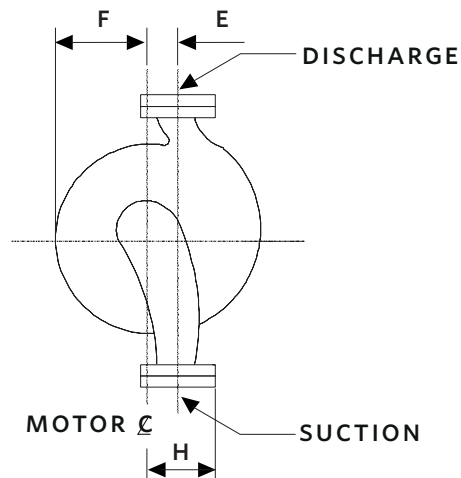
PUMP SIZE	FLANGE SIZE	DIMENSIONS INCHES (mm)				
		B	D	E	F	H
1B	1	11.50 (292)	0.75 (19)	1.38 (35)	3.75 (95)	4.13 (105)
1.25B	1.25	11.50 (292)	0.87 (22)	1.38 (35)	3.75 (95)	4.13 (105)

**NOTE:**

- Dimensions shown are for reference only.
- Rotation viewed from motor end is clockwise.
- Tapped openings are provided in the pump body for venting and gauge connections.

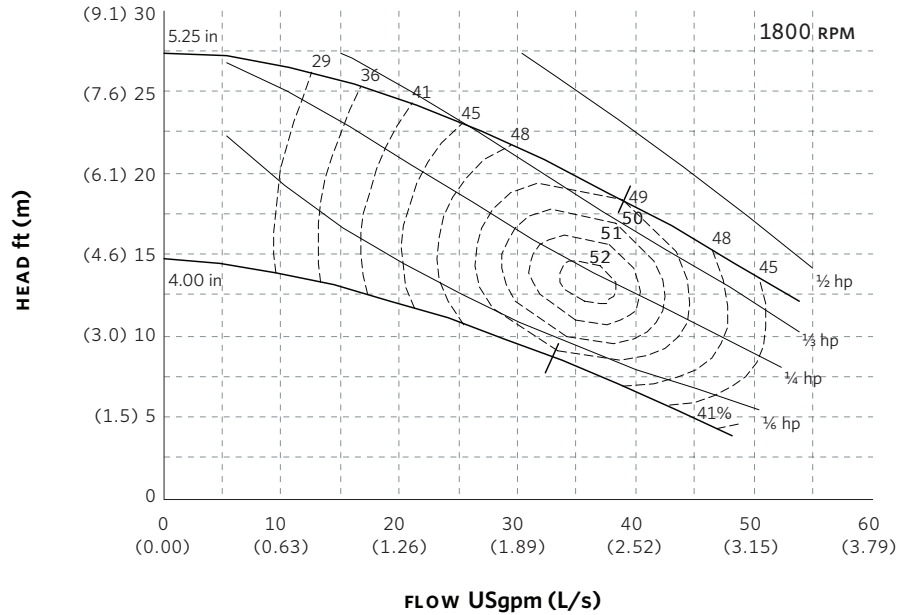
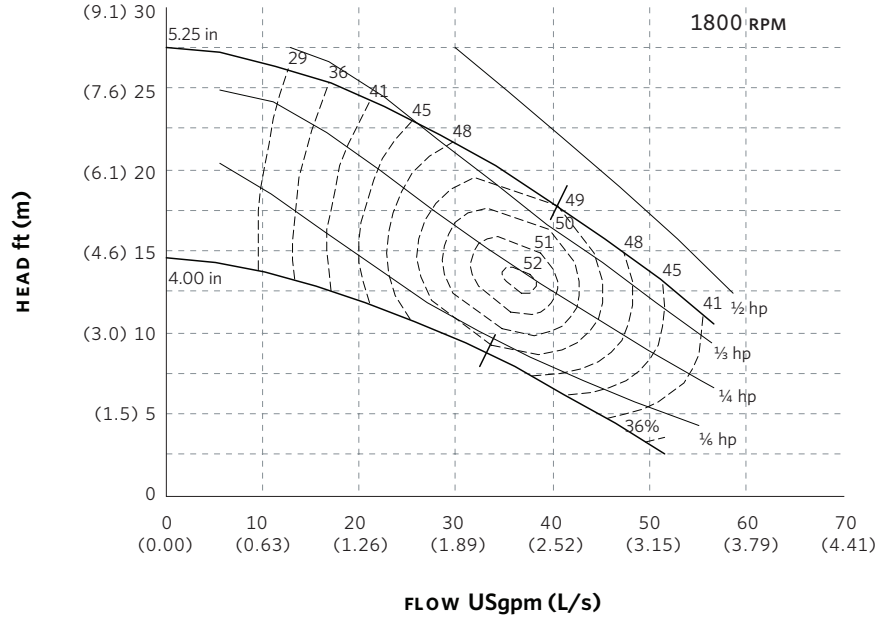


**RESILIENT MOUNT**



**END VIEW**

## SERIES 1050 PERFORMANCE CURVES



Performance curves are for reference only.  
Confirm current performance data with Armstrong ACE ONLINE selection software.

**TORONTO**

23 BERTRAND AVENUE  
TORONTO, ONTARIO  
CANADA  
M1L 2P3  
+1 416 755 2291

**BUFFALO**

93 EAST AVENUE  
NORTH TONAWANDA, NEW YORK  
U.S.A.  
14120-6594  
+1 716 693 8813

**BIRMINGHAM**

HEYWOOD WHARF, MUCKLOW HILL  
HALESOWEN, WEST MIDLANDS  
UNITED KINGDOM  
B62 8DJ  
+44 (0) 8444 145 145

**MANCHESTER**

WOLVERTON STREET  
MANCHESTER  
UNITED KINGDOM  
M11 2ET  
+44 (0) 8444 145 145

**BANGALORE**

#59, FIRST FLOOR, 3RD MAIN  
MARGOSA ROAD, MALLESWARAM  
BANGALORE, INDIA  
560 003  
+91 (0) 80 4906 3555

**SHANGHAI**

NO. 1619 HU HANG ROAD, XI DU TOWNSHIP  
FENG XIAN DISTRICT, SHANGHAI  
P.R.C.  
201401  
+86 21 3756 6696

**SÃO PAULO**

RUA JOSÉ SEMIÃO RODRIGUES AGOSTINHO,  
1370 GALPÃO 6  
EMBU DAS ARTES  
SAO PAULO, BRAZIL  
+55 11 4781 5500

ARMSTRONG FLUID TECHNOLOGY  
ESTABLISHED 1934

ARMSTRONGFLUIDTECHNOLOGY.COM

MAKING  
ENERGY  
MAKE  
SENSE™