

## SERIES 1060 | IN-LINE CIRCULATORS 1.5D AND 2D | SUBMITTAL

File No: 10.54  
 Date: JANUARY 31, 2022  
 Supersedes: 10.54  
 Date: MARCH 07, 2017

Job: \_\_\_\_\_ Representative: \_\_\_\_\_  
 \_\_\_\_\_ Order no.: \_\_\_\_\_ Date: \_\_\_\_\_  
 Engineer: \_\_\_\_\_ Submitted by: \_\_\_\_\_ Date: \_\_\_\_\_  
 Contractor: \_\_\_\_\_ Approved by: \_\_\_\_\_ Date: \_\_\_\_\_

### PUMP DESIGN DATA

Pump model: \_\_\_\_\_ Flange size: \_\_\_\_\_  
 No. of pumps: \_\_\_\_\_ Note: \_\_\_\_\_  
 Capacity: \_\_\_\_\_ USgpm (L/s) Temperature: \_\_\_\_\_ °F (°C)  
 Head: \_\_\_\_\_ ft (m) Liquid: \_\_\_\_\_  
 Companion flanges: Included  
 All Bronze Circulators are NSF - 372 rated

### MAXIMUM PUMP OPERATING CONDITIONS

175 psig at 225°F (1208 kPa at 107°C)

### OPTIONAL EQUIPMENT

### MOTOR DESIGN DATA

HP: \_\_\_\_\_ kW: \_\_\_\_\_ RPM: 1750  
 Frame size: \_\_\_\_\_ Enclosure: \_\_\_\_\_  
 Volts: \_\_\_\_\_ Hertz: \_\_\_\_\_ Phase: \_\_\_\_\_

### MATERIALS OF CONSTRUCTION

PART NAME	BRONZE FITTED	LEAD FREE BRONZE
Pump body	Cast iron	Lead free bronze
Impeller	Bronze	Lead free bronze

**Bearings:** Sleeve-oil lubricated

**Seal:** Mechanical

**Shaft:** Alloy steel-copper sleeve

**Motor:** 1800 RPM

**Stationary seal face:** ARMSEAL ceramic

SINGLE OR THREE PHASE THRU 1 HP - resilient mount

**Coupler:** Flexible, spacer type

SINGLE OR THREE PHASE 1.5 HP - rigid mount

THREE PHASE 2 HP AND ABOVE- rigid mount

### PUMP BODY DIMENSIONS

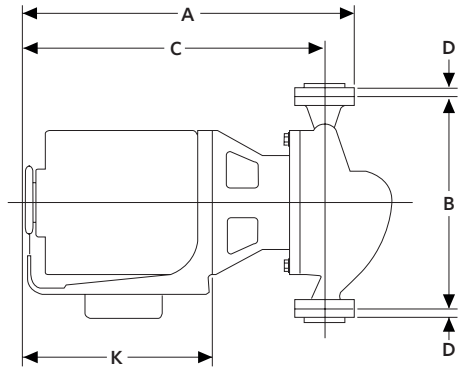
PUMP SIZE	FLANGE SIZE	DIMENSIONS INCHES (mm)				
		B	D	E	F	H
1.5D	1.5	13.50 (343)	0.88 (22)	1.00 (25)	4.63 (117)	4.88 (124)
2D	2	14.00 (356)	0.88 (22)	1.00 (25)	4.75 (121)	5.13 (130)

**PUMP AND MOTOR DATA**

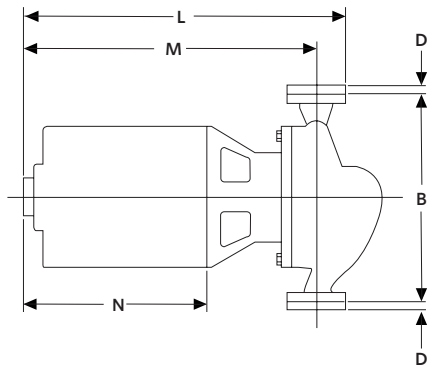
PUMP SIZE	MOTOR HP	DIMENSIONS INCHES (mm)						SHIPPING WEIGHT lbs (kg)
		RESILIENT MOUNT			RIGID MOUNT			
		A	C	K	L	M	N	
1.5D	0.5	22.00 (559)	18.75 (476)	9.88 (251)	-	-	-	86 (39.0)
	0.75	23.00 (584)	19.75 (502)	10.38 (264)	-	-	-	82 (37.2)
	1	23.50 (597)	20.25 (514)	10.88 (276)	-	-	-	92 (41.7)
	1.5	-	-	-	21.50 (546)	18.25 (464)	8.88 (225)	115 (52.2)
2D	0.5	22.75 (578)	19.25 (489)	9.88 (251)	-	-	-	90 (40.8)
	0.75	23.75 (603)	19.75 (502)	10.38 (264)	-	-	-	96 (43.5)
	1	23.75 (603)	20.25 (514)	10.88 (276)	-	-	-	100 (45.4)
	1.5	-	-	-	21.75 (552)	18.25 (464)	8.88 (225)	120 (54.4)
	2	-	-	-	22.75 (578)	19.25 (489)	9.88 (251)	124 (56.2)

**NOTE:**

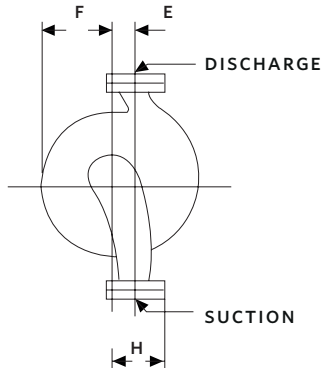
- Dimensions shown are for reference only.
- Rotation viewed from motor end is clockwise.
- Tapped openings are provided in the pump body for venting and gauge connections.



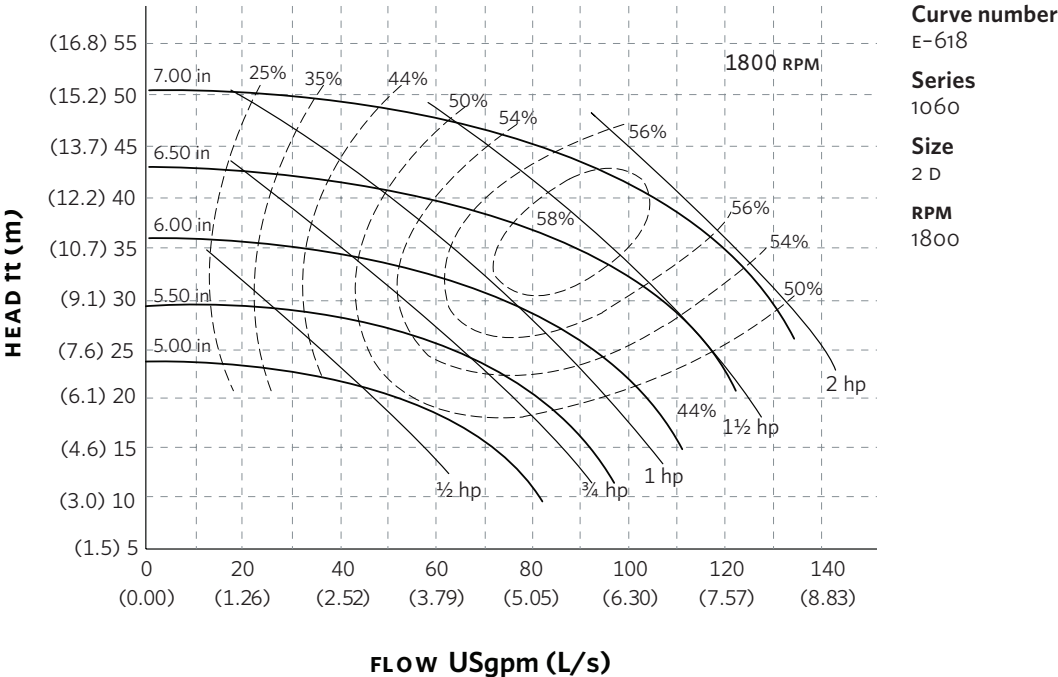
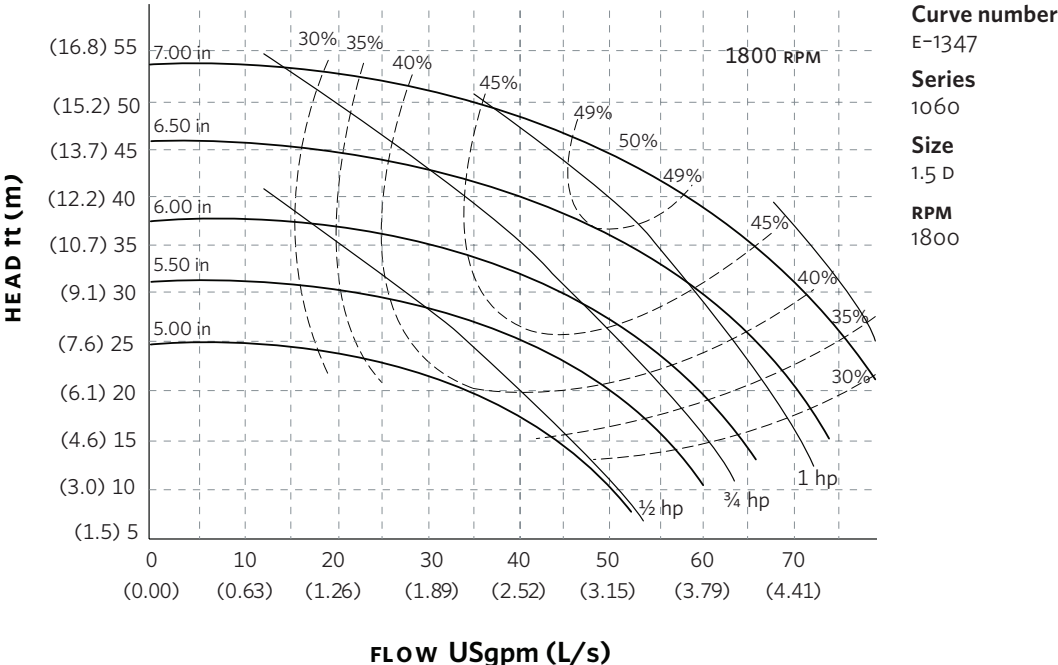
**RESILIENT MOUNT**



**RIGID MOUNT**



**SERIES 1060 PERFORMANCE CURVES**



Performance curves are for reference only.  
Confirm current performance data with Armstrong ACE ONLINE selection software.

**TORONTO**

23 BERTRAND AVENUE  
TORONTO, ONTARIO  
CANADA, M1L 2P3  
+1 416 755 2291

**BUFFALO**

93 EAST AVENUE  
NORTH TONAWANDA, NEW YORK  
U.S.A., 14120-6594  
+1 716 693 8813

**DROITWICH SPA**

POINTON WAY,  
STONEBRIDGE CROSS BUSINESS PARK  
DROITWICH SPA, WORCESTERSHIRE  
UNITED KINGDOM, WR9 0LW  
+44 8444 145 145

**MANCHESTER**

WOLVERTON STREET  
MANCHESTER  
UNITED KINGDOM, M11 2ET  
+44 8444 145 145

**BANGALORE**

#59, FIRST FLOOR, 3RD MAIN  
MARGOSA ROAD, MALLESWARAM  
BANGALORE, INDIA, 560 003  
+91 80 4906 3555

**SHANGHAI**

UNIT 903, 888 NORTH SICHUAN RD.  
HONGKOU DISTRICT, SHANGHAI  
CHINA, 200085  
+86 21 5237 0909

**SÃO PAULO**

RUA JOSÉ SEMIÃO RODRIGUES AGOSTINHO,  
1370 GALPÃO 6 EMBU DAS ARTES  
SAO PAULO, BRAZIL  
+55 11 4785 1330

**LYON**

93 RUE DE LA VILLETTE  
LYON, 69003 FRANCE  
+33 4 26 83 78 74

**DUBAI**

JAFZA VIEW 19, OFFICE 402  
P.O.BOX 18226 JAFZA,  
DUBAI - UNITED ARAB EMIRATES  
+971 4 887 6775

**MANNHEIM**

DYNAMOSTRASSE 13  
68165 MANNHEIM  
GERMANY  
+49 621 3999 9858

**JIMBOLIA**

STR CALEA MOTILOR NR. 2C  
JIMBOLIA 305400, JUD.TIMIS  
ROMANIA  
+40 256 360 030

ARMSTRONG FLUID TECHNOLOGY  
ESTABLISHED 1934

ARMSTRONGFLUIDTECHNOLOGY.COM