

# SERIES 4280 | END SUCTION BASE MOUNTED SPLIT COUPLED | 40-200A (2x1.5x8) | SUBMITTAL

File No: 42.595L  
Date: MARCH 24, 2014  
Supersedes: NEW  
Date: NEW

Job: \_\_\_\_\_ Representative: \_\_\_\_\_  
 \_\_\_\_\_ Order no.: \_\_\_\_\_ Date: \_\_\_\_\_  
 Engineer: \_\_\_\_\_ Submitted by: \_\_\_\_\_ Date: \_\_\_\_\_  
 Contractor: \_\_\_\_\_ Approved by: \_\_\_\_\_ Date: \_\_\_\_\_

## PUMP DESIGN DATA

No. of pumps: \_\_\_\_\_ Tag: \_\_\_\_\_  
 Capacity: \_\_\_\_\_ m<sup>3</sup>/h (USgpm) Head: \_\_\_\_\_ m (ft)  
 Liquid: \_\_\_\_\_ Viscosity: \_\_\_\_\_  
 Temperature: \_\_\_\_\_ °C (°F) Specific gravity: \_\_\_\_\_  
 Suction: 50mm (2") Flanged  
 Discharge: 38mm (1.5") Flanged

## MATERIALS OF CONSTRUCTION

FLANGE RATING	PN 16	PN 25
Construction	<input type="checkbox"/> BF	<input type="checkbox"/> DBF
Casing	Cast iron	Ductile iron
Adapter	Cast iron	Ductile iron

**Impeller:** Bronze  
**Gasket:** Confined non-asbestos fiber  
**Bearing frame:** Cast iron  
**Shaft:** Carbon steel  
**Shaft sleeve:** Bronze

## MECHANICAL SEAL DATA

**Seal type:** 2A      **Stationary seat:** Silicone carbide  
**Secondary seal:** EPDM      **Rotating hardware:** Stainless steel  
**Spring:** Stainless steel

FLUID TYPE	ALL GLYCOLS > 30% WT CONC		ALL OTHER NON-POTABLE FLUIDS		POTABLE (DRINKING) WATER	
	up to 93°C (200°F)	over 93°C (200°F)	up to 93°C (200°F)	over 93°C (200°F)	up to 93°C (200°F)	over 93°C (200°F)
Temperature	up to 93°C (200°F)	over 93°C (200°F)	up to 93°C (200°F)	over 93°C (200°F)	up to 93°C (200°F)	over 93°C (200°F)
Rotating face	Silicone carbide		Resin bonded carbon	Antimony loaded carbon	Resin bonded carbon	
Seat elastomer	EPDM (L-cup)	EPDM (O-ring)	EPDM (L-cup)	EPDM (O-ring)	EPDM (L-cup)	EPDM (O-ring)
Material code	SCSC L EPSS 2A	SCSC O EPSS 2A	C-SC L EPSS 2A	ACSC O EPSS 2A	C-SC L EPSS 2A	C-SC O EPSS 2A

## MOTOR DESIGN DATA

kW: \_\_\_\_\_ RPM: \_\_\_\_\_ Frame size: \_\_\_\_\_ Enclosure: \_\_\_\_\_  
 Volts: \_\_\_\_\_ Hertz: 50 Hz      Phase: 3  
 Efficiency:  IE1 (NON-EU only)     IE2     IE3

## MAXIMUM PUMP OPERATING CONDITIONS

### PN 16

16 bars at 121°C (232 psig at 250°F)

### PN 25

20 bars at 121°C (300 psig at 250°F)

- Tolerance of ±0.125" (±3 mm) should be used
- See performance curves on page 3
- For exact installation, data please write factory for certified dimensions
- Pump equipped with casing drain plug and ¼" NPT suction and discharge gauge ports

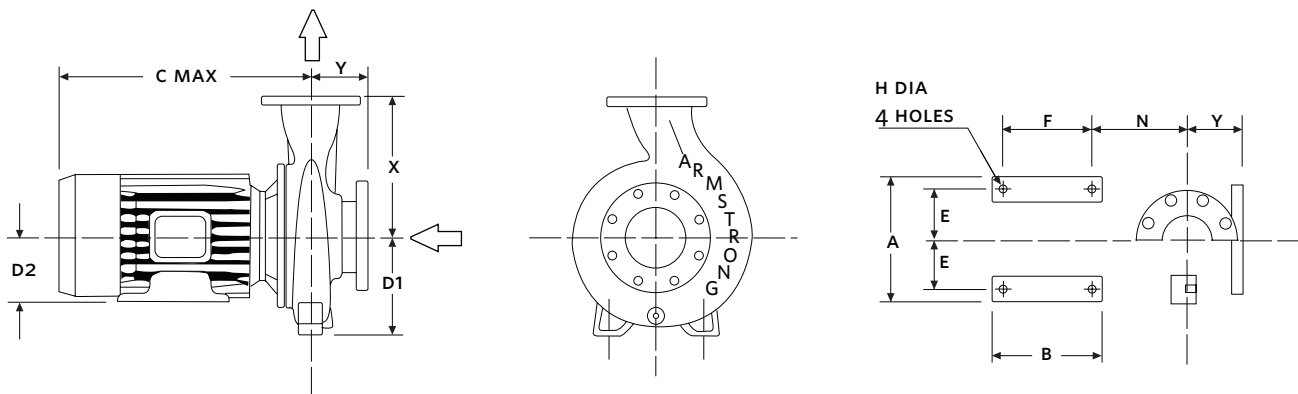
## OPTIONAL EQUIPMENT

MOTOR	HORSEPOWER @ kW		FULL LOAD CURRENT (A)	STARTING CURRENT (A)		MAX. DIMENSIONS mm (INCHES)							MAX. ASSEMBLY WEIGHT*	
	3000	1500		STAR DELTA (SD)	DIRECT ON LINE (DOL)	A	B	C MAX	D1	D2	E	F		N
80	—	0.55	1.3	—	5.5	165 (6.49)	162 (6.38)	412 (16.24)	168 (6.61)	168 (6.61)	125 (4.92)	141 (5.55)	175 (6.89)	59.5 (131)
80	—	0.75	1.68	—	7.4	165 (6.49)	162 (6.38)	412 (16.24)	168 (6.61)	168 (6.61)	125 (4.92)	141 (5.55)	175 (6.89)	62.5 (138)
90%	—	1.1	2.47	—	12.6	200 (7.87)	187 (7.36)	363 (14.31)	168 (6.61)	168 (6.61)	140 (5.51)	166 (6.54)	156 (6.14)	68.0 (150)
90L	—	1.5	3.33	—	18.6	200 (7.87)	187 (7.36)	410 (16.16)	168 (6.61)	168 (6.61)	140 (5.51)	166 (6.54)	181 (7.12)	71.0 (157)
100L	—	2.2	4.8	—	26.5	220 (8.66)	220 (8.66)	435 (17.14)	168 (6.61)	168 (6.61)	160 (6.30)	190 (7.48)	183 (7.22)	79.5 (175)
112M	4	—	8.0	22.4	62.4	260 (10.24)	220 (8.66)	479 (18.87)	168 (6.61)	168 (6.61)	190 (7.48)	190 (7.48)	190 (7.50)	87.0 (192)
132S	5.5	—	10.8	25.9	88.6	291 (11.45)	300 (11.81)	589 (23.20)	168 (6.61)	168 (6.61)	216 (8.50)	250 (9.84)	236 (9.30)	109.0 (240)
132S	7.5	—	14.5	36.3	118.9	291 (11.45)	300 (11.81)	589 (23.20)	168 (6.61)	168 (6.61)	216 (8.50)	250 (9.84)	236 (9.30)	112.0 (247)
160M	11	—	21.1	52.75	164.58	334 (13.15)	364 (14.33)	695 (27.34)	183 (7.20)	183 (7.20)	254 (10.00)	332 (13.07)	295 (11.60)	153.0 (337)
160M	15	—	28.5	74.1	228	334 (13.15)	364 (14.33)	695 (27.34)	183 (7.20)	183 (7.20)	254 (10.00)	332 (13.07)	295 (11.60)	161.0 (355)

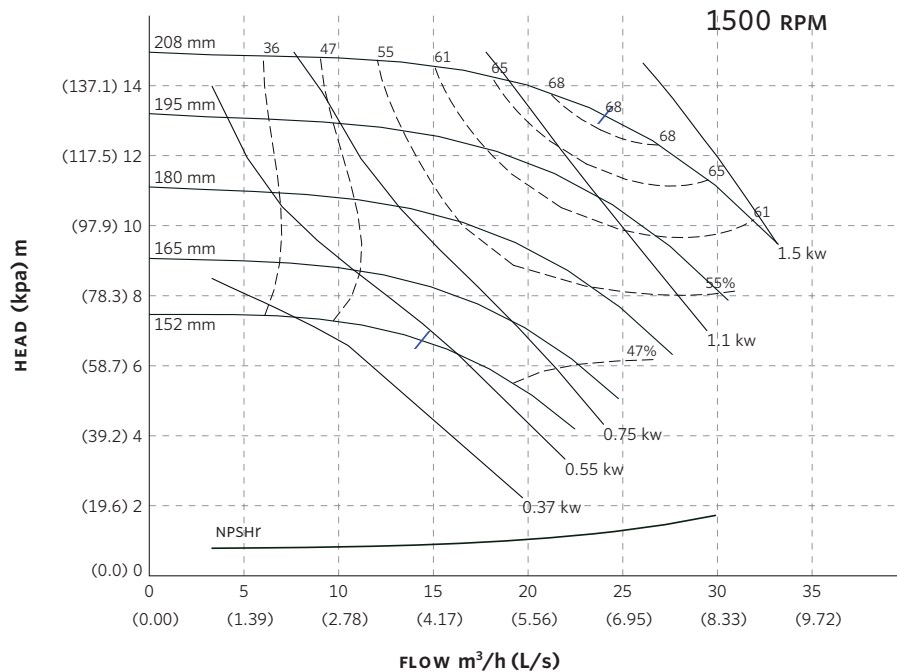
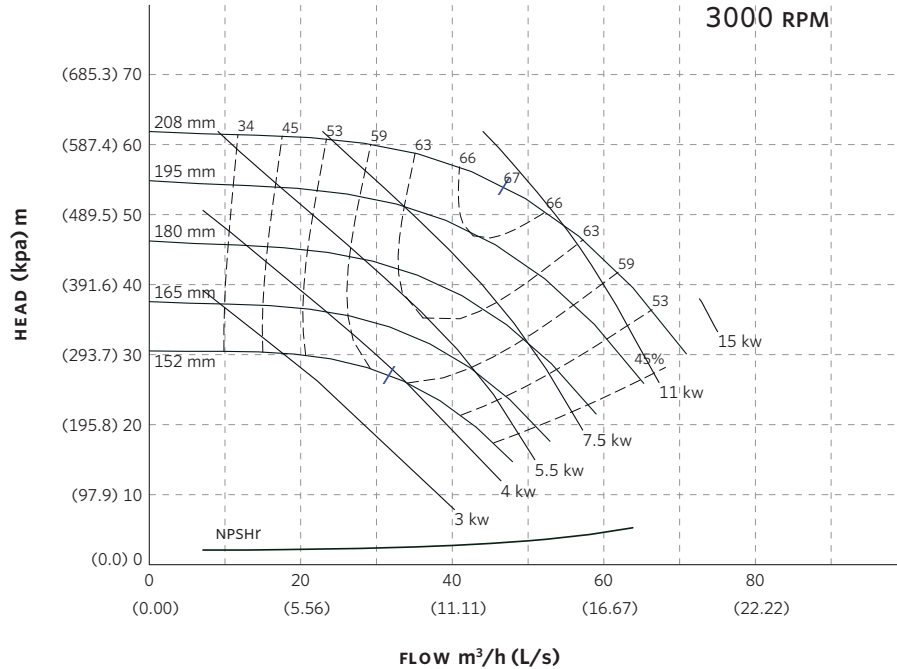
**PUMP DIMENSIONS**  
mm (inches)

G	I	X
102 (4.01)	178 (7.01)	216 (8.50)

\*Assembly weight combines pump and motor.



## SERIES 4280 PERFORMANCE CURVES



Performance curves are for reference only.  
Confirm current performance data with Armstrong ACE Online selection software.

**TORONTO**

23 BERTRAND AVENUE  
TORONTO, ONTARIO  
CANADA  
M1L 2P3  
+1 416 755 2291

**BUFFALO**

93 EAST AVENUE  
NORTH TONAWANDA, NEW YORK  
U.S.A.  
14120-6594  
+1 716 693 8813

**BIRMINGHAM**

HEYWOOD WHARF, MUCKLOW HILL  
HALESOWEN, WEST MIDLANDS  
UNITED KINGDOM  
B62 8DJ  
+44 (0) 8444 145 145

**MANCHESTER**

WENLOCK WAY  
MANCHESTER  
UNITED KINGDOM  
M12 5JL  
+44 (0) 8444 145 145

**BANGALORE**

#59, FIRST FLOOR, 3RD MAIN  
MARGOSA ROAD, MALLESWARAM  
BANGALORE, INDIA  
560 003  
+91 (0) 80 4906 3555

**SHANGHAI**

NO. 1619 HU HANG ROAD, XI DU TOWNSHIP  
FENG XIAN DISTRICT, SHANGHAI  
P.R.C.  
201401  
+86 21 3756 6696

**MAKING  
ENERGY  
MAKE  
SENSE™**