

SERIES 4280 | END SUCTION BASE MOUNTED SPLIT COUPLED | 40-250A (2×1.5×10) | SUBMITTAL

File No: 42.665L
Date: MARCH 24, 2014
Supersedes: NEW
Date: NEW

Job: _____ Representative: _____

Order no.: _____ Date: _____

Engineer: _____ Submitted by: _____ Date: _____

Contractor: _____ Approved by: _____ Date: _____

PUMP DESIGN DATA

No. of pumps: _____ Tag: _____
Capacity: _____ m³/h (USgpm) Head: _____ m (ft)
Liquid: _____ Viscosity: _____
Temperature: _____ °C (°F) Specific gravity: _____
Suction: 50mm (2") Flanged
Discharge: 38mm (1.5") Flanged

MATERIALS OF CONSTRUCTION

FLANGE RATING	PN 16	PN 25
Construction	<input type="checkbox"/> BF	<input type="checkbox"/> DBF
Casing	Cast iron	Ductile iron
Adapter	Cast iron	Ductile iron

Impeller: Bronze

Gasket: Confined non-asbestos fiber

Bearing frame: Cast iron

Shaft: Carbon steel

Shaft sleeve: Bronze

MECHANICAL SEAL DATA

Seal type: 2A

Stationary seat: Silicone carbide

Secondary seal: EPDM

Rotating hardware: Stainless steel

Spring: Stainless steel

MOTOR DESIGN DATA

kW: _____ RPM: _____ Frame size: _____ Enclosure: _____
Volts: _____ Hertz: 50 Hz Phase: 3
Efficiency: IE1 (NON-EU only) IE2 IE3

MAXIMUM PUMP OPERATING CONDITIONS

PN 16

16 bars at 121°C (232 psig at 250°F)

PN 25

20 bars at 121°C (300 psig at 250°F)

- Tolerance of ±0.125" (±3 mm) should be used
- See performance curves on page 3
- For exact installation, data please write factory for certified dimensions
- Pump equipped with casing drain plug and ¼" NPT suction and discharge gauge ports

OPTIONAL EQUIPMENT

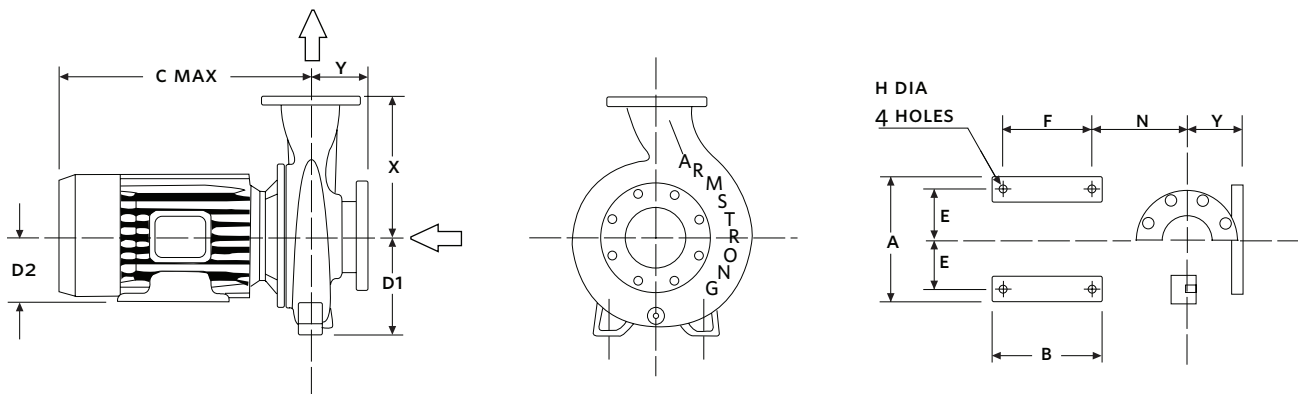
FLUID TYPE	ALL GLYCOLS > 30% WT CONC		ALL OTHER NON-POTABLE FLUIDS		POTABLE (DRINKING) WATER	
	up to 93°C (200°F)	over 93°C (200°F)	up to 93°C (200°F)	over 93°C (200°F)	up to 93°C (200°F)	over 93°C (200°F)
Temperature	up to 93°C (200°F)	over 93°C (200°F)	up to 93°C (200°F)	over 93°C (200°F)	up to 93°C (200°F)	over 93°C (200°F)
Rotating face	Silicone carbide		Resin bonded carbon	Antimony loaded carbon	Resin bonded carbon	
Seat elastomer	EPDM (L-cup)	EPDM (O-ring)	EPDM (L-cup)	EPDM (O-ring)	EPDM (L-cup)	EPDM (O-ring)
Material code	SCSC L EPSS 2A	SCSC O EPSS 2A	C-SC L EPSS 2A	ACSC O EPSS 2A	C-SC L EPSS 2A	C-SC O EPSS 2A

MOTOR	HORSEPOWER @ kW		FULL LOAD CURRENT (A)	STARTING CURRENT (A)		MAX. DIMENSIONS mm (INCHES)							MAX. ASSEMBLY WEIGHT*	
	3000	1500		STAR DELTA (SD)	DIRECT ON LINE (DOL)	A	B	C MAX	D1	D2	E	F		N
90S	—	1.1	2.5	—	12.6	190 (7.48)	187 (7.36)	365 (14.36)	210 (8.25)	210 (8.25)	140 (5.51)	166 (6.54)	157 (6.19)	81.0 (179)
90L	—	1.5	3.33	—	18.6	190 (7.48)	187 (7.36)	412 (16.21)	210 (8.25)	210 (8.25)	140 (5.51)	166 (6.54)	182 (7.18)	84.0 (185)
100L	—	2.2	4.82	—	26.5	220 (8.66)	220 (8.66)	437 (17.20)	210 (8.25)	210 (8.25)	160 (6.30)	190 (7.48)	185 (7.28)	92.5 (204)
100L	—	3	6.40	—	37.1	220 (8.66)	220 (8.66)	437 (17.20)	210 (8.25)	210 (8.25)	160 (6.30)	190 (7.48)	185 (7.28)	95.0 (209)
132S	7.5	—	14.5	36.3	118.9	286 (11.26)	255 (10.04)	599 (23.58)	210 (8.25)	210 (8.25)	216 (8.50)	225 (8.86)	239 (9.42)	125.0 (276)
160M	11	—	21.1	52.8	164.6	324 (12.76)	340 (13.39)	637 (25.07)	210 (8.25)	210 (8.25)	254 (10.00)	308 (12.13)	248 (9.76)	166.0 (366)
160M	15	—	28.5	74.1	228.0	324 (12.76)	340 (13.39)	637 (25.07)	210 (8.25)	210 (8.25)	254 (10.00)	308 (12.13)	248 (9.76)	174.0 (384)
160L	18.5	—	34.9	94.2	303.6	324 (12.76)	340 (13.39)	707 (27.83)	210 (8.25)	210 (8.25)	254 (10.00)	308 (12.13)	292 (11.49)	186.0 (410)
180M	22	—	40.9	114.52	368.1	369 (14.52)	340 (13.39)	775 (30.51)	234 (9.23)	234 (9.23)	279 (10.98)	310 (12.20)	366 (14.43)	226.0 (498)

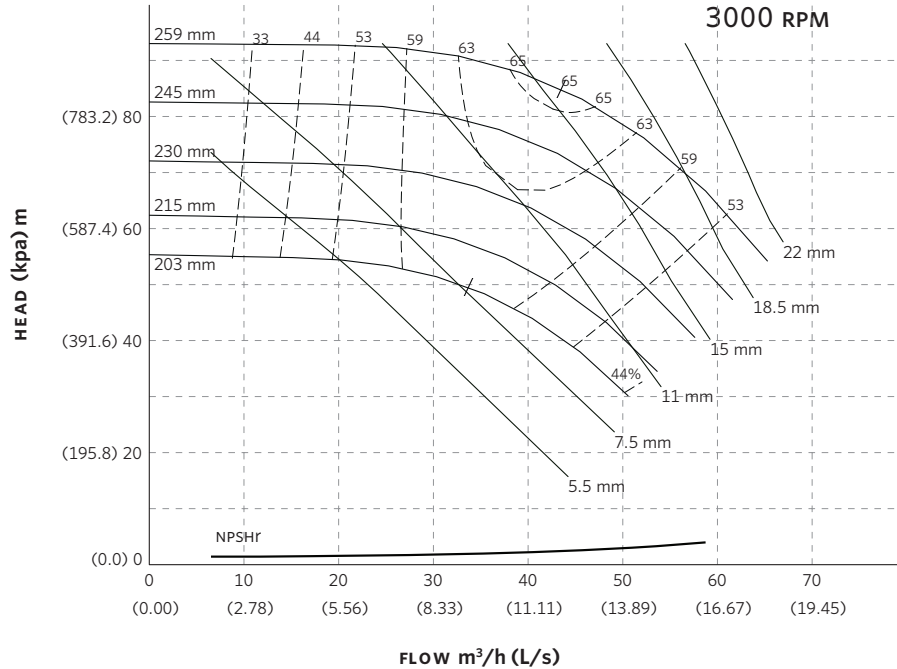
PUMP DIMENSIONS
mm (inches)

G	I	X
102 (4.01)	248 (9.76)	216 (8.50)

*Assembly weight combines pump and motor.



SERIES 4280 PERFORMANCE CURVES



Curve number
PT45-2-0-3000

Series
4030
4280

Size
40-250

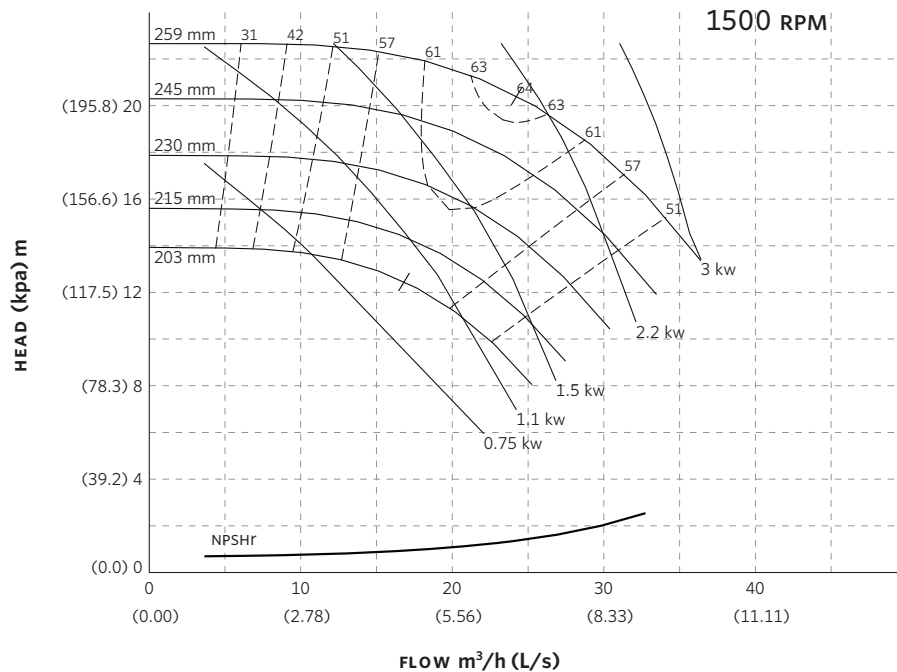
RPM
3000

BHP based on shown
Fluid's sp. gr.

Availability
4030 all ratings
4280 all ratings

Performance
guaranteed only
at operating point
indicated.

Curve shown for
clear, cold water
- SP. GR. 1.0000



Curve number
PT44-2-0-1500

Series
4030
4280

Size
40-250

RPM
1500

BHP based on shown
Fluid's sp. gr.

Availability
4030 all ratings
4280 all ratings.

Performance
guaranteed only
at operating point
indicated.

Curve shown for
clear, cold water
- SP. GR. 1.0000

Performance curves are for reference only.
Confirm current performance data with Armstrong ACE Online selection software.

TORONTO

23 BERTRAND AVENUE
TORONTO, ONTARIO
CANADA
M1L 2P3
+1 416 755 2291

BUFFALO

93 EAST AVENUE
NORTH TONAWANDA, NEW YORK
U.S.A.
14120-6594
+1 716 693 8813

BIRMINGHAM

HEYWOOD WHARF, MUCKLOW HILL
HALESOWEN, WEST MIDLANDS
UNITED KINGDOM
B62 8DJ
+44 (0) 8444 145 145

MANCHESTER

WENLOCK WAY
MANCHESTER
UNITED KINGDOM
M12 5JL
+44 (0) 8444 145 145

BANGALORE

#59, FIRST FLOOR, 3RD MAIN
MARGOSA ROAD, MALLESWARAM
BANGALORE, INDIA
560 003
+91 (0) 80 4906 3555

SHANGHAI

NO. 1619 HU HANG ROAD, XI DU TOWNSHIP
FENG XIAN DISTRICT, SHANGHAI
P.R.C.
201401
+86 21 3756 6696

**MAKING
ENERGY
MAKE
SENSE™**