

SERIES 4300 | VERTICAL IN-LINE

6×6×10 | SUBMITTAL

File No: 43-527
 Date: NOV. 26, 2014
 Supersedes: 43-527
 Date: APRIL 14, 2014

Job: _____ Representative: _____
 _____ Ordered by: _____ Date: _____
 Engineer: _____ Submitted by: _____ Date: _____
 Contractor: _____ Approved by: _____ Date: _____

PUMP DESIGN DATA

No. of pumps: _____ Tag: _____
 Capacity: _____ USgpm (L/s) Head: _____ ft (m)
 Liquid: _____ Viscosity: _____
 Temperature: _____ °F (°C) Specific gravity: _____
 Suction: 6" (150 MM) Discharge: 6" (150 MM)

MAXIMUM PUMP OPERATING CONDITIONS

ANSI 125

175 psig at 140°F (12 bars at 60°C)
 100 psig at 300°F (7 bars at 149°C)

ANSI 250

375 psig at 100°F (26 bars at 38°C)
 275 psig at 300°F (19 bars at 149°C)

- See file no. 43.50 for maximum seal operating conditions.
- Coupling guard (not shown) is supplied.
- Tolerance of ±0.125" (±3 mm) should be used
- For exact installation data please write factory for certified dimensions.
- See performance curves on page 3
- Pump equipped with casing drain plug and ¼" NPT suction and discharge gauge ports.

MATERIALS OF CONSTRUCTION

| ANSI FLANGE RATING | ANSI 125 | | | ANSI 250 | |
|--------------------|-----------------------------|-----------------------------|-----------------------------|------------------------------|-----------------------------|
| Construction | <input type="checkbox"/> BF | <input type="checkbox"/> AI | <input type="checkbox"/> AB | <input type="checkbox"/> DBF | <input type="checkbox"/> DI |
| Casing | Cast iron | Cast iron | Bronze | Ductile iron | Ductile iron |
| Impeller | Bronze | Cast iron | Bronze | Bronze | Cast iron |

Flush line: Braided stainless steel

Pump shaft: 416 stainless steel

Coupling: High tensile aluminum

Gasket: Confined fiber

MOTOR DESIGN DATA

HP: _____ RPM: _____
 Frame size: _____ Enclosure: _____
 Volts: _____ Hertz: 60 Hz
 Efficiency: NEMA premium 12.12 Other: _____ %
 Flange size: _____ Phase: _____

MECHANICAL SEAL DESIGN DATA

See file number 43.50 for standard mechanical seal details as indicated below

ARMSTRONG SEAL REFERENCE NUMBER:

c1 (a) Others: _____

SEAL DATA OPTIONS

OPTIONAL EQUIPMENT

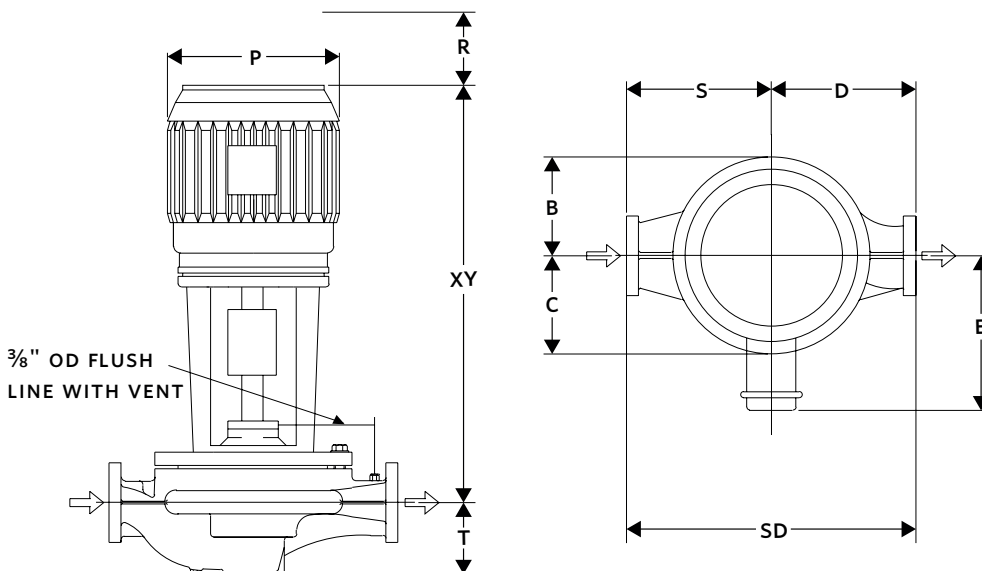
See file no. 43.50 for environmental accessories

| MOTOR FRAME | HORSEPOWER @ RPM | | | | | | DIMENSIONS INCHES (mm) | | | | WEIGHT* | |
|----------------|------------------|------|------|------|------|------|------------------------|-------------|------------|--------------|--------------|--------------|
| | ODP | | | TEFC | | | ODP/ TEFC | | | | ODP | TEFC |
| | 3600 | 1800 | 1200 | 3600 | 1800 | 1200 | E | P | R | XY | | |
| 182TC | — | — | — | — | 3 | — | 7.50 (191) | 10.38 (264) | 4.00 (90) | 26.63 (676) | — | 489 (221.8) |
| 184TC | — | — | 2 | — | — | 2 | 7.50 (191) | 10.38 (264) | 4.00 (90) | 26.63 (676) | 456 (206.8) | 483 (219.1) |
| 213TC | — | 7.5 | 3 | — | 7.5 | 3 | 8.25 (210) | 12.13 (308) | 4.00 (100) | 29.26 (743) | 505 (229.1) | 555 (251.7) |
| 215TC | — | 10 | 5 | — | 10 | 5 | 8.25 (210) | 12.13 (308) | 4.00 (100) | 29.26 (743) | 520 (235.9) | 562 (254.9) |
| 254TC | — | 15 | — | — | 15 | — | 9.94 (252) | 13.38 (340) | 5.00 (110) | 34.20 (869) | 647 (293.5) | 681 (308.9) |
| 256TC | — | 20 | — | — | 20 | — | 9.94 (252) | 13.38 (340) | 5.00 (110) | 34.20 (869) | 690 (313.0) | 714 (323.9) |
| 284TC | — | 25 | — | — | 25 | — | 7.50 (191) | 15.31 (389) | 5.00 (110) | 43.46 (1104) | 788 (357.4) | 891 (404.2) |
| 324TSC | 50 | — | — | — | — | — | 8.25 (210) | 17.00 (432) | 4.00 (110) | 44.39 (1127) | 970 (440.0) | — |
| 326TSC | 60 | — | — | 50 | — | — | 8.25 (210) | 17.00 (432) | 4.00 (110) | 44.39 (1127) | 1044 (473.6) | 1017 (461.3) |
| 364TSC | 75 | — | — | 60 | — | — | 7.50 (191) | 19.03 (483) | 4.00 (110) | 42.70 (1085) | 1225 (555.7) | 1412 (640.5) |
| 365TSC | 100 | — | — | 75 | — | — | 7.50 (191) | 19.03 (483) | 4.00 (110) | 42.70 (1085) | 1329 (602.8) | 1445 (655.4) |
| 404TSC | 125 | — | — | — | — | — | 8.25 (210) | 21.41 (544) | 5.00 (120) | 46.57 (1183) | 1475 (669.0) | — |
| 405TSC | 150 | — | — | 100 | — | — | 8.25 (210) | 21.41 (544) | 5.00 (120) | 46.57 (1183) | 1540 (698.5) | 1617 (733.5) |

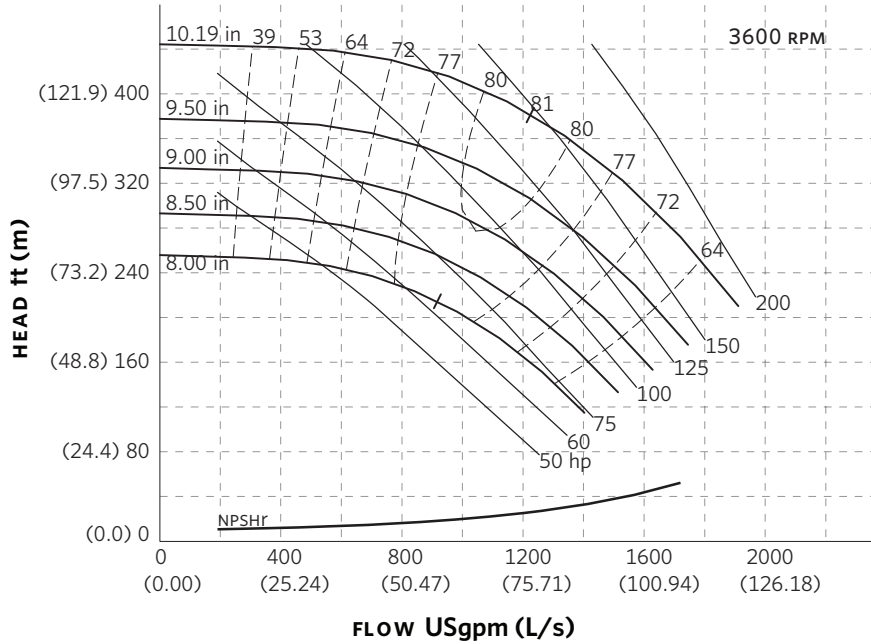
*Assembly weight combines pump and motor.

PUMP DIMENSIONS
inches (mm)

| B | C | D | S | SD | T |
|------------|------------|-------------|-------------|-------------|------------|
| 9.63 (245) | 7.63 (194) | 15.00 (381) | 17.00 (432) | 32.00 (813) | 8.75 (222) |



SERIES 4300 PERFORMANCE CURVES



Curve number
PT103-1-0-3600

Series
4300
4380

Size
6 × 6 × 10

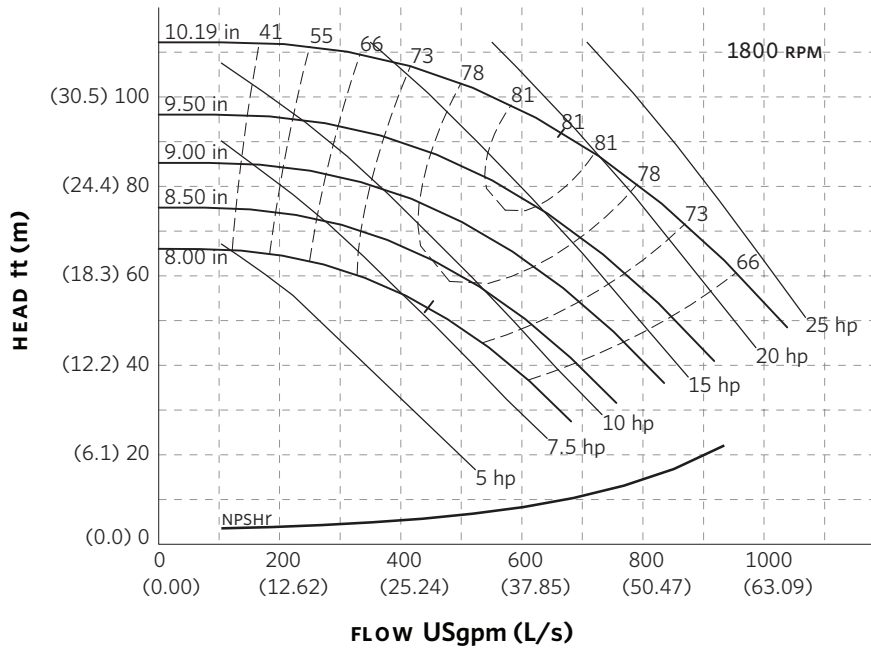
RPM
3600

BHP based on shown
Fluid's sp. gr.

Availability
4300 FR 405 Max.

Performance
guaranteed only
at operating point
indicated

Curve shown for
clear, cold water
- SP. GR. 1.000



Curve number
PT104-2-0-1800

Series
4300
4380

Size
6 × 6 × 10

RPM
1800

BHP based on shown
Fluid's sp. gr.

Availability
4300 all ratings
4380 all ratings

Performance
guaranteed only
at operating point
indicated

Curve shown for
clear, cold water
- SP. GR. 1.000

Performance curves are for reference only.

Confirm current performance data with Armstrong ACE Online selection software.

TORONTO

23 BERTRAND AVENUE
TORONTO, ONTARIO
CANADA
M1L 2P3
+1 416 755 2291

BUFFALO

93 EAST AVENUE
NORTH TONAWANDA, NEW YORK
U.S.A.
14120-6594
+1 716 693 8813

BIRMINGHAM

HEYWOOD WHARF, MUCKLOW HILL
HALESOWEN, WEST MIDLANDS
UNITED KINGDOM
B62 8DJ
+44 (0) 8444 145 145

MANCHESTER

WOLVERTON STREET
MANCHESTER
UNITED KINGDOM
M11 2ET
+44 (0) 8444 145 145

BANGALORE

#59, FIRST FLOOR, 3RD MAIN
MARGOSA ROAD, MALLESWARAM
BANGALORE, INDIA
560 003
+91 (0) 80 4906 3555

SHANGHAI

NO. 1619 HU HANG ROAD, XI DU TOWNSHIP
FENG XIAN DISTRICT, SHANGHAI
P.R.C.
201401
+86 21 3756 6696

**MAKING
ENERGY
MAKE
SENSE™**