

SERIES 4300 | VERTICAL IN-LINE

5×5×11.5 | SUBMITTAL

File No: 43-533
 Date: NOV. 26, 2014
 Supersedes: 43-533
 Date: APRIL 14, 2014

Job: _____ Representative: _____
 _____ Ordered by: _____ Date: _____
 Engineer: _____ Submitted by: _____ Date: _____
 Contractor: _____ Approved by: _____ Date: _____

PUMP DESIGN DATA

No. of pumps: _____ Tag: _____
 Capacity: _____ USgpm (L/s) Head: _____ ft (m)
 Liquid: _____ Viscosity: _____
 Temperature: _____ °F (°C) Specific gravity: _____
 Suction: 5" (125 MM) Discharge: 5" (125 MM)

MAXIMUM PUMP OPERATING CONDITIONS

ANSI 125

175 psig at 140°F (12 bars at 60°C)
 100 psig at 300°F (7 bars at 149°C)

ANSI 250

375 psig at 100°F (26 bars at 38°C)
 275 psig at 300°F (19 bars at 149°C)

- See file no. 43.50 for maximum seal operating conditions.
- Coupling guard (not shown) is supplied.
- Tolerance of ±0.125" (±3 mm) should be used
- For exact installation data please write factory for certified dimensions.
- See performance curves on page 3
- Pump equipped with casing drain plug and ¼" NPT suction and discharge gauge ports.

MATERIALS OF CONSTRUCTION

ANSI FLANGE RATING	ANSI 125			ANSI 250	
Construction	<input type="checkbox"/> BF	<input type="checkbox"/> AI	<input type="checkbox"/> AB	<input type="checkbox"/> DBF	<input type="checkbox"/> DI
Casing	Cast iron	Cast iron	Bronze	Ductile iron	Ductile iron
Impeller	Bronze	Cast iron	Bronze	Bronze	Cast iron

Flush line: Braided stainless steel

Pump shaft: 416 stainless steel

Coupling: High tensile aluminum

Gasket: Confined fiber

MOTOR DESIGN DATA

HP: _____ RPM: _____
 Frame size: _____ Enclosure: _____
 Volts: _____ Hertz: 60 Hz
 Efficiency: NEMA premium 12.12 Other: _____ %
 Flange size: _____ Phase: _____

MECHANICAL SEAL DESIGN DATA

See file number 43.50 for standard mechanical seal details as indicated below

ARMSTRONG SEAL REFERENCE NUMBER:

c1 (a) Others: _____

SEAL DATA OPTIONS

OPTIONAL EQUIPMENT

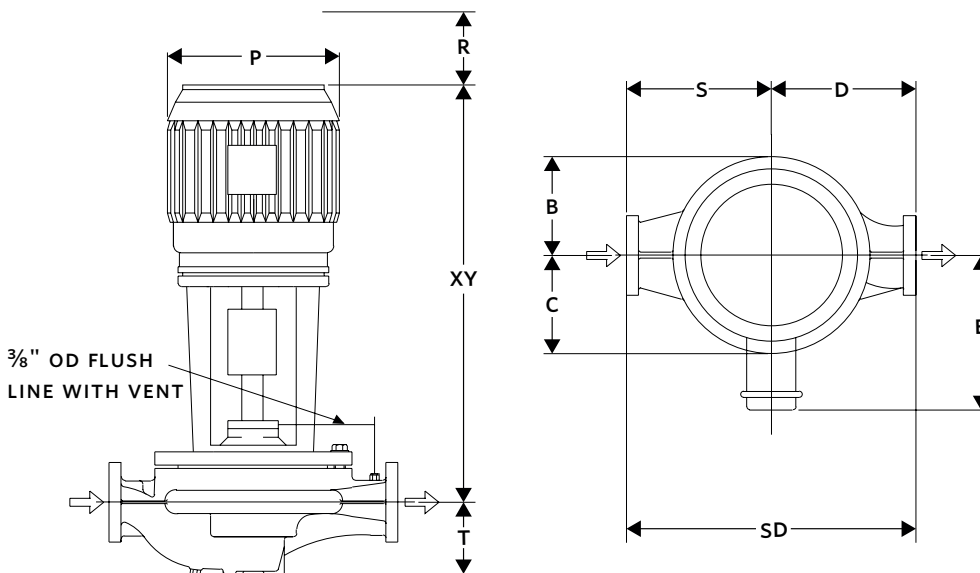
See file no. 43.50 for environmental accessories

MOTOR		DIMENSIONS INCHES (mm)								WEIGHT*	
FRAME	ODP		TEFC		ODP/ TEFC				lbs (kgs)		
	1800	1200	1800	1200	E	P	R	XY	ODP	TEFC	
213TC	—	3	—	3	8.25 (210)	11.25 (286)	4.00 (100)	29.22 (742)	473 (214.5)	536 (243.1)	
215TC	10	5	10	5	8.25 (210)	11.25 (286)	4.00 (100)	29.22 (742)	530 (240.4)	572 (259.5)	
254TC	15	7.5	15	7.5	8.90 (226)	13.38 (340)	5.00 (110)	34.16 (868)	657 (298.0)	691 (313.4)	
256TC	20	—	20	—	8.90 (226)	13.38 (340)	5.00 (110)	34.16 (868)	700 (317.5)	724 (328.4)	
284TC	25	—	25	—	12.00 (305)	15.31 (389)	5.00 (130)	43.48 (1104)	788 (357.4)	891 (404.2)	
286TC	30	—	30	—	12.00 (305)	15.31 (389)	5.00 (130)	43.48 (1104)	840 (381.0)	935 (424.1)	

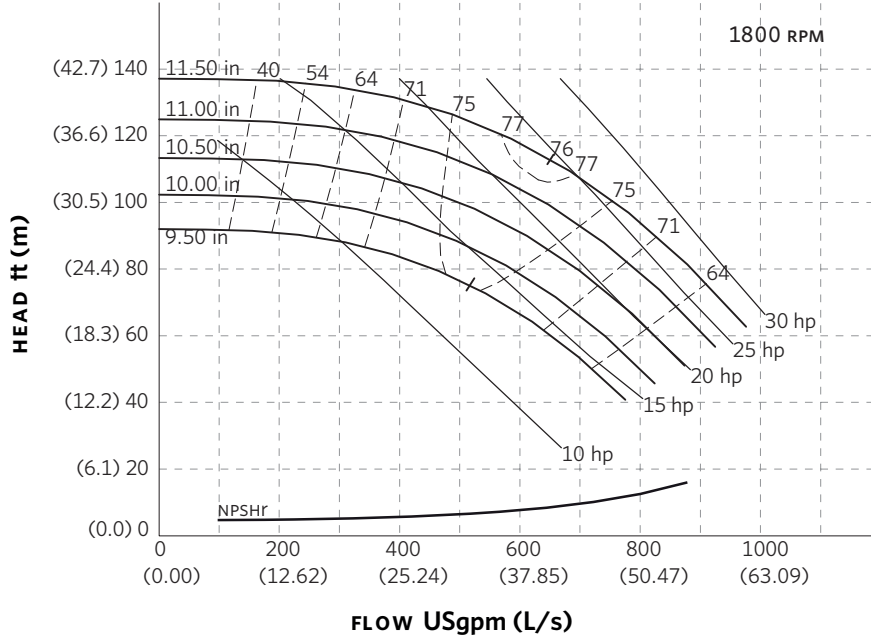
*Assembly weight combines pump and motor.

PUMP DIMENSIONS
inches (mm)

B	C	D	S	SD	T
9.09 (231)	8.09 (205)	13.75 (349)	17.25 (438)	31.00 (787)	8.88 (226)



SERIES 4300 PERFORMANCE CURVES



Curve number
PT94-2-0-1800

Series
4300
4380

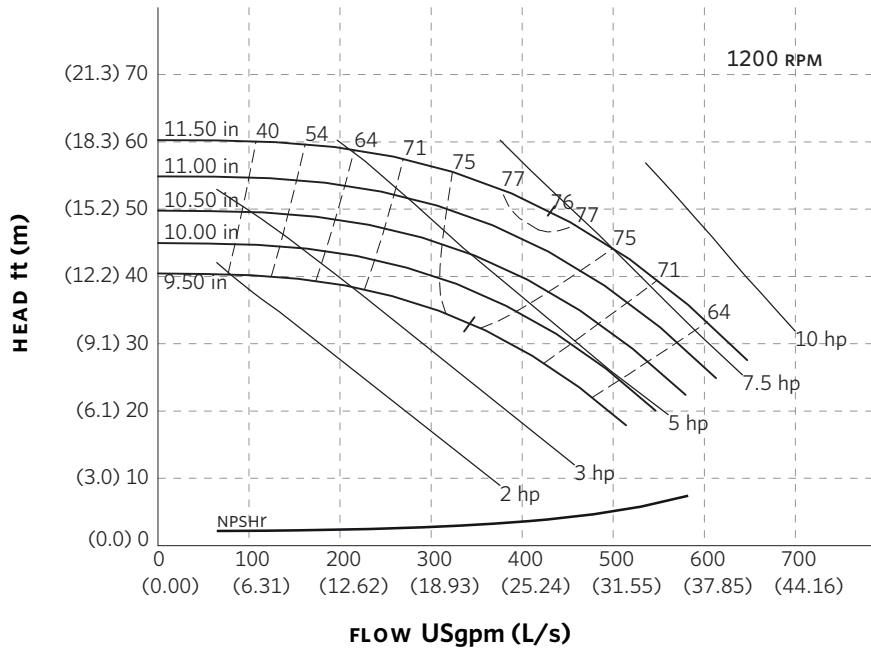
Size
5 × 5 × 11.5

RPM
1800

BHP based on shown
Fluid's sp. gr.

Availability
4300 all ratings
4380 all ratings
Performance
guaranteed only
at operating point
indicated

Curve shown for
clear, cold water
- SP. GR. 1.000



Curve number
PT94-2-0-1200

Series
4300
4380

Size
5 × 5 × 11.5

RPM
1200

BHP based on shown
Fluid's sp. gr.

Availability
4300 all ratings
4380 all ratings
Performance
guaranteed only
at operating point
indicated

Curve shown for
clear, cold water
- SP. GR. 1.000

Performance curves are for reference only.

Confirm current performance data with Armstrong ACE Online selection software.

TORONTO

23 BERTRAND AVENUE
TORONTO, ONTARIO
CANADA
M1L 2P3
+1 416 755 2291

BUFFALO

93 EAST AVENUE
NORTH TONAWANDA, NEW YORK
U.S.A.
14120-6594
+1 716 693 8813

BIRMINGHAM

HEYWOOD WHARF, MUCKLOW HILL
HALESOWEN, WEST MIDLANDS
UNITED KINGDOM
B62 8DJ
+44 (0) 8444 145 145

MANCHESTER

WOLVERTON STREET
MANCHESTER
UNITED KINGDOM
M11 2ET
+44 (0) 8444 145 145

BANGALORE

#59, FIRST FLOOR, 3RD MAIN
MARGOSA ROAD, MALLESWARAM
BANGALORE, INDIA
560 003
+91 (0) 80 4906 3555

SHANGHAI

NO. 1619 HU HANG ROAD, XI DU TOWNSHIP
FENG XIAN DISTRICT, SHANGHAI
P.R.C.
201401
+86 21 3756 6696

**MAKING
ENERGY
MAKE
SENSE™**