

# SERIES 4300 | VERTICAL IN-LINE |

## 3×3×6B | SUBMITTAL

File No: 43-570  
 Date: FEBRUARY 01, 2023  
 Supersedes: NEW  
 Date: NEW

Job: \_\_\_\_\_ Representative: \_\_\_\_\_  
 \_\_\_\_\_ Ordered by: \_\_\_\_\_ Date: \_\_\_\_\_  
 Engineer: \_\_\_\_\_ Submitted by: \_\_\_\_\_ Date: \_\_\_\_\_  
 Contractor: \_\_\_\_\_ Approved by: \_\_\_\_\_ Date: \_\_\_\_\_

### PUMP DESIGN DATA

No. of pumps: \_\_\_\_\_ Tag: \_\_\_\_\_  
 Capacity: \_\_\_\_\_ USgpm (L/s) Head: \_\_\_\_\_ ft (m)  
 Liquid: \_\_\_\_\_ Viscosity: \_\_\_\_\_  
 Temperature: \_\_\_\_\_ °F (°C) Specific gravity: \_\_\_\_\_  
 Suction: 3" (75 mm) Discharge: 3" (75 mm)

### MAXIMUM PUMP OPERATING CONDITIONS

#### ANSI 125

175 psig at 140°F (12 bars at 60°C)  
 100 psig at 300°F (7 bars at 149°C)

#### ANSI 250

375 psig at 100°F (26 bars at 38°C)  
 275 psig at 300°F (19 bars at 149°C)

- See file no. 43.50 for maximum seal operating conditions.
- Coupling guard (not shown) is supplied.
- Tolerance of ±0.125" (±3 mm) should be used
- For exact installation data please write factory for certified dimensions.
- See performance curves on page 3
- Pump equipped with casing drain plug and ¼" NPT suction and discharge gauge ports.

### MATERIALS OF CONSTRUCTION

ANSI FLANGE RATING	ANSI 125		ANSI 250	
Construction	<input type="checkbox"/> SF	<input type="checkbox"/> DF	<input type="checkbox"/> DSF	<input type="checkbox"/> DDF
Casing	E-coated Cast iron	E-coated Cast iron	E-coated Ductile iron	E-coated Ductile iron
Impeller	316 stainless steel	Duplex stainless steel fitted	316 stainless steel	Duplex stainless steel fitted

**Flush line:** Braided stainless steel

**Pump shaft:** 316 stainless steel

**Coupling:** High tensile aluminum

**Gasket:** Confined fiber

### MOTOR DESIGN DATA

HP: \_\_\_\_\_ RPM: \_\_\_\_\_  
 Frame size: \_\_\_\_\_ Enclosure: \_\_\_\_\_  
 Volts: \_\_\_\_\_ Hertz: 60 Hz  
 Efficiency:  NEMA premium 12.12  Other: \_\_\_\_\_ %  
 Flange size: \_\_\_\_\_ Phase: \_\_\_\_\_

### MECHANICAL SEAL DESIGN DATA

See file number 43.50 for standard mechanical seal details as indicated below

ARMSTRONG SEAL REFERENCE NUMBER:

c1 (a)  Others: \_\_\_\_\_

### SEAL DATA OPTIONS

### OPTIONAL EQUIPMENT

See file no. 43.50 for environmental accessories

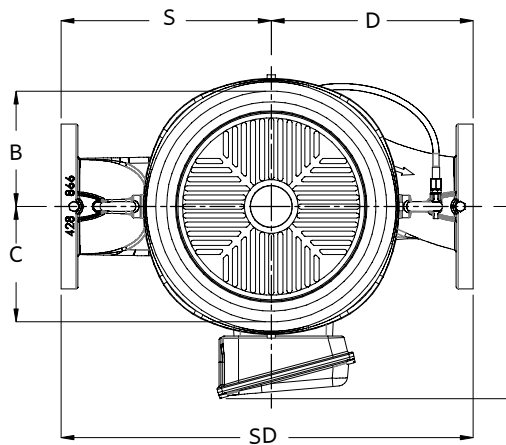
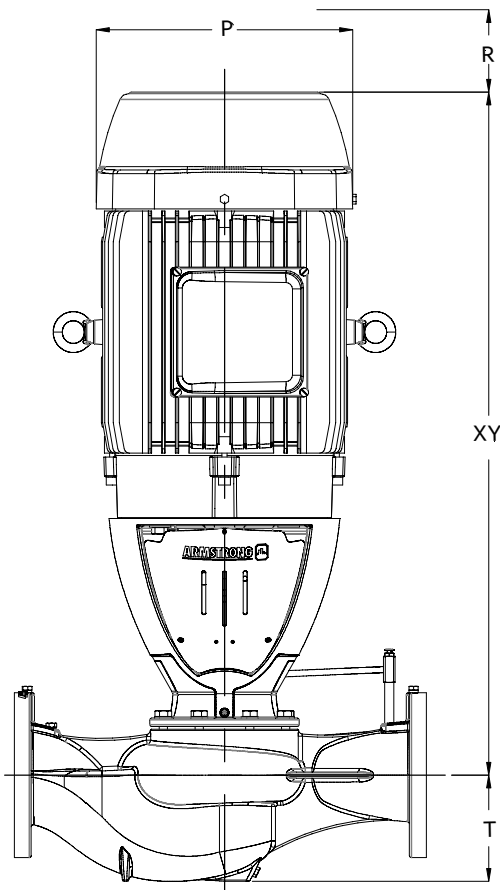
4300	FRAME	HORSEPOWER @ RPM				DIMENSIONS INCHES (mm)				WEIGHT* lbs (kgs)	
		ODP		TEFC		ODP/ TEFC				ODP	TEFC
		3600	1800	3600	1800	E	P	R	XY		
3×3×6B	215TC	15	—	—	—	8.62 (219)	10.79 (274)	1.85 (47)	29.40 (747)	321 (145.4)	—
	254TC	20	—	15	—	10.24 (260)	12.95 (329)	1.85 (47)	34.30 (871)	321 (145.4)	411 (186.2)
	256TC	25	—	20	—	10.24 (260)	12.95 (329)	2.24 (57)	40.83 (1037)	431 (195.3)	431 (195.3)
	284TSC	30	—	25	—	10.80 (274)	12.95 (329)	2.24 (57)	41.50 (1054)	476 (215.7)	476 (215.7)
	286TSC	—	—	30	—	10.80 (274)	14.17 (360)	2.24 (57)	43.00 (1092)	—	526 (238.4)

\*Assembly weight combines pump and motor.

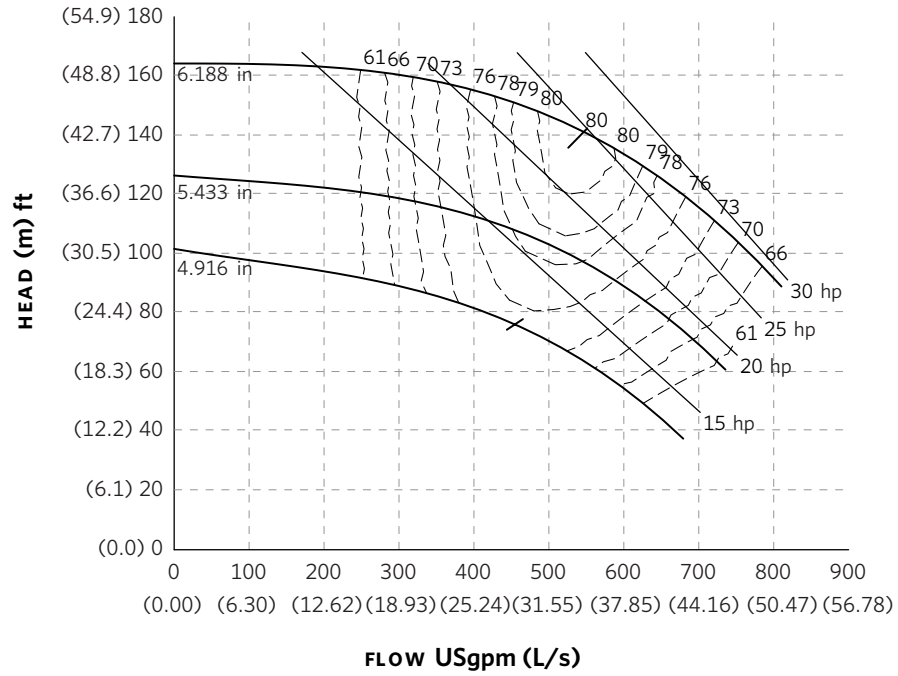
**PUMP DIMENSIONS**

inches (mm)

B	C	D	S	SD	T
5.68 (144)	4.82 (122)	10.00 (254)	10.00 (254)	20.00 (508)	6.00 (152)



## SERIES 4300 PERFORMANCE CURVES



**Curve number**

PT-773-0-0

**Series**

4300

**Size**

3×3×6B

**RPM**

3600

BHP based on shown  
Fluid's sp. gr.

**Availability**

4300 all ratings

Performance  
guaranteed only  
at operating point  
indicated

Curve shown for  
clear, cold water  
- SP. GR. 1.000

Performance curves are for reference only.

Confirm current performance data with Armstrong ADEPT selection software.

**TORONTO**

23 BERTRAND AVENUE,  
TORONTO, ONTARIO,  
CANADA, M1L 2P3  
+1 416 755 2291

**BUFFALO**

93 EAST AVENUE, NORTH  
TONAWANDA, NEW YORK,  
U.S.A., 14120-6594  
+1 716 693 8813

**DROITWICH SPA**

POINTON WAY, STONEBRIDGE CROSS  
BUSINESS PARK, DROITWICH SPA,  
WORCESTERSHIRE,  
UNITED KINGDOM, WR9 0LW  
+44 121 550 5333

**MANCHESTER**

WOLVERTON STREET, MANCHESTER  
UNITED KINGDOM, M11 2ET  
+44 161 223 2223

**BANGALORE**

#18, LEWIS WORKSPACE, 3<sup>RD</sup> FLOOR,  
OFF MILLERS - NANDIDURGA ROAD,  
JAYAMAHAL CBD, BENSON TOWN,  
BANGALORE, INDIA 560 046  
+91 80 4906 3555

**SHANGHAI**

UNIT 903, 888 NORTH SICHUAN RD.  
HONGKOU DISTRICT, SHANGHAI  
CHINA, 200085  
+86 21 5237 0909

**BEIJING**

ROOM 1612, NANYIN BUILDING NO.2  
NORTH EAST THRID RING ROAD  
CHAOYANG DISTRICT, BEIJING,  
CHINA 100027  
+86 21 5237 0909

**SÃO PAULO**

RUA JOSÉ SEMIÃO RODRIGUES  
AGOSTINHO, 1370 GALPÃO 6 EMBU  
DAS ARTES, SAO PAULO, BRAZIL  
+55 11 4785 1330

**LYON**

93 RUE DE LA VILLETTE  
LYON, 69003 FRANCE  
+33 4 26 83 78 74

**DUBAI**

JAFZA VIEW 19, OFFICE 402  
P.O. BOX 18226 JAFZA,  
DUBAI - UNITED ARAB EMIRATES  
+971 4 887 6775

**JIMBOLIA**

STR CALEA MOTILOR NR. 2C  
JIMBOLIA 305400, JUD.TIMIS  
ROMANIA  
+40 256 360 030

ARMSTRONG FLUID TECHNOLOGY®  
ESTABLISHED 1934

ARMSTRONGFLUIDTECHNOLOGY.COM