

# SERIES 4302 | VERTICAL IN-LINE DUALARM SPLIT-COUPLED | 6 × 6 × 10 | SUBMITTAL

File No: 43D.527  
Date: DECEMBER 4, 2014  
Supersedes: 43D.527  
Date: SEPTEMBER 10, 2012

Job: \_\_\_\_\_ Representative: \_\_\_\_\_  
 \_\_\_\_\_ Order no.: \_\_\_\_\_ Date: \_\_\_\_\_  
 Engineer: \_\_\_\_\_ Submitted by: \_\_\_\_\_ Date: \_\_\_\_\_  
 Contractor: \_\_\_\_\_ Approved by: \_\_\_\_\_ Date: \_\_\_\_\_

## PUMP DESIGN DATA

No. of pumps: \_\_\_\_\_ Tag: \_\_\_\_\_  
 Capacity: \_\_\_\_\_ USgpm (L/s) Head: \_\_\_\_\_ ft (m)  
 Liquid: \_\_\_\_\_ Viscosity: \_\_\_\_\_  
 Temperature: \_\_\_\_\_ °F (°C) Specific gravity: \_\_\_\_\_  
 Suction: 6" (150mm) Discharge: 6" (150mm)

## MOTOR DESIGN DATA

HP: \_\_\_\_\_ RPM: \_\_\_\_\_ Frame size: \_\_\_\_\_ Enclosure: \_\_\_\_\_  
 Volts: \_\_\_\_\_ Hertz: 60 Hz Phase: 3  
 Efficiency:  NEMA premium 12.12  Other \_\_\_\_\_ %

## MATERIALS OF CONSTRUCTION

ANSI FLANGE RATING	ANSI 125	ANSI 250
Construction	<input type="checkbox"/> BF	<input type="checkbox"/> DBF
Casing	Cast iron	Ductile iron
Adapter	Cast iron	Ductile iron

**Impeller:** Bronze

**Gasket:** Confined non-asbestos fiber

**Shaft:** 416 stainless steel

**Coupling:** High tensile aluminum

**Flush line:** Braided stainless steel

## MAXIMUM PUMP OPERATING CONDITIONS

### ANSI 125

175 psig at 150°F (12 bars at 65°C)  
 140 psig at 250°F (10 bars at 121°C)

### ANSI 250

250 psig at 150°F (17 bars at 65°C)  
 250 psig at 250°F (17 bars at 121°C)

- Coupling guard (not shown) is supplied
- See performance curves on page 3
- For exact installation, data please write factory for certified dimensions

## MECHANICAL SEAL DATA

See file no. 43.50 for standard mechanical seal details as indicated below.

ARMSTRONG SEAL REFERENCE NUMBER:

c1 (a) Other: \_\_\_\_\_

## OPTIONAL EQUIPMENT

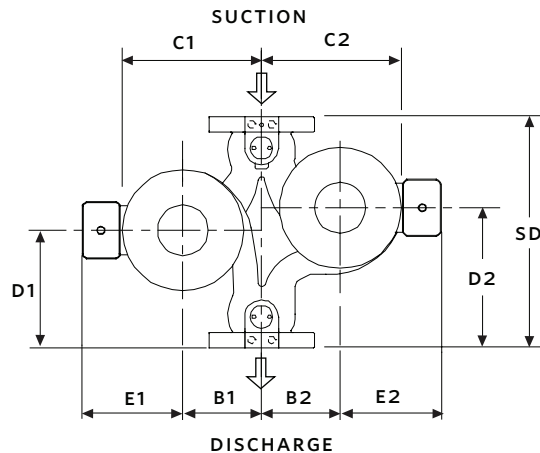
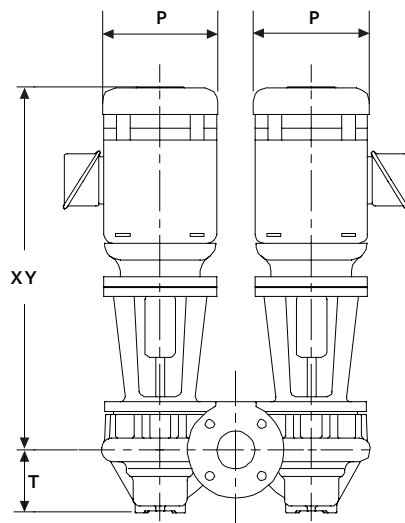
## SEAL DATA OPTIONS

MOTOR FRAME	HP @ RPM			MAX. DIMENSIONS inches (mm)								WEIGHT		
	3600		1800	1200	E1		E2		P		XY		lbs (kgs)	
	ODP	TEFC			ODP	TEFC	ODP	TEFC	ODP	TEFC	ODP	TEFC	ODP	TEFC
184TC	—	—	—	2	6.84 (174)	7.50 (191)	6.84 (174)	7.50 (191)	10.38 (264)	9.56 (243)	26.54 (674)	26.42 (671)	842 (381.9)	—
184TC	—	—	—	/2	6.84 (174)	7.50 (191)	6.84 (174)	7.50 (191)	10.38 (264)	9.56 (243)	26.54 (674)	26.42 (671)	—	896 (406.4)
213TC	—	—	7.5	3	7.59 (193)	8.25 (210)	7.59 (193)	8.25 (210)	12.13 (308)	11.25 (286)	28.04 (712)	29.16 (741)	856 (388.3)	—
213TC	—	—	—	/3	7.59 (193)	8.25 (210)	7.59 (193)	8.25 (210)	12.13 (308)	11.25 (286)	28.04 (712)	29.16 (741)	—	982 (445.4)
215TC	—	—	—	5	7.59 (193)	8.25 (210)	7.59 (193)	8.25 (210)	12.13 (308)	11.25 (286)	28.04 (712)	29.16 (741)	928 (420.9)	—
215TC	—	—	—	/5	7.59 (193)	8.25 (210)	7.59 (193)	8.25 (210)	12.13 (308)	11.25 (286)	28.04 (712)	29.16 (741)	—	1060 (480.8)
215TC	—	—	10/	—	7.59 (193)	8.25 (210)	7.59 (193)	8.25 (210)	12.13 (308)	11.25 (286)	28.04 (712)	29.16 (741)	970 (440.0)	—
215TC	—	—	/10	—	7.59 (193)	8.25 (210)	7.59 (193)	8.25 (210)	12.13 (308)	11.25 (286)	28.04 (712)	29.16 (741)	—	1054 (478.1)
254TC	—	—	15	—	9.94 (252)	8.90 (226)	9.94 (252)	8.90 (226)	13.38 (340)	13.38 (340)	34.04 (865)	34.10 (866)	1224 (555.2)	—
254TC	—	—	/15	—	9.94 (252)	8.90 (226)	9.94 (252)	8.90 (226)	13.38 (340)	13.38 (340)	34.04 (865)	34.10 (866)	—	1292 (586.0)
326TSC	60	—	—	—	12.69 (322)	13.91 (353)	12.69 (322)	13.91 (353)	14.13 (359)	17.00 (432)	38.48 (977)	44.29 (1125)	2098 (951.6)	—
326TSC	—	60	—	—	12.69 (322)	13.91 (353)	12.69 (322)	13.91 (353)	14.13 (359)	17.00 (432)	38.48 (977)	44.29 (1125)	—	2814 (1276.4)
364TSC	75	—	—	—	16.19 (411)	16.44 (418)	16.19 (411)	16.44 (418)	17.68 (449)	19.03 (483)	39.91 (1014)	42.60 (1082)	2480 (1124.9)	—
364TSC	—	75	—	—	16.19 (411)	16.44 (418)	16.19 (411)	16.44 (418)	17.68 (449)	19.03 (483)	39.91 (1014)	42.60 (1082)	—	2920 (1324.5)
365TSC	100	—	—	—	16.19 (411)	16.44 (418)	16.19 (411)	16.44 (418)	17.68 (449)	19.03 (483)	39.91 (1014)	42.60 (1082)	2688 (1219.3)	—
365TSC	—	100	—	—	16.19 (411)	16.44 (418)	16.19 (411)	16.44 (418)	17.68 (449)	19.03 (483)	39.91 (1014)	42.60 (1082)	—	3264 (1480.5)

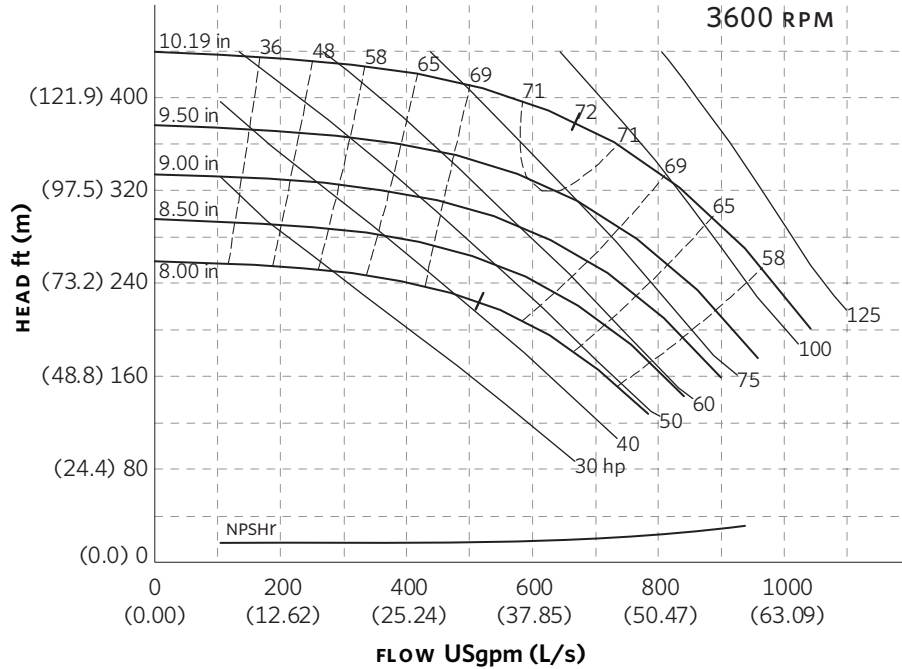
**PUMP DIMENSIONS**

inches (mm)

B1	B2	C1	C2	D1	D2	SD	T
10.00	10.00	17.63	18.63	15.50	18.75	36.00	7.66
(254)	(254)	(448)	(473)	(394)	(476)	(914)	(195)



SERIES 4302 PERFORMANCE CURVES



**Curve number**  
PT82-1-0-3600

**Series**  
4302  
4382

**Size**  
6 × 6 × 10

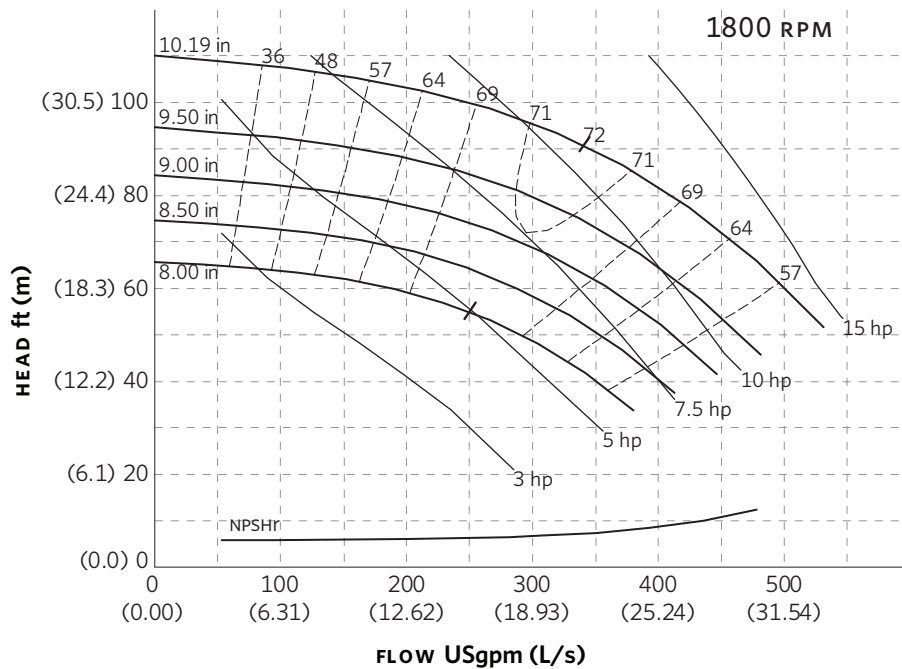
**RPM**  
3600

BHP based on shown  
Fluid's sp. gr.

**Availability**  
4302 all ratings  
4382 all ratings

Performance  
guaranteed only  
at operating point  
indicated.

Curve shown for  
clear, cold water  
- SP. GR. 1.0000



**Curve number**  
PT81-1-0-1800

**Series**  
4302  
4382

**Size**  
6 × 6 × 10

**RPM**  
1800

BHP based on shown  
Fluid's sp. gr.

**Availability**  
4302 all ratings  
4382 all ratings

Performance  
guaranteed only  
at operating point  
indicated.

Curve shown for  
clear, cold water  
- SP. GR. 1.0000

Performance curves are for reference only.  
Confirm current performance data with Armstrong ACE ONLINE selection software.

**TORONTO**

23 BERTRAND AVENUE  
TORONTO, ONTARIO  
CANADA  
M1L 2P3  
+1 416 755 2291

**BUFFALO**

93 EAST AVENUE  
NORTH TONAWANDA, NEW YORK  
U.S.A.  
14120-6594  
+1 716 693 8813

**BIRMINGHAM**

HEYWOOD WHARF, MUCKLOW HILL  
HALESOWEN, WEST MIDLANDS  
UNITED KINGDOM  
B62 8DJ  
+44 (0) 8444 145 145

**MANCHESTER**

WOLVERTON STREET  
MANCHESTER  
UNITED KINGDOM  
M11 2ET  
+44 (0) 8444 145 145

**BANGALORE**

#59, FIRST FLOOR, 3RD MAIN  
MARGOSA ROAD, MALLESWARAM  
BANGALORE, INDIA  
560 003  
+91 (0) 80 4906 3555

**SHANGHAI**

NO. 1619 HU HANG ROAD, XI DU TOWNSHIP  
FENG XIAN DISTRICT, SHANGHAI  
P.R.C.  
201401  
+86 21 3756 6696

**MAKING  
ENERGY  
MAKE  
SENSE™**