

SERIES 4312

SPLIT-COUPLED VERTICAL IN-LINE TWIN PUMP

3 × 3 × 6 | SUBMITTAL

File No: 43T.403
 Date: DECEMBER 4, 2014
 Supersedes: 43T.403
 Date: JULY 16, 2012

Job: _____ Representative: _____

Ordered by: _____ Date: _____

Engineer: _____ Submitted by: _____ Date: _____

Contractor: _____ Approved by: _____ Date: _____

PUMP DESIGN DATA

No. of pumps: _____ Tag: _____
 Capacity: _____ USgpm (L/s) Head: _____ ft (m)
 Liquid: _____ Viscosity: _____
 Temperature: _____ °F (°C) Specific gravity: _____
 Suction: 3"(75mm) Discharge: 3"(75mm)

MOTOR DESIGN DATA

HP: _____ RPM: _____ Frame size: _____ Enclosure: _____
 Volts: _____ Hertz: 60 Hz Phase: 3
 Efficiency: NEMA premium 12.12 Other: _____%

MATERIALS OF CONSTRUCTION

ANSI FLANGE RATING	ANSI 125
Construction	<input type="checkbox"/> BF
Casing	Cast iron
Adapter	Cast iron

Impeller: Bronze
Gasket: Confined non-asbestos fiber
Shaft: Carbon steel
Shaft sleeve: Bronze
Flush line: Braided stainless steel

MAXIMUM PUMP OPERATING CONDITIONS

ANSI 125
 175 psig at 150°F (12 bars at 65°C)
 100 psig at 300°F (7 bars at 150°C)

- See performance curves on page 3
- For exact installation, data please write factory for certified dimensions
- See file no. 43.50 for maximum seal operating conditions

MECHANICAL SEAL DATA

See file no. 43.50 for standard mechanical seal details as indicated below.

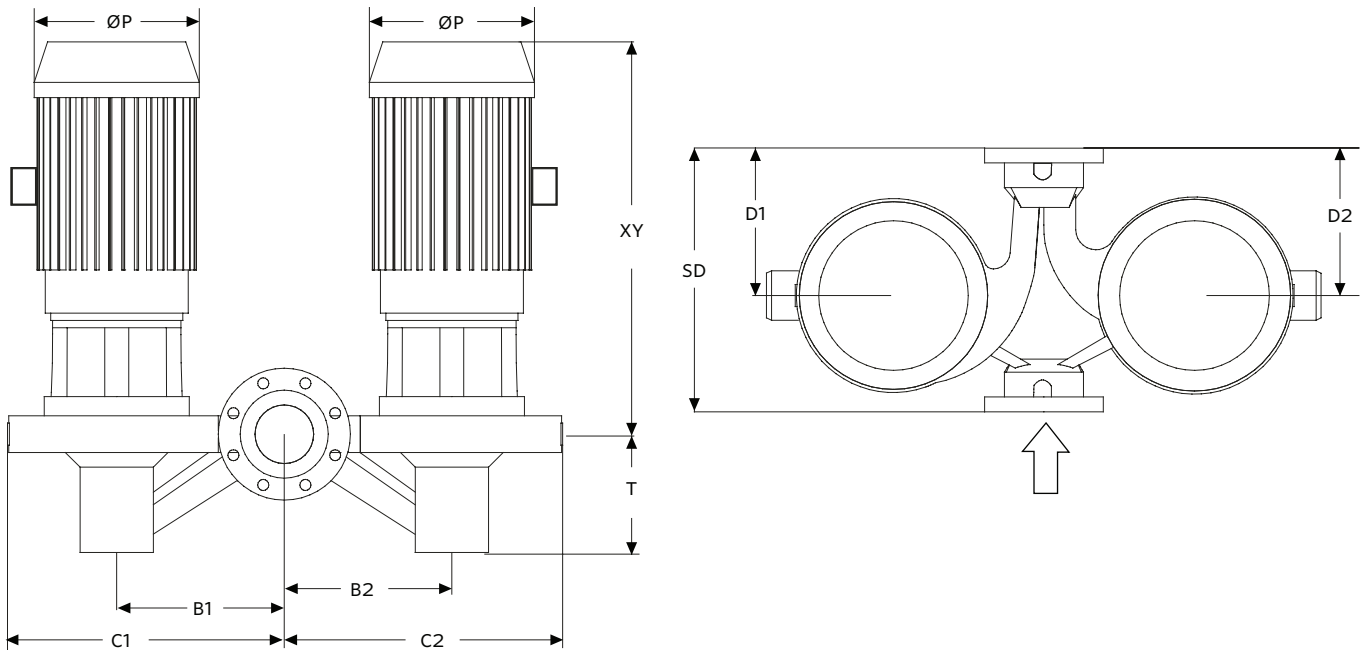
ARMSTRONG SEAL REFERENCE NUMBER:

c1 (a) Other: _____

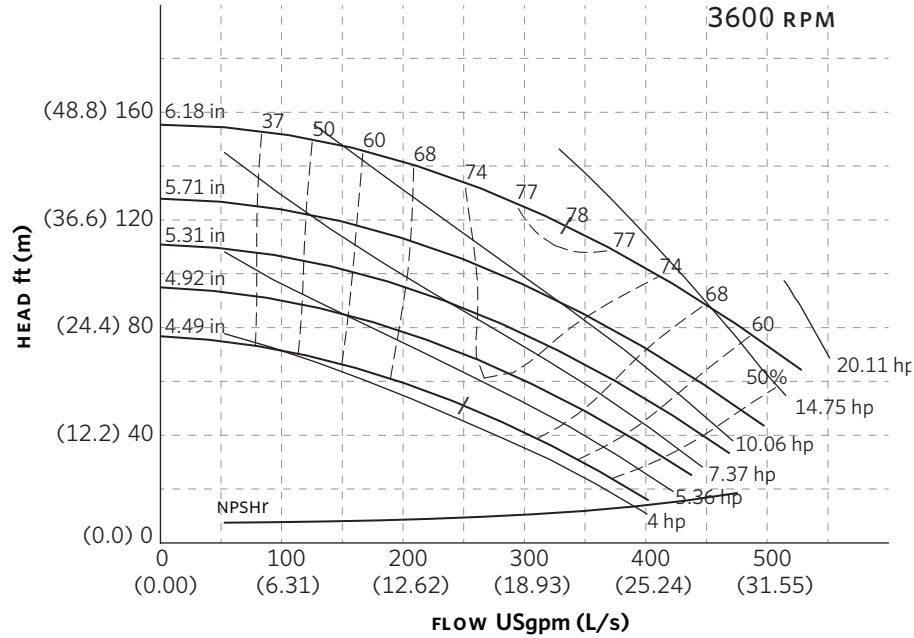
MOTOR	HORSEPOWER @ RPM		1800	MAX. DIMENSIONS INCHES (mm)		WEIGHT	
	3600	1800		P	XY	lbs (kg)	
FRAME	ODP	TEFC				ODP	TEFC
	143TC	—				—	1
145TC	—	—	1.5	8.63 (219)	22.03 (560)	366 (166.0)	382 (173.3)
145TC	—	—	2	8.63 (219)	22.03 (560)	374 (169.6)	386 (175.1)
182TC	5	—	3	10.38 (264)	26.56 (674)	384 (174.2)	—
184TC	7.5	5	—	10.38 (264)	26.56 (674)	408 (185.1)	498 (225.9)
213TC	10	7.5	—	12.13 (308)	29.18 (741)	540 (244.9)	538 (244.0)
215TC	15	10	—	12.13 (308)	29.18 (741)	550 (249.5)	616 (279.4)
254TC	—	15	—	13.38 (340)	34.12 (867)	—	836 (379.2)

PUMP DIMENSIONS
INCHES (mm)

B1	B2	C1	C2	D1	D2	SD	T
8.86	8.86	14.30	14.30	7.09	8.66	14.96	5.91
(225)	(225)	(363)	(363)	(180)	(220)	(380)	(150)



SERIES 4312 PERFORMANCE CURVES



Curve number
PT536-1-0-3550

Series
4312

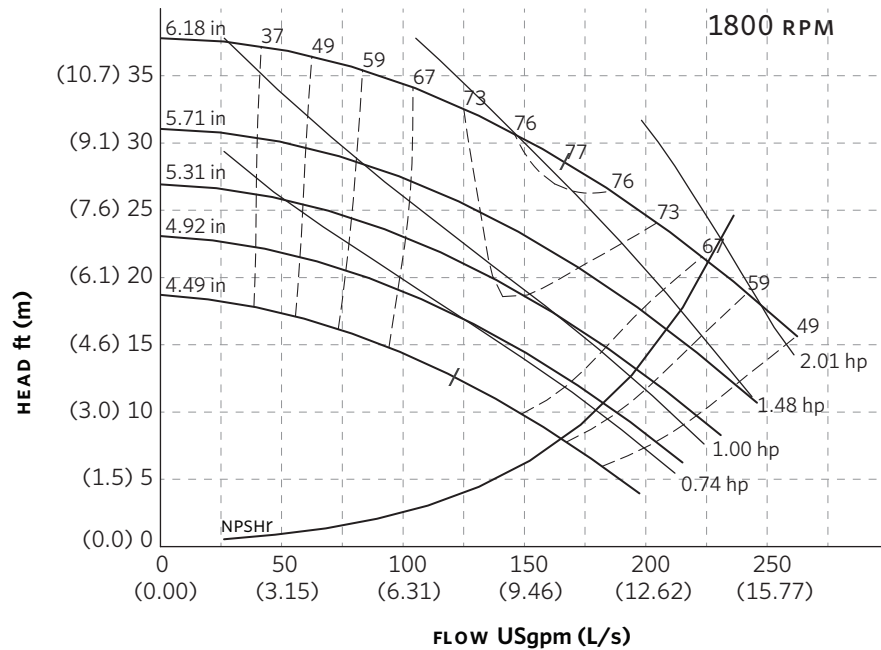
Size
3 × 3 × 6

RPM
3600

BHP based on shown
Fluid's sp. gr.

Availability
4312 all ratings

Performance
guaranteed only
at operating point
indicated
Curve shown for
clear, cold water
- SP. GR. 1.0000



Curve number
PT535-0-0-1750

Series
4312

Size
3 × 3 × 6

RPM
1800

BHP based on shown
Fluid's sp. gr.

Availability
4312 all ratings

Performance
guaranteed only
at operating point
indicated
Curve shown for
clear, cold water
- SP. GR. 1.0000

Performance curves are for reference only.
Confirm current performance data with Armstrong ACE ONLINE selection software.

TORONTO

23 BERTRAND AVENUE
TORONTO, ONTARIO
CANADA
M1L 2P3
+416 755 2291

BUFFALO

93 EAST AVENUE
NORTH TONAWANDA, NEW YORK
U.S.A.
14120-6594
+716 693 8813

BIRMINGHAM

HEYWOOD WHARF, MUCKLOW HILL
HALESOWEN, WEST MIDLANDS
UNITED KINGDOM
B62 8DJ
+44 (0) 8444 145 145

MANCHESTER

WOLVERTON STREET
MANCHESTER
UNITED KINGDOM
M11 2ET
+44 (0) 8444 145 145

BANGALORE

#59, FIRST FLOOR, 3RD MAIN
MARGOSA ROAD, MALLESWARAM
BANGALORE, INDIA
560 003
+91 (0) 80 4906 3555

SHANGHAI

NO. 1619 HU HANG ROAD, XI DU TOWNSHIP
FENG XIAN DISTRICT, SHANGHAI
P.R.C.
201401
+86 21 3756 6696

**MAKING
ENERGY
MAKE
SENSE™**