

## SERIES 4312

SPLIT-COUPLED VERTICAL IN-LINE TWIN PUMP

2 × 2 × 8 | SUBMITTAL

File No: 43T.407  
 Date: DECEMBER 4, 2014  
 Supersedes: 43T.407  
 Date: JULY 16, 2012

Job: \_\_\_\_\_ Representative: \_\_\_\_\_

Ordered by: \_\_\_\_\_ Date: \_\_\_\_\_

Engineer: \_\_\_\_\_ Submitted by: \_\_\_\_\_ Date: \_\_\_\_\_

Contractor: \_\_\_\_\_ Approved by: \_\_\_\_\_ Date: \_\_\_\_\_

### PUMP DESIGN DATA

No. of pumps: \_\_\_\_\_ Tag: \_\_\_\_\_  
 Capacity: \_\_\_\_\_ USgpm (L/s) Head: \_\_\_\_\_ ft (m)  
 Liquid: \_\_\_\_\_ Viscosity: \_\_\_\_\_  
 Temperature: \_\_\_\_\_ °F (°C) Specific gravity: \_\_\_\_\_  
 Suction: 2"(50mm) Discharge: 2"(50mm)

### MOTOR DESIGN DATA

HP: \_\_\_\_\_ RPM: \_\_\_\_\_ Frame size: \_\_\_\_\_ Enclosure: \_\_\_\_\_  
 Volts: \_\_\_\_\_ Hertz: 60 Hz Phase: 3  
 Efficiency:  NEMA premium 12.12  Other: \_\_\_\_\_%

### MATERIALS OF CONSTRUCTION

ANSI FLANGE RATING	ANSI 125
Construction	<input type="checkbox"/> BF
Casing	Cast iron
Adapter	Cast iron

**Impeller:** Bronze

**Gasket:** Confined non-asbestos fiber

**Shaft:** Carbon steel

**Shaft sleeve:** Bronze

**Flush line:** Braided stainless steel

### MAXIMUM PUMP OPERATING CONDITIONS

#### ANSI 125

175 psig at 150°F (12 bars at 65°C)

100 psig at 300°F (7 bars at 150°C)

- See performance curves on page 3
- For exact installation, data please write factory for certified dimensions
- See file no. 43.50 for maximum seal operating conditions

### MECHANICAL SEAL DATA

See file no. 43.50 for standard mechanical seal details as indicated below.

ARMSTRONG SEAL REFERENCE NUMBER:

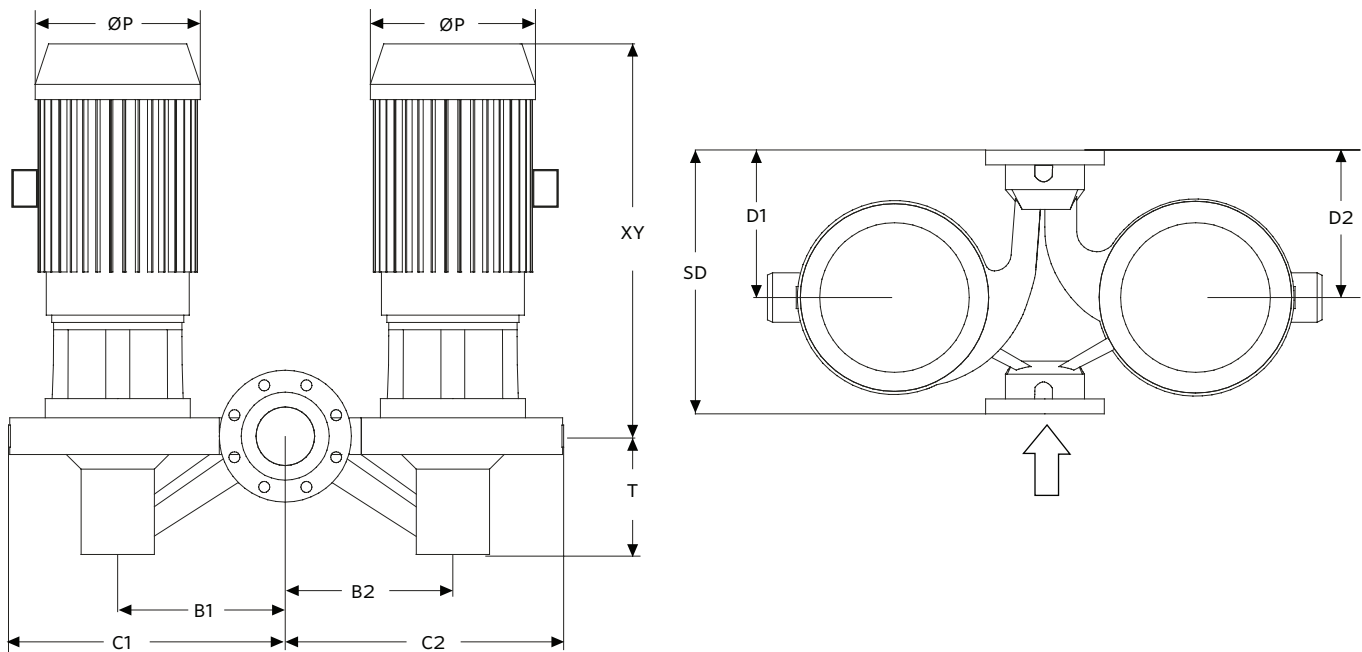
c1 (a) Other: \_\_\_\_\_

MOTOR	HORSEPOWER @ RPM		MAX. DIMENSIONS INCHES (mm)			WEIGHT	
	3600		1800	P	XY	lbs (kg)	
	ODP	TEFC				ODP	TEFC
145TC	—	—	1.5	8.63 (219)	22.04 (560)	381 (172.8)	397 (180.1)
145TC	—	—	2	8.63 (219)	22.04 (560)	389 (176.4)	401 (181.9)
182TC	—	—	3	10.38 (264)	26.54 (674)	421 (191.0)	483 (219.1)
184TC	—	—	5	10.38 (264)	26.54 (674)	445 (201.8)	501 (227.2)
215TC	15	—	—	12.13 (308)	29.17 (741)	565 (256.3)	—
254TC	20	15	—	13.38 (340)	34.11 (866)	715 (324.3)	845 (383.3)
256TC	25	20	—	13.38 (340)	34.11 (866)	825 (374.2)	911 (413.2)
284TSC	30	25	—	15.31 (389)	43.37 (1102)	1031 (467.7)	1015 (460.4)
286TSC	40	30	—	15.31 (389)	43.37 (1102)	1199 (543.9)	1141 (517.5)

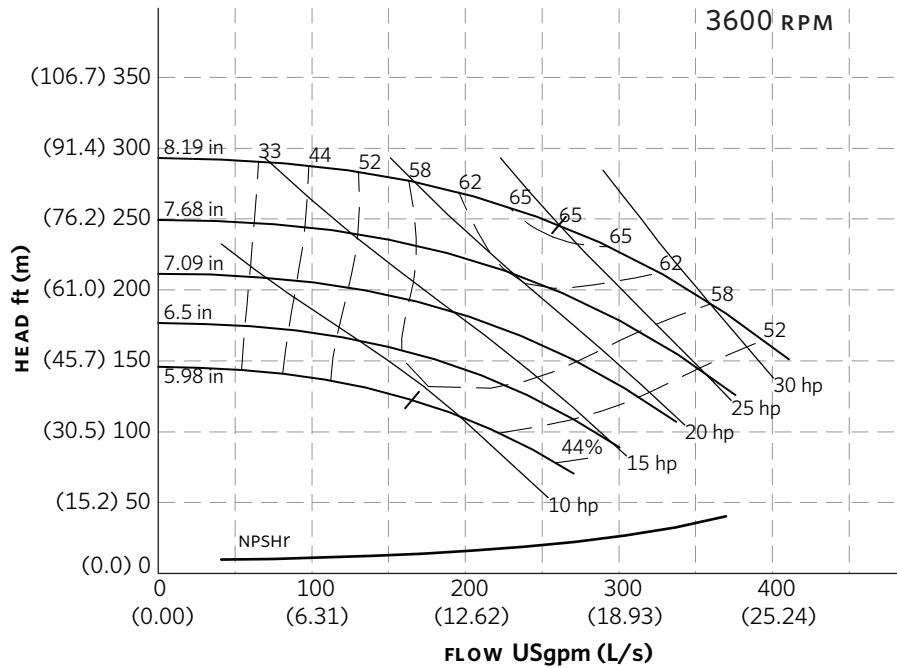
**PUMP DIMENSIONS**

INCHES (mm)

B1	B2	C1	C2	D1	D2	SD	T
8.19	8.66	13.91	14.38	8.27	9.06	15.75	5.12
(208)	(220)	(353)	(365)	(210)	(230)	(400)	(130)



**SERIES 4312 PERFORMANCE CURVES**



**Curve number**  
PT532-0-0-3600

**Series**  
4312

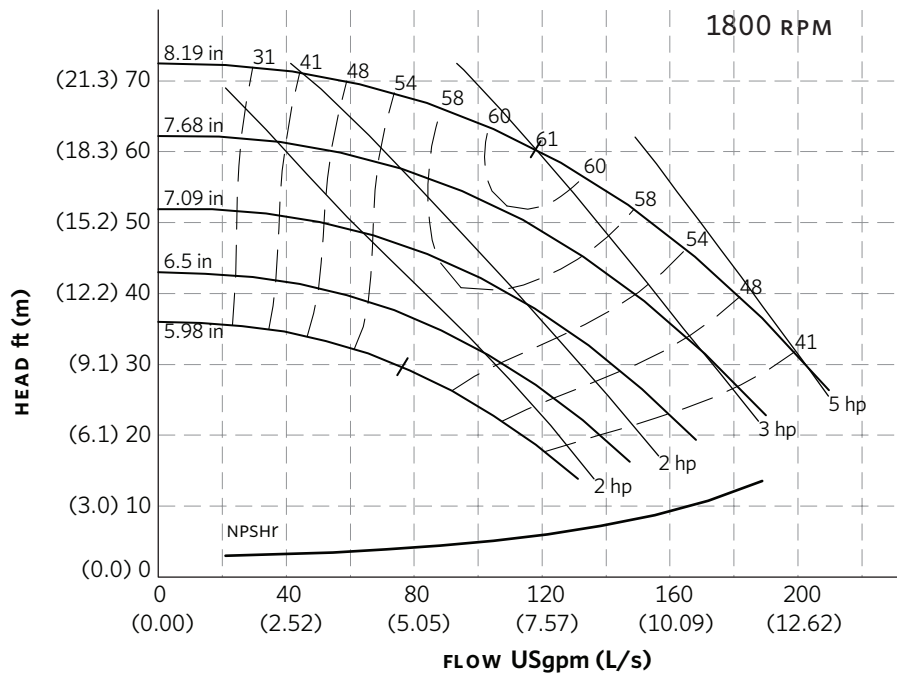
**Size**  
2 x 2 x 8

**RPM**  
3600

HP based on shown  
Fluid's sp. gr.

**Availability**  
4312 all ratings

Performance  
guaranteed only  
at operating point  
indicated  
Curve shown for  
clear, cold water  
- SP. GR. 1.0000



**Curve number**  
PT531-0-0-1800

**Series**  
4312

**Size**  
2 x 2 x 8

**RPM**  
1800

HP based on shown  
Fluid's sp. gr.

**Availability**  
4312 all ratings

Performance  
guaranteed only  
at operating point  
indicated  
Curve shown for  
clear, cold water  
- SP. GR. 1.0000

Performance curves are for reference only.  
Confirm current performance data with Armstrong ACE ONLINE selection software.

**TORONTO**

23 BERTRAND AVENUE  
TORONTO, ONTARIO  
CANADA  
M1L 2P3  
+416 755 2291

**BUFFALO**

93 EAST AVENUE  
NORTH TONAWANDA, NEW YORK  
U.S.A.  
14120-6594  
+716 693 8813

**BIRMINGHAM**

HEYWOOD WHARF, MUCKLOW HILL  
HALESOWEN, WEST MIDLANDS  
UNITED KINGDOM  
B62 8DJ  
+44 (0) 8444 145 145

**MANCHESTER**

WOLVERTON STREET  
MANCHESTER  
UNITED KINGDOM  
M11 2ET  
+44 (0) 8444 145 145

**BANGALORE**

#59, FIRST FLOOR, 3RD MAIN  
MARGOSA ROAD, MALLESWARAM  
BANGALORE, INDIA  
560 003  
+91 (0) 80 4906 3555

**SHANGHAI**

NO. 1619 HU HANG ROAD, XI DU TOWNSHIP  
FENG XIAN DISTRICT, SHANGHAI  
P.R.C.  
201401  
+86 21 3756 6696

**MAKING  
ENERGY  
MAKE  
SENSE™**