

SERIES 4360 IN-LINE PUMPS INSIDE MECHANICAL SEAL | 2D | SUBMITTAL

File No: 43.609
Date: NOV. 26, 2014
Supersedes: 43.609
Date: MAR. 15, 2012

Job: _____ Representative: _____
 _____ Ordered by: _____ Date: _____
 Engineer: _____ Submitted by: _____ Date: _____
 Contractor: _____ Approved by: _____ Date: _____

PUMP DESIGN DATA

No. of pumps: _____ Tag: _____
 Capacity: _____ USgpm (L/s) Head: _____ ft (m)
 Liquid: _____ Viscosity: _____
 Temperature: _____ °F (°C) Specific Gravity: _____
 Suction: 2" (50mm) Discharge: 2" (50mm)

MOTOR DESIGN DATA

HP: _____ RPM: _____ Frame size: _____ Enclosure: _____
 Volts: _____ Hertz: 60 Hz Phase: 3
 Efficiency*: Standard Energy EFF 12.11
 NEMA premium 12.12

* Frame 56 motors: Standard Efficiency only.
 JM motors: 12.11 or 12.12

MATERIALS OF CONSTRUCTION

PART NAME	■ BRONZE FITTED		■ ALL IRON		■ ALL BRONZE	
Casing	Cast iron		Cast iron		Bronze	
Impeller	Bronze		Cast iron		Bronze	
Companion flanges	Cast iron		Cast iron		Bronze	
Pump/motor bracket	Cast iron		Cast iron		Bronze	
Motor frame	<input type="checkbox"/> 56C	<input type="checkbox"/> JM	<input type="checkbox"/> 56C	<input type="checkbox"/> JM	<input type="checkbox"/> 56C	<input type="checkbox"/> JM
Stub shaft	Stainless steel	NA	Stainless steel	NA	Stainless steel	NA
Shaft sleeve	NA	Bronze	NA	St Steel	NA	Bronze

OPTIONAL EQUIPMENT

MECHANICAL SEAL DATA

Seal Type: 2A Stationary Seat: Silicone carbide
 Secondary Seal: EPDM Rotating Hardware: Stainless steel
 Spring: Stainless steel

MAXIMUM PUMP OPERATING CONDITIONS

ANSI 125

175 psig at 150°F (12 bars at 65°C)
 140 psig at 250°F (10 bars at 121°C)

ANSI 250

300 psig at 150°F (20 bars at 65°C)
 250 psig at 250°F (17 bars at 121°C)

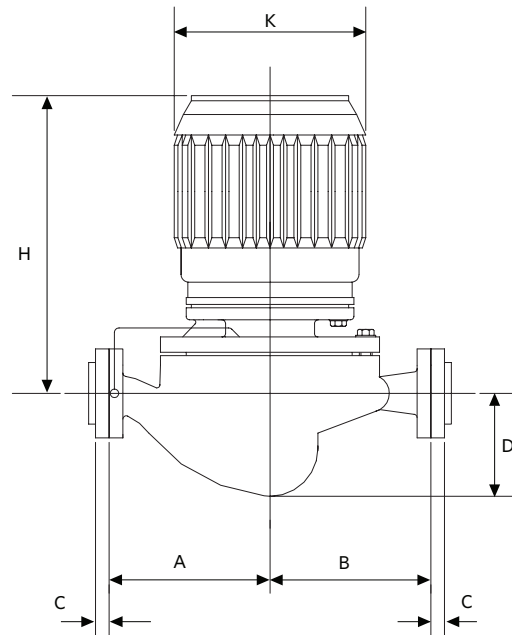
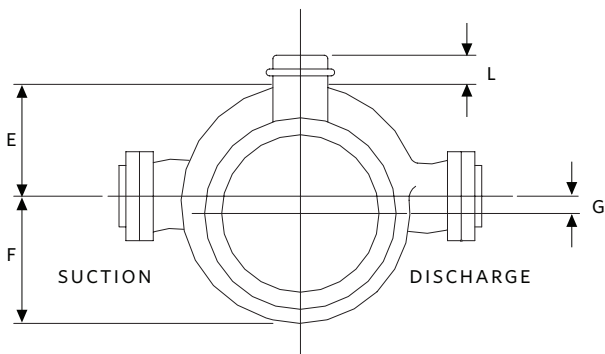
FLUID TYPE	ALL GLYCOLS > 30% WT CONC		ALL OTHER NON-POTABLE FLUIDS		POTABLE (DRINKING) WATER	
Temperature	up to 200°F (93°C)	over 200°F (93°C)	up to 200°F (93°C)	over 200°F (93°C)	up to 200°F (93°C)	over 200°F (93°C)
Rotating Face	Silicone carbide		Resin bonded carbon	Antimony loaded carbon	Resin bonded carbon	
Seat Elastomer	EPDM (L-cup)	EPDM (O-ring)	EPDM (L-cup)	EPDM (O-ring)	EPDM (L-cup)	EPDM (O-ring)
Material Code	SCsc L EPSS 2A	SCsc O EPSS 2A	C-sc L EPSS 2A	ACsc O EPSS 2A	C-sc L EPSS 2A	C-sc O EPSS 2A

MOTOR FRAME	HORSEPOWER @ RPM		MAX. DIMENSIONS INCHES (mm)				SHIP. WEIGHT lbs (kg)		
	3500	1750	G	H		K	L	ODP	TEFC
				SINGLE PHASE	THREE PHASE	MAX	MAX		
56C	-	0.33	1.00 (25)	13.50 (343)	13.69 (348)	7.50 (191)	1.00 (25)	105 (47.6)	105 (47.6)
56C	-	0.50	1.00 (25)	13.81 (351)	13.69 (348)	7.50 (191)	1.00 (25)	105 (47.6)	105 (47.6)
56C	-	0.75	1.00 (25)	13.81 (351)	13.69 (348)	7.50 (191)	1.00 (25)	107 (48.5)	107 (48.5)
143JM	-	1	1.00 (25)	14.38 (366)	13.75 (349)	7.50 (191)	1.25 (32)	123 (55.8)	125 (56.7)
145JM	-	1.5	1.00 (25)	15.38 (391)	14.75 (375)	7.50 (191)	1.25 (32)	129 (58.5)	133 (60.3)
145JM	-	2	1.00 (25)	15.38 (391)	14.75 (375)	7.50 (191)	1.25 (32)	132 (59.9)	136 (61.7)
145JM	3	-	1.00 (25)	-	14.75 (375)	7.50 (191)	1.25 (32)	134 (60.8)	173 (78.5)
182JM	5	-	1.00 (25)	-	15.50 (394)	9.50 (241)	2.88 (73)	135 (61.2)	186 (84.4)
184JM	7.5	-	1.00 (25)	-	16.50 (419)	9.50 (241)	2.88 (73)	148 (67.1)	219 (99.3)
213JM	10	-	1.00 (25)	-	18.06 (459)	10.75(273)	4.88 (124)	188 (85.3)	240 (108.9)
215JM	15	-	1.00 (25)	-	19.56 (497)	10.75(273)	4.88 (124)	227 (103.0)	333 (151.0)

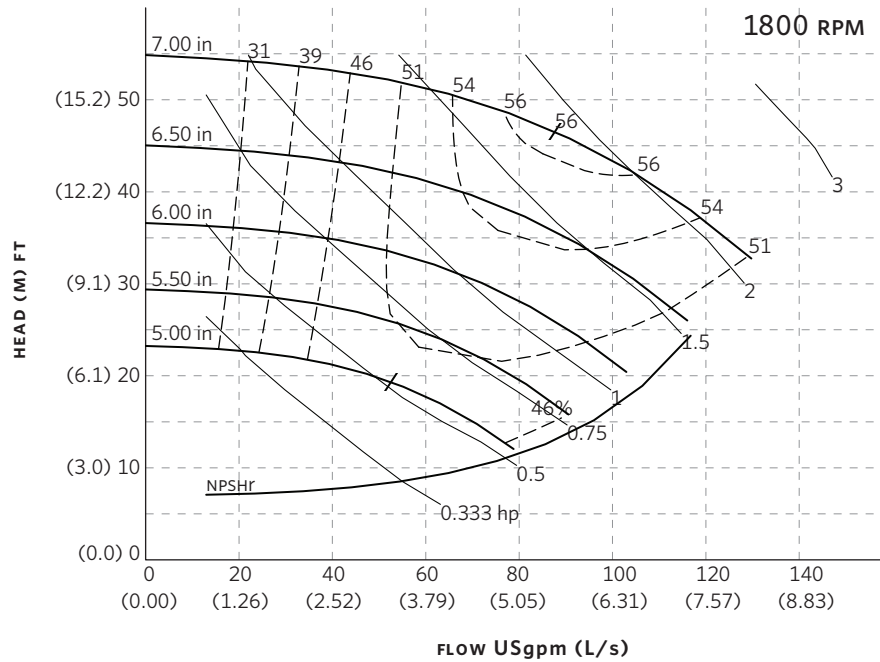
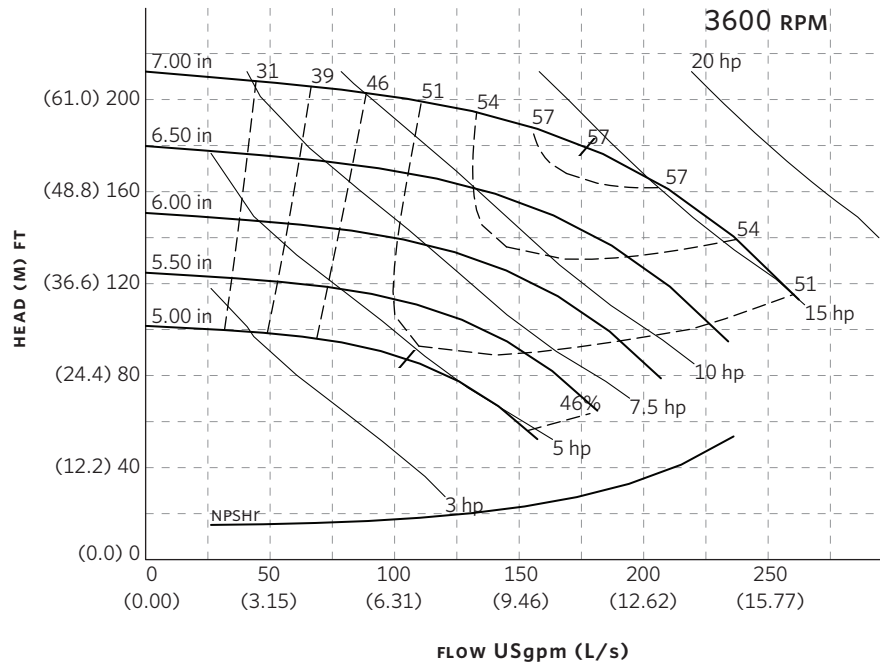
PUMP DIMENSIONS

INCHES (mm)

A	B	C	D	E	F
7.50	5.50	0.88	3.50	4.13	5.75
(191)	(140)	(22)	(89)	(105)	(146)



SERIES 4360 PERFORMANCE CURVES



Performance curves are for reference only.
 Confirm current performance data with Armstrong ACE Online selection software.

TORONTO

23 BERTRAND AVENUE
TORONTO, ONTARIO
CANADA
M1L 2P3
+416 755 2291

BUFFALO

93 EAST AVENUE
NORTH TONAWANDA, NEW YORK
U.S.A.
14120-6594
+716 693 8813

BIRMINGHAM

HEYWOOD WHARF, MUCKLOW HILL
HALESOWEN, WEST MIDLANDS
UNITED KINGDOM
B62 8DJ
+44 (0) 8444 145 145

MANCHESTER

WENLOCK WAY
MANCHESTER
UNITED KINGDOM
M12 5JL
+44 (0) 8444 145 145

BANGALORE

#59, FIRST FLOOR, 3RD MAIN
MARGOSA ROAD, MALLESWARAM
BANGALORE, INDIA
560 003
+91 (0) 80 4906 3555

SHANGHAI

NO. 1619 HU HANG ROAD, XI DU TOWNSHIP
FENG XIAN DISTRICT, SHANGHAI
P.R.C.
201401
+86 21 3756 6696

ARMSTRONG INTEGRATED
ESTABLISHED 1934

ARMSTRONGINTEGRATED.COM

MAKING
ENERGY
MAKE
SENSE™