

SERIES 4380 | VERTICAL IN-LINE PUMPS

CLOSED-COUPLED | 2 × 2 × 6 | SUBMITTAL

File No: 43-704
 Date: NOV. 26, 2014
 Supersedes: 43-704
 Date: SEPTEMBER 10, 2012

Job: _____ Representative: _____
 _____ Order no.: _____ Date: _____
 Engineer: _____ Submitted by: _____ Date: _____
 Contractor: _____ Approved by: _____ Date: _____

PUMP DESIGN DATA

No. of pumps: _____ Tag: _____
 Capacity: _____ USgpm (L/s) Head: _____ ft (m)
 Liquid: _____ Viscosity: _____
 Temperature: _____ °F (°C) Specific gravity: _____
 Suction: 2" (50mm) Discharge: 2" (50mm)

MOTOR DESIGN DATA

HP: _____ RPM: _____ Frame size: _____ Enclosure: _____
 Volts: _____ Hertz: 60 Hz Phase: 3
 Efficiency: Energy EFF 12.11 NEMA premium 12.12

MATERIALS OF CONSTRUCTION

ANSI FLANGE RATING	ANSI 125	ANSI 250
Construction	<input type="checkbox"/> BF	<input type="checkbox"/> DBF
Casing	Cast iron	Ductile iron
Adapter	Cast iron	Ductile iron

Impeller: Bronze
Gasket: Confined non-asbestos fiber
Shaft: Carbon steel
Shaft sleeve: Bronze
Flush line: Braided stainless steel

MAXIMUM PUMP OPERATING CONDITIONS

- ANSI 125**
 175 psig at 150°F (12 bars at 65°C)
 140 psig at 250°F (10 bars at 121°C)
- ANSI 250**
 300 psig at 150°F (20 bars at 65°C)
 250 psig at 250°F (17 bars at 121°C)
- Tolerance of ±0.125" (±3 mm) should be used
 - See performance curves on page 3
 - For exact installation, data please write factory for certified dimensions
 - Pump equipped with casing drain plug and ¼" NPT suction and discharge gauge ports

MECHANICAL SEAL DATA

Seal type: 2A **Stationary seat:** Silicone carbide
Secondary seal: EPDM **Rotating hardware:** Stainless steel
Spring: Stainless steel

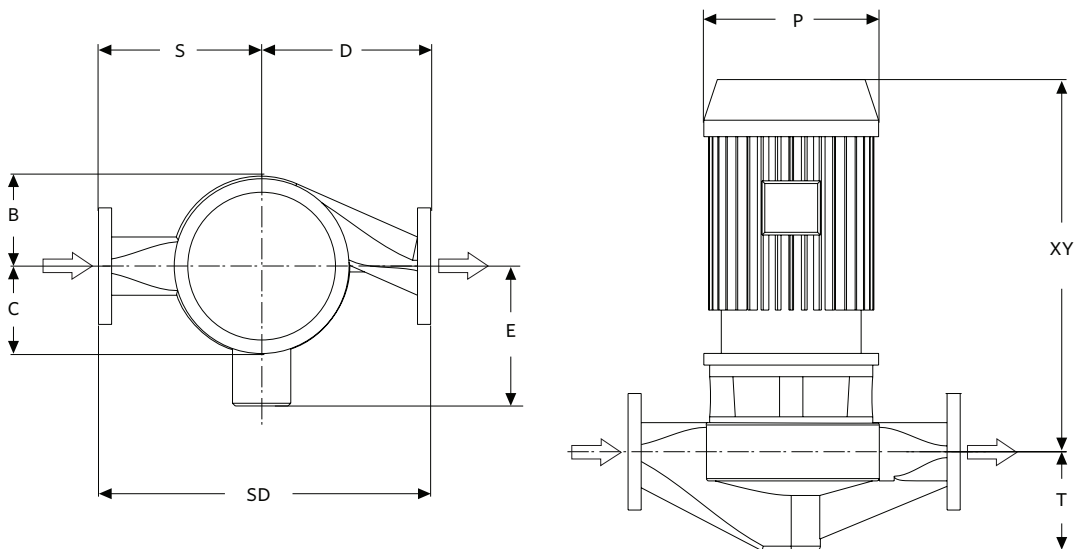
OPTIONAL EQUIPMENT

FLUID TYPE	ALL GLYCOLS > 30% WT CONC		ALL OTHER NON-POTABLE FLUIDS		POTABLE (DRINKING) WATER	
	up to 200°F (93°C)	over 200°F (93°C)	up to 200°F (93°C)	over 200°F (93°C)	up to 200°F (93°C)	over 200°F (93°C)
Rotating face	Silicone carbide		Resin bonded carbon	Antimony loaded carbon	Resin bonded carbon	
Seat elastomer	EPDM (L-cup)	EPDM (O-ring)	EPDM (L-cup)	EPDM (O-ring)	EPDM (L-cup)	EPDM (O-ring)
Material code	SCSC L EPSS 2A	SCSC O EPSS 2A	C-SC L EPSS 2A	ACSC O EPSS 2A	C-SC L EPSS 2A	C-SC O EPSS 2A

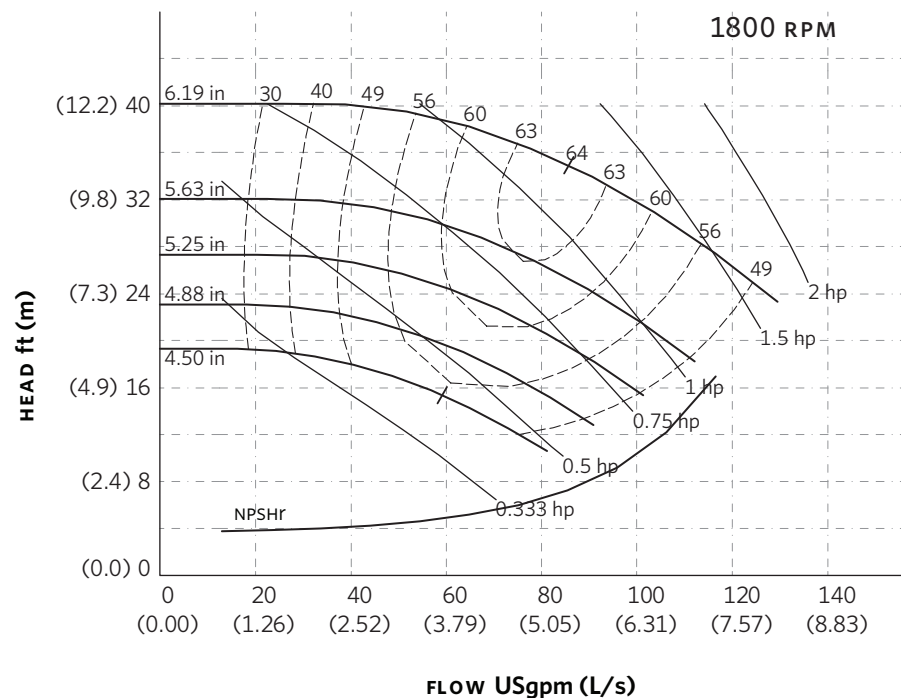
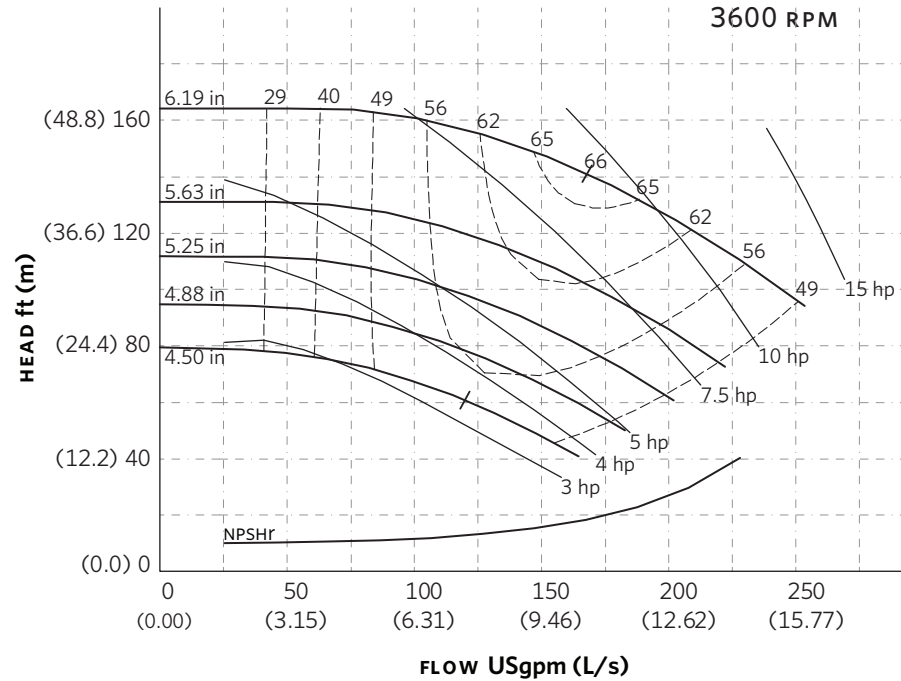
MOTOR	HORSEPOWER - @ RPM			DIMENSIONS inches (mm)			SHIP. WEIGHT	
	ODP & TEFC						lbs	(kgs)
FRAME	3600	1800	1200	E	P	XY	ODP	TEFC
56C	—	1.67-0.75	0.167-0.5	6.00 (152)	7.50 (191)	16.00 (406)	127 (57.6)	—
143	—	1	0.75	6.13 (156)	8.63 (219)	17.25 (438)	150 (68.0)	153 (69.4)
145	—	1.5	—	6.13 (156)	8.63 (219)	17.25 (438)	157 (71.2)	161 (73.0)
145	3	2	—	6.13 (156)	8.63 (219)	17.25 (438)	159 (72.1)	202 (91.6)
182	5	—	—	7.50 (191)	10.38 (264)	19.26 (489)	161 (73.0)	211 (95.7)
184	7.5	—	—	7.50 (191)	10.38 (264)	19.26 (489)	173 (78.5)	254 (115.2)
213	10	—	—	8.25 (210)	12.13 (308)	21.63 (549)	239 (108.4)	281 (127.5)
215	15	—	—	8.25 (210)	12.13 (308)	21.63 (549)	244 (110.7)	369 (167.4)

PUMP DIMENSIONS
inches (mm)

INLET	OUTLET	B	C	D	S	SD	T
2.00	2.00	4.47	4.47	7.00	8.00	15.00	4.88
(51)	(51)	(114)	(114)	(178)	(203)	(381)	(124)



SERIES 4380 PERFORMANCE CURVES



Performance curves are for reference only.
Confirm current performance data with Armstrong ACE Online selection software.

TORONTO

23 BERTRAND AVENUE
TORONTO, ONTARIO
CANADA
M1L 2P3
+1 416 755 2291

BUFFALO

93 EAST AVENUE
NORTH TONAWANDA, NEW YORK
U.S.A.
14120-6594
+1 716 693 8813

BIRMINGHAM

HEYWOOD WHARF, MUCKLOW HILL
HALESOWEN, WEST MIDLANDS
UNITED KINGDOM
B62 8DJ
+44 (0) 8444 145 145

MANCHESTER

WOLVERTON STREET
MANCHESTER
UNITED KINGDOM
M11 2ET
+44 (0) 8444 145 145

BANGALORE

#59, FIRST FLOOR, 3RD MAIN
MARGOSA ROAD, MALLESWARAM
BANGALORE, INDIA
560 003
+91 (0) 80 4906 3555

SHANGHAI

NO. 1619 HU HANG ROAD, XI DU TOWNSHIP
FENG XIAN DISTRICT, SHANGHAI
P.R.C.
201401
+86 21 3756 6696

**MAKING
ENERGY
MAKE
SENSE™**