

SERIES 4380 | VERTICAL IN-LINE PUMPS CLOSED-COUPLED | 3 × 3 × 6 | SUBMITTAL

File No: 43-706
Date: DECEMBER 05, 2014
Supersedes: 43-706
Date: NOV. 26, 2014

Job: _____ Representative: _____
 _____ Order no.: _____ Date: _____
 Engineer: _____ Submitted by: _____ Date: _____
 Contractor: _____ Approved by: _____ Date: _____

PUMP DESIGN DATA

No. of pumps: _____ Tag: _____
 Capacity: _____ USgpm (L/s) Head: _____ ft (m)
 Liquid: _____ Viscosity: _____
 Temperature: _____ °F (°C) Specific gravity: _____
 Suction: 3"(75mm) Discharge: 3"(75mm)

MOTOR DESIGN DATA

HP: _____ RPM: _____ Frame size: _____ Enclosure: _____
 Volts: _____ Hertz: 60 Hz Phase: 3
 Efficiency: Energy EFF 12.11 NEMA premium 12.12

MATERIALS OF CONSTRUCTION

ANSI FLANGE RATING	ANSI 125	ANSI 250
Construction	<input type="checkbox"/> BF	<input type="checkbox"/> DBF
Casing	Cast iron	Ductile iron
Adapter	Cast iron	Ductile iron

Impeller: Bronze

Gasket: Confined non-asbestos fiber

Shaft: Carbon steel

Shaft sleeve: Bronze

Flush line: Braided stainless steel

MAXIMUM PUMP OPERATING CONDITIONS

ANSI 125

175 psig at 150°F (12 bars at 65°C)
 140 psig at 250°F (10 bars at 121°C)

ANSI 250

300 psig at 150°F (20 bars at 65°C)
 250 psig at 250°F (17 bars at 121°C)

- Tolerance of ±0.125" (±3 mm) should be used
- See performance curves on page 3
- For exact installation, data please write factory for certified dimensions
- Pump equipped with casing drain plug and ¼" NPT suction and discharge gauge ports

MECHANICAL SEAL DATA

Seal type: 2A **Stationary seat:** Silicone carbide
Secondary seal: EPDM **Rotating hardware:** Stainless steel
Spring: Stainless steel

OPTIONAL EQUIPMENT

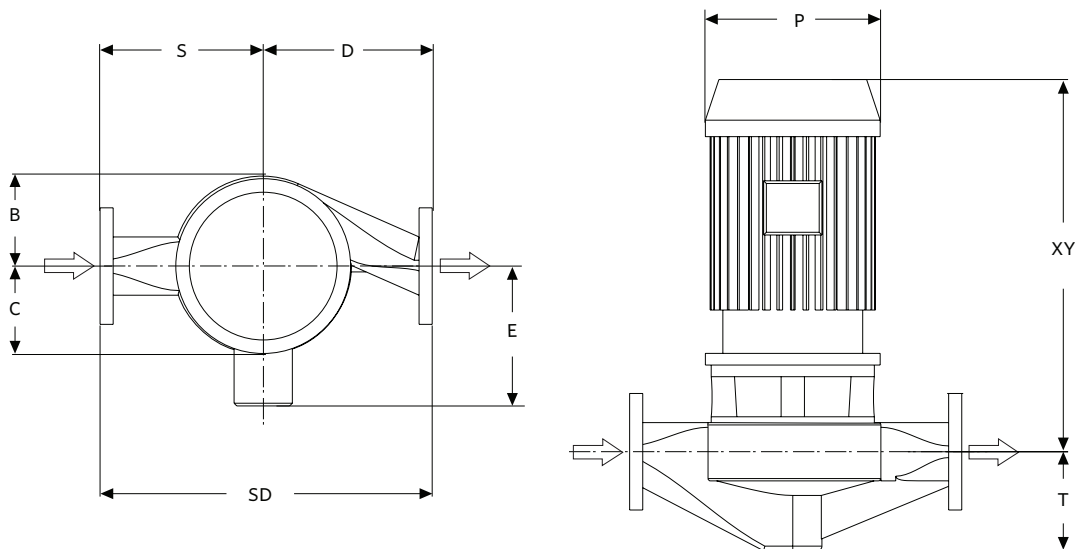
FLUID TYPE	ALL GLYCOLS > 30% WT CONC		ALL OTHER NON-POTABLE FLUIDS		POTABLE (DRINKING) WATER	
	up to 200°F (93°C)	over 200°F (93°C)	up to 200°F (93°C)	over 200°F (93°C)	up to 200°F (93°C)	over 200°F (93°C)
Rotating face	Silicone carbide		Resin bonded carbon	Antimony loaded carbon	Resin bonded carbon	
Seat elastomer	EPDM (L-cup)	EPDM (O-ring)	EPDM (L-cup)	EPDM (O-ring)	EPDM (L-cup)	EPDM (O-ring)
Material code	SCSC L EPSS 2A	SCSC O EPSS 2A	C-SC L EPSS 2A	ACSC O EPSS 2A	C-SC L EPSS 2A	C-SC O EPSS 2A

MOTOR FRAME	HORSEPOWER - @ RPM ODP & TEFC			DIMENSIONS inches (mm)			SHIP. WEIGHT lbs (kgs)	
	3600	1800	1200	E	P	XY	ODP	TEFC
56	—	0.75	0.167- 0.5	6.00 (152)	7.50 (191)	16.00 (406)	148 (67.1)	—
143	—	1	0.75	6.13 (156)	8.63 (219)	17.25 (438)	166 (75.3)	169 (76.7)
145	—	1.5	—	6.13 (156)	8.63 (219)	17.25 (438)	173 (78.5)	177 (80.3)
145	3	2	—	6.13 (156)	8.63 (219)	17.25 (438)	175 (79.4)	218 (98.9)
182	5	3	—	7.50 (191)	10.38 (264)	19.25 (489)	177 (80.3)	227 (103.0)
184	7.5	—	—	7.50 (191)	10.38 (264)	19.25 (489)	189 (85.7)	270 (122.5)
213	10	—	—	8.25 (210)	12.13 (308)	21.63 (549)	255 (115.7)	297 (134.7)
215	15	—	—	8.25 (210)	12.13 (308)	21.63 (549)	260 (117.9)	385 (174.6)
254	15	—	—	9.94 (252)	14.19 (360)	27.97 (710)	—	426 (193.2)

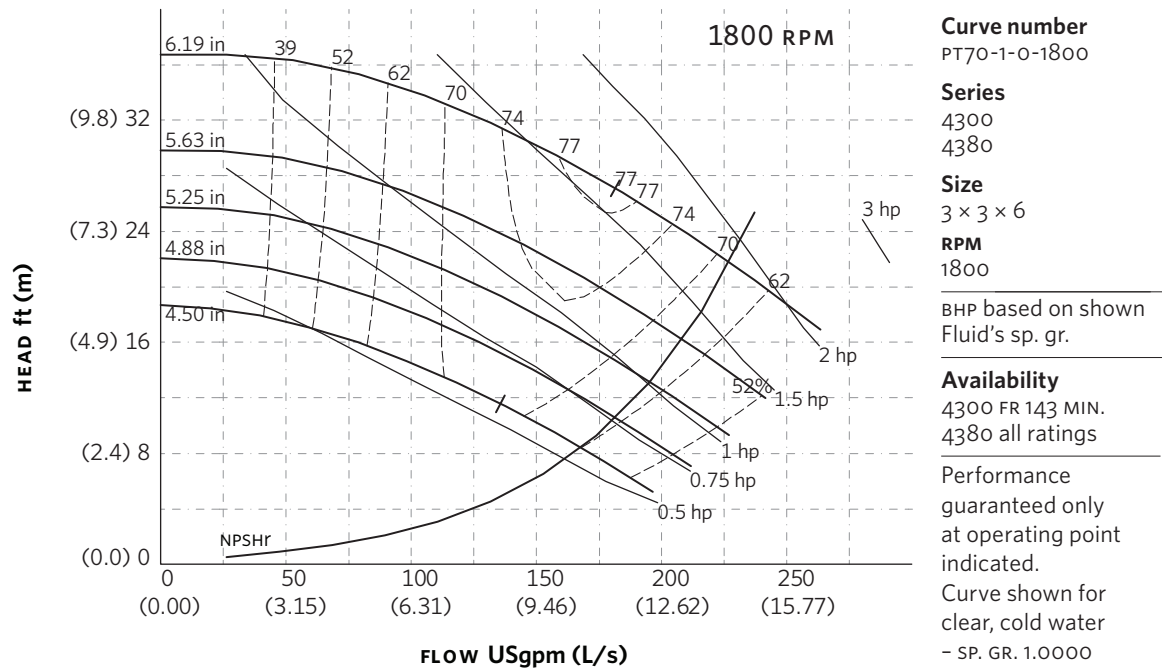
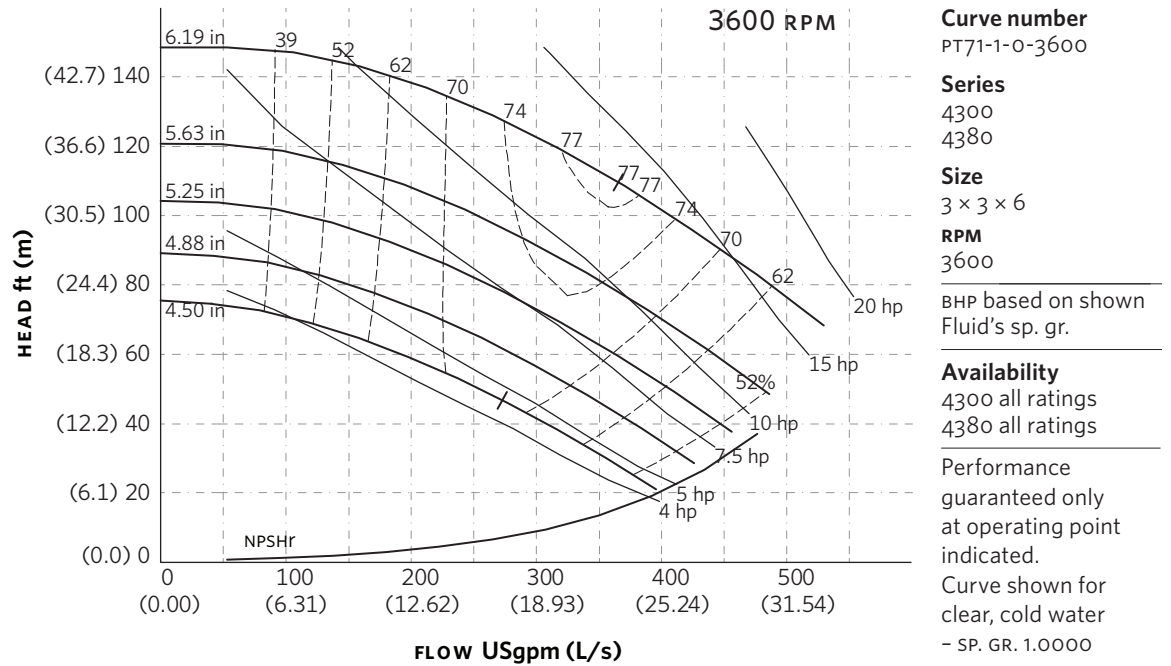
PUMP DIMENSIONS

inches (mm)

INLET	OUTLET	B	C	D	S	SD	T
3.00	3.00	5.80	4.65	8.25	9.75	18.00	6.00
(76)	(76)	(147)	(118)	(210)	(248)	(457)	(152)



SERIES 4380 PERFORMANCE CURVES



Performance curves are for reference only.
Confirm current performance data with Armstrong ACE Online selection software.

TORONTO

23 BERTRAND AVENUE
TORONTO, ONTARIO
CANADA
M1L 2P3
+1 416 755 2291

BUFFALO

93 EAST AVENUE
NORTH TONAWANDA, NEW YORK
U.S.A.
14120-6594
+1 716 693 8813

BIRMINGHAM

HEYWOOD WHARF, MUCKLOW HILL
HALESOWEN, WEST MIDLANDS
UNITED KINGDOM
B62 8DJ
+44 (0) 8444 145 145

MANCHESTER

WOLVERTON STREET
MANCHESTER
UNITED KINGDOM
M11 2ET
+44 (0) 8444 145 145

BANGALORE

#59, FIRST FLOOR, 3RD MAIN
MARGOSA ROAD, MALLESWARAM
BANGALORE, INDIA
560 003
+91 (0) 80 4906 3555

SHANGHAI

NO. 1619 HU HANG ROAD, XI DU TOWNSHIP
FENG XIAN DISTRICT, SHANGHAI
P.R.C.
201401
+86 21 3756 6696

**MAKING
ENERGY
MAKE
SENSE™**