

SERIES 4380 | VERTICAL IN-LINE PUMPS CLOSED-COUPLED | 8 × 8 × 13 | SUBMITTAL

File No: 43-748
Date: JAN. 27, 2015
Supersedes: 43-748
Date: NOV. 26, 2014

Job: _____ Representative: _____
 _____ Order no.: _____ Date: _____
 Engineer: _____ Submitted by: _____ Date: _____
 Contractor: _____ Approved by: _____ Date: _____

PUMP DESIGN DATA

No. of pumps: _____ Tag: _____
 Capacity: _____ USgpm (L/s) Head: _____ ft (m)
 Liquid: _____ Viscosity: _____
 Temperature: _____ °F (°C) Specific gravity: _____
 Suction: 8" (200mm) Discharge: 8" (200mm)

MOTOR DESIGN DATA

HP: _____ RPM: _____ Frame size: _____ Enclosure: _____
 Volts: _____ Hertz: 60 Hz Phase: 3
 Efficiency: Energy EFF 12.11 NEMA premium 12.12

MATERIALS OF CONSTRUCTION

ANSI FLANGE RATING	ANSI 125	ANSI 250
Construction	<input type="checkbox"/> BF	<input type="checkbox"/> DBF
Casing	Cast iron	Ductile iron
Adapter	Cast iron	Ductile iron

Impeller: Bronze

Gasket: Confined non-asbestos fiber

Shaft: Carbon steel

Shaft sleeve: Bronze

Flush line: Braided stainless steel

MAXIMUM PUMP OPERATING CONDITIONS

ANSI 125

175 psig at 150°F (12 bars at 65°C)
 140 psig at 250°F (10 bars at 121°C)

ANSI 250

300 psig at 150°F (20 bars at 65°C)
 250 psig at 250°F (17 bars at 121°C)

- Tolerance of ±0.125" (±3 mm) should be used
- See performance curves on page 3
- For exact installation, data please write factory for certified dimensions
- Pump equipped with casing drain plug and ¼" NPT suction and discharge gauge ports

MECHANICAL SEAL DATA

Seal type: 2A **Stationary seat:** Silicone carbide
Secondary seal: EPDM **Rotating hardware:** Stainless steel
Spring: Stainless steel

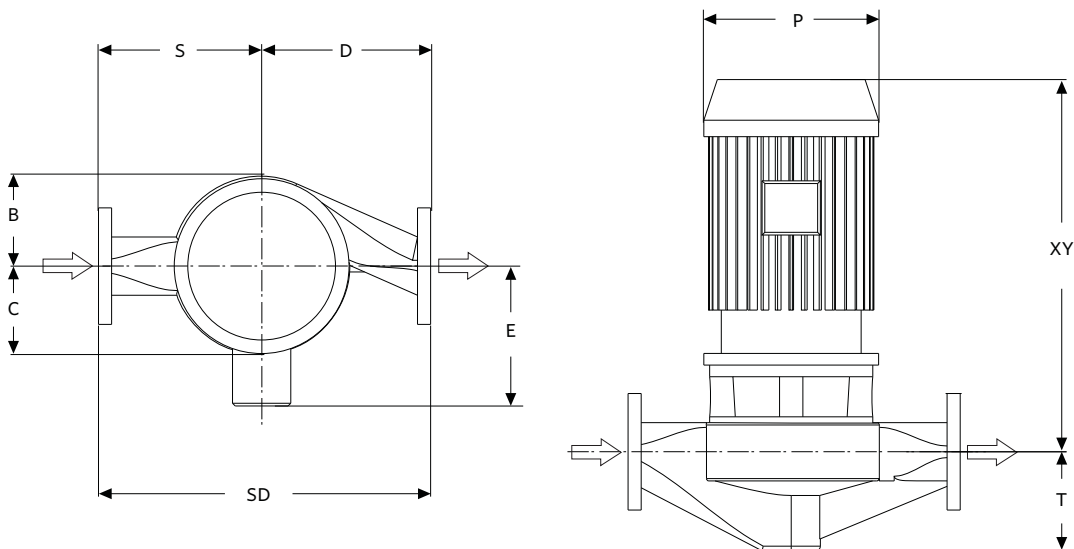
OPTIONAL EQUIPMENT

FLUID TYPE	ALL GLYCOLS > 30% WT CONC		ALL OTHER NON-POTABLE FLUIDS		POTABLE (DRINKING) WATER	
	up to 200°F (93°C)	over 200°F (93°C)	up to 200°F (93°C)	over 200°F (93°C)	up to 200°F (93°C)	over 200°F (93°C)
Rotating face	Silicone carbide		Resin bonded carbon	Antimony loaded carbon	Resin bonded carbon	
Seat elastomer	EPDM (L-cup)	EPDM (O-ring)	EPDM (L-cup)	EPDM (O-ring)	EPDM (L-cup)	EPDM (O-ring)
Material code	SCSC L EPSS 2A	SCSC O EPSS 2A	C-SC L EPSS 2A	ACSC O EPSS 2A	C-SC L EPSS 2A	C-SC O EPSS 2A

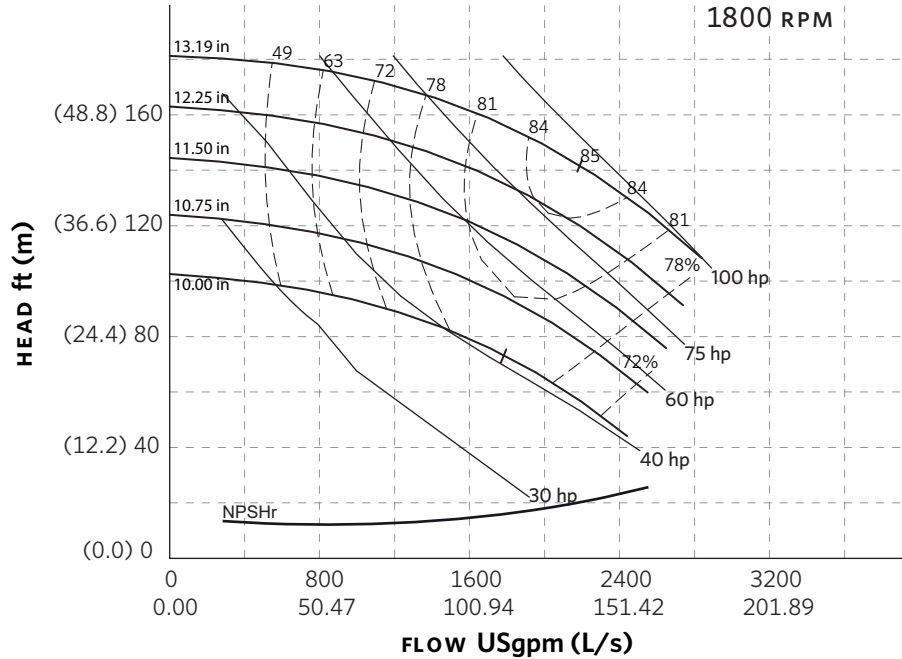
MOTOR	HORSEPOWER @ RPM		DIMENSIONS inches (mm)			SHIP. WEIGHT	
	ODP & TEFC		E	P	XY	ODP	TEFC
FRAME	1800	1200					
254	—	7.5	9.94 (252)	12.13 (308)	25.26 (642)	628 (284.9)	827 (375.1)
256	—	10	9.94 (252)	12.13 (308)	25.26 (642)	816 (370.1)	854 (387.4)
284	—	15	10.81 (275)	11.50 (292)	31.01 (788)	943 (427.7)	958 (434.5)
286	30	20	10.81 (275)	11.50 (292)	31.01 (788)	998 (452.7)	1016 (460.8)
324	40	—	10.81 (275)	14.19 (360)	32.26 (819)	1089 (494.0)	1074 (487.2)
326	50	—	10.81 (275)	14.19 (360)	32.26 (819)	1155 (523.9)	1118 (507.1)

PUMP DIMENSIONS
inches (mm)

B	C	D	S	SD	T	INLET	OUTLET
11.25	9.81	19.00	23.00	42.00	9.94	8.00	8.00
(286)	(249)	(483)	(584)	(1067)	(252)	(203)	(203)



SERIES 4380 PERFORMANCE CURVES



Curve number
PT664-0-0-1800

Series
4300
4380

Size
8 × 8 × 13

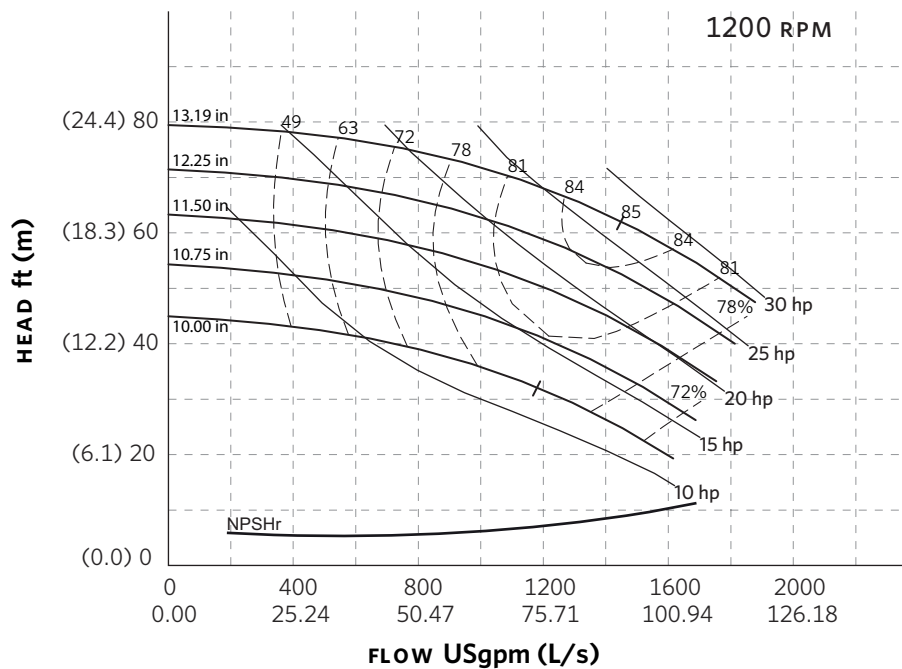
RPM
1800

BHP based on shown
Fluid's sp. gr.

Availability
4300 all ratings
4380 FR 326 Max.

Performance
guaranteed only
at operating point
indicated

Curve shown for
clear, cold water
- SP. GR. 1.000



Curve number
PT664-0-0-1200

Series
4300
4380

Size
8 × 8 × 13

RPM
1200

BHP based on shown
Fluid's sp. gr.

Availability
4300 all ratings
4380 all ratings

Performance
guaranteed only
at operating point
indicated

Curve shown for
clear, cold water
- SP. GR. 1.000

Performance curves are for reference only.

Confirm current performance data with Armstrong ACE Online selection software.

TORONTO

23 BERTRAND AVENUE
TORONTO, ONTARIO
CANADA
M1L 2P3
+1 416 755 2291

BUFFALO

93 EAST AVENUE
NORTH TONAWANDA, NEW YORK
U.S.A.
14120-6594
+1 716 693 8813

BIRMINGHAM

HEYWOOD WHARF, MUCKLOW HILL
HALESOWEN, WEST MIDLANDS
UNITED KINGDOM
B62 8DJ
+44 (0) 8444 145 145

MANCHESTER

WOLVERTON STREET
MANCHESTER
UNITED KINGDOM
M11 2ET
+44 (0) 8444 145 145

BANGALORE

#59, FIRST FLOOR, 3RD MAIN
MARGOSA ROAD, MALLESWARAM
BANGALORE, INDIA
560 003
+91 (0) 80 4906 3555

SHANGHAI

NO. 1619 HU HANG ROAD, XI DU TOWNSHIP
FENG XIAN DISTRICT, SHANGHAI
P.R.C.
201401
+86 21 3756 6696

**MAKING
ENERGY
MAKE
SENSE™**